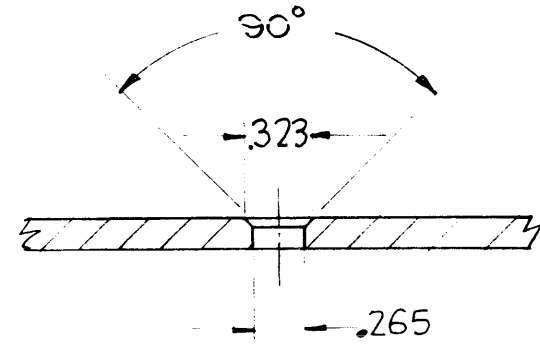
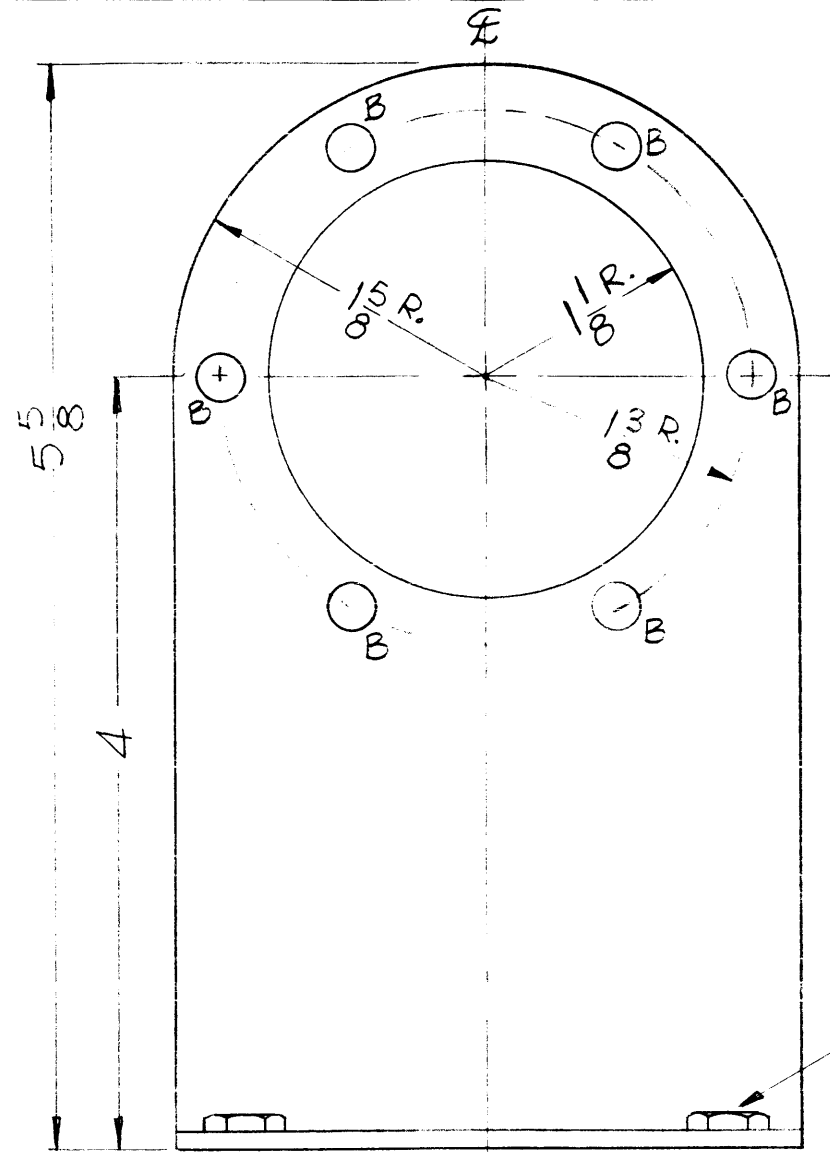


MS-2676



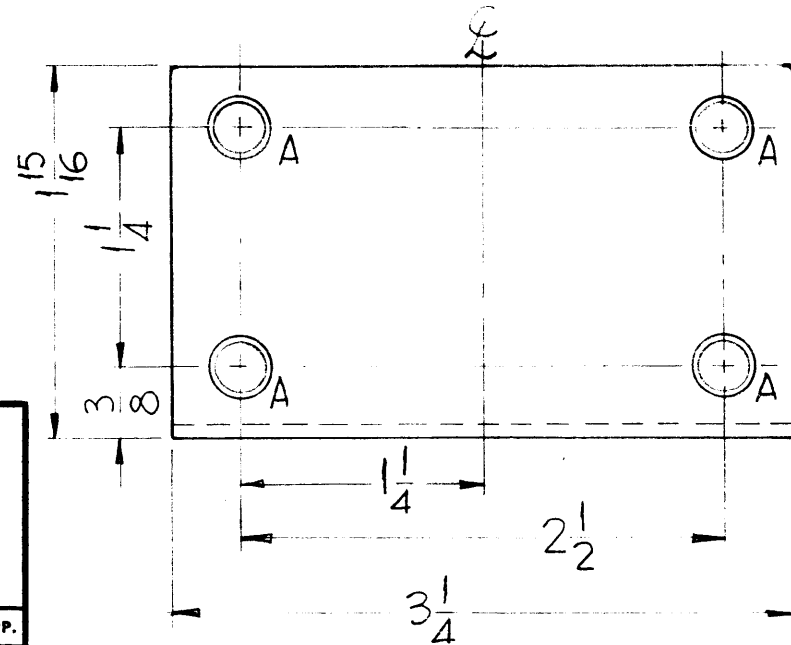
A ~ DETAIL FOR MOUNTING SM-107-54 (4 REQ.)

B ~ 1/4 DIA. HOLES EQUALLY SPACED 60° APART ON 1 3/8 R. (6 REQ.)

NOTE:
ROUND ALL EDGES

NOTICE TO PERSONS RECEIVING THIS DRAWING
 THE TECHNICAL MATERIEL CORPORATION claims proprietary right in the material disclosed hereon. This drawing is issued in confidence for engineering information only and may not be reproduced or used to manufacture anything shown hereon without permission from THE TECHNICAL MATERIEL CORPORATION to the user. This drawing is loaned for mutual assistance and is subject to recall at any time.

Property of:
 THE TECHNICAL MATERIEL CORPORATION
 MAMARONECK, NEW YORK



REF ~ (1) LD-836

SYM	DESCRIPTION	DATE	CH. NO.	DRAFTS	CHECKER	ENG. APP.
UNLESS OTHERWISE SPECIFIED:						
DIMENSIONS ARE IN INCHES		SCALE:				
TOLERANCES ON FRACTIONS ± 1/64 DECIMALS ± .005 ANGLES ± 1/2°		MAXIMUM ALLOWABLE TOLERANCES HAVE BEEN DETERMINED AND ANY DEVIATIONS WILL BE CAUSE FOR REJECTION. REMOVE ALL BURRS AND SHARP EDGES				

REQ. PER UNIT	MODEL	SECTION	ASS'Y. NO.	DATE
1	GPT-40K	AX-275		11-4-61
USED ON				

REQ.	ITEM	PART NO.	DESCRIPTION	SYMBOL
4	1	SM-107-54	INSERT, HEX (10-32)	
		.081	THE TECHNICAL MATERIEL CORP. MAMARONECK, NEW YORK	
		ALUMINUM	BRACKET, BY PASS CAPACITOR	
		5052-H32		
		S-404 YEL IRIDITE		

TYPE & TEMPER	HEAT TREAT. SPEC.	DRAWN	CHECKER	FINAL APPROVAL
		<i>D. J. Mann</i>	<i>W. C.</i>	<i>J. B.</i>
		<i>aa</i>	<i>MS-2676</i>	