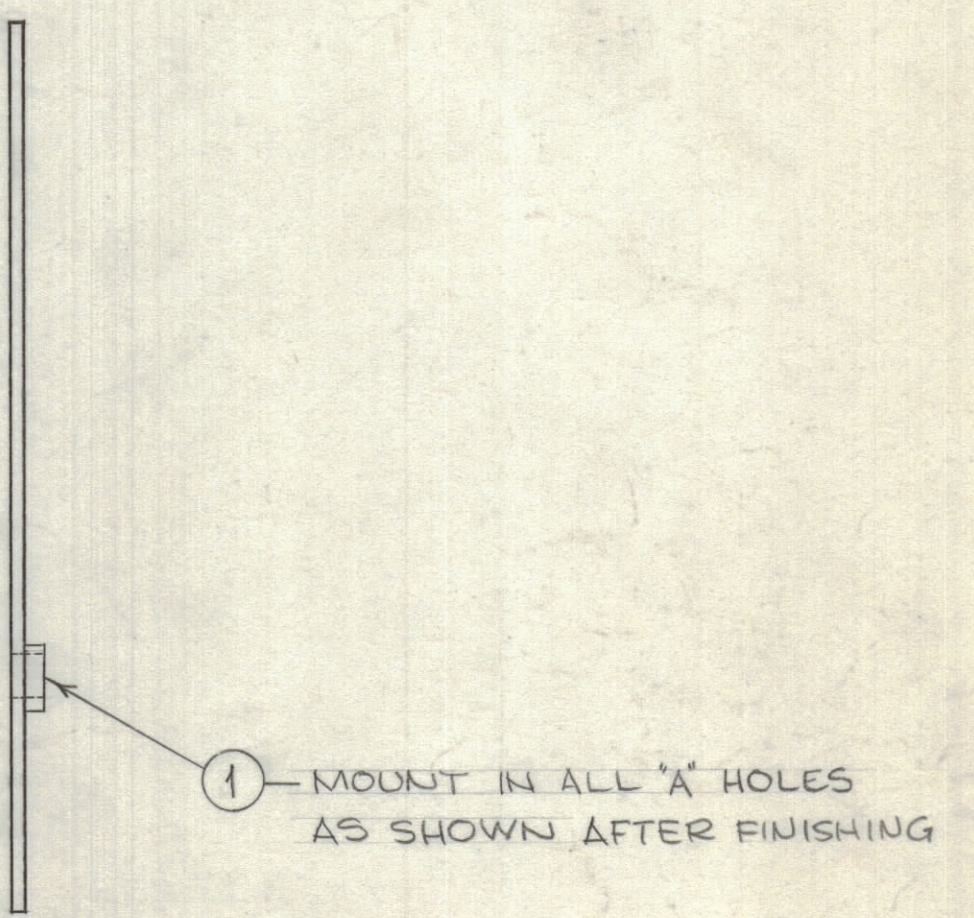
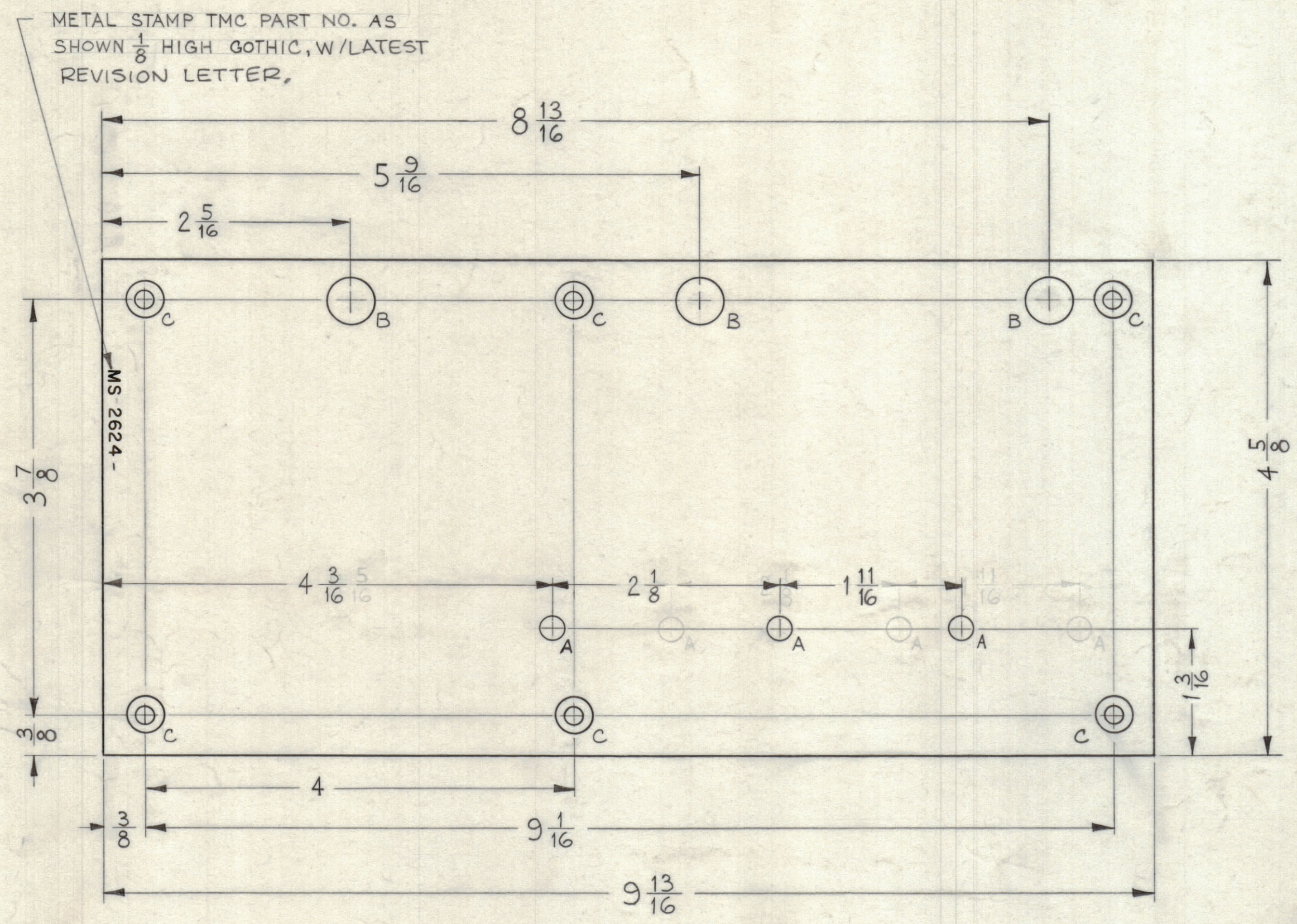
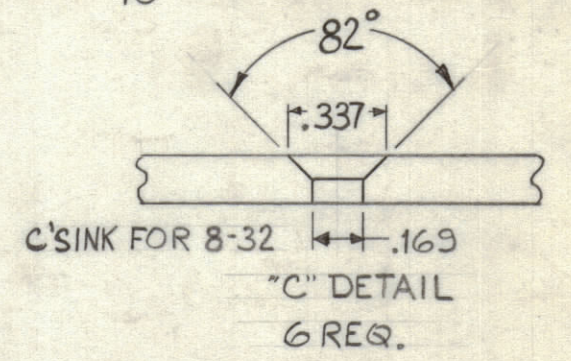


A ~ .277 - .280 DIA. 3 REQ.  
 B ~ 7/16 DIA. 3 REQ.



METAL STAMP TMC PART NO. AS SHOWN 1/8 HIGH GOTHIC, W/LATEST REVISION LETTER,

UNLESS OTHERWISE SPECIFIED DIMENSIONS ARE IN INCHES AND INCLUDE CHEMICALLY APPLIED OR PLATED FINISHES

DECIMALS	FRACTIONS
.x ± .05	± 1/64
.xx ± .01	± 1/64
.xxx ± .005	± 1/64

TOLERANCES

ANGLES ± 30°

CUT HERE GUARANTEED 2-66

3	1	NT129-1224-4	NUT, ROUND SWAGE TYPE	A
REQ. ITEM	PART NO.		DESCRIPTION	SYMBOL
	.064		THE TECHNICAL MATERIEL CORP.	
	ALUMINUM		MAMARONECK, NEW YORK	
	5052-H32		COVER PLATE	
	S404 YELL. IRIDITE		(POWER SUPPLY)	
			DRAWN	CHECKED
				FINAL APPROVAL
				MS 2624
				A

1	GPE-1			6-7-61
REQ. PER UNIT	MODEL	SECTION	ASS'Y. NO.	DATE

UNLESS OTHERWISE SPECIFIED:		SCALE FULL (DO NOT SCALE).	
DIMENSIONS ARE IN INCHES		MAXIMUM ALLOWABLE TOLERANCES HAVE BEEN DETERMINED AND ANY DEVIATIONS WILL BE CAUSE FOR REJECTION. REMOVE ALL BURRS & SHARP EDGES	
TOLERANCES ON			
FRACTIONS ± 1/64	DECIMALS ± .005	ANGLES ± 1/2°	