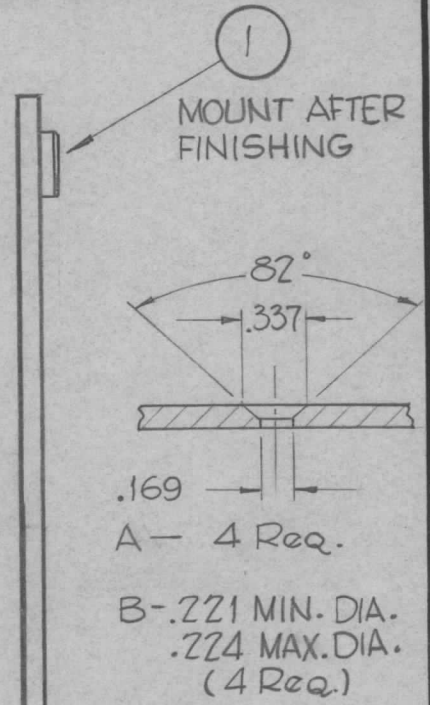
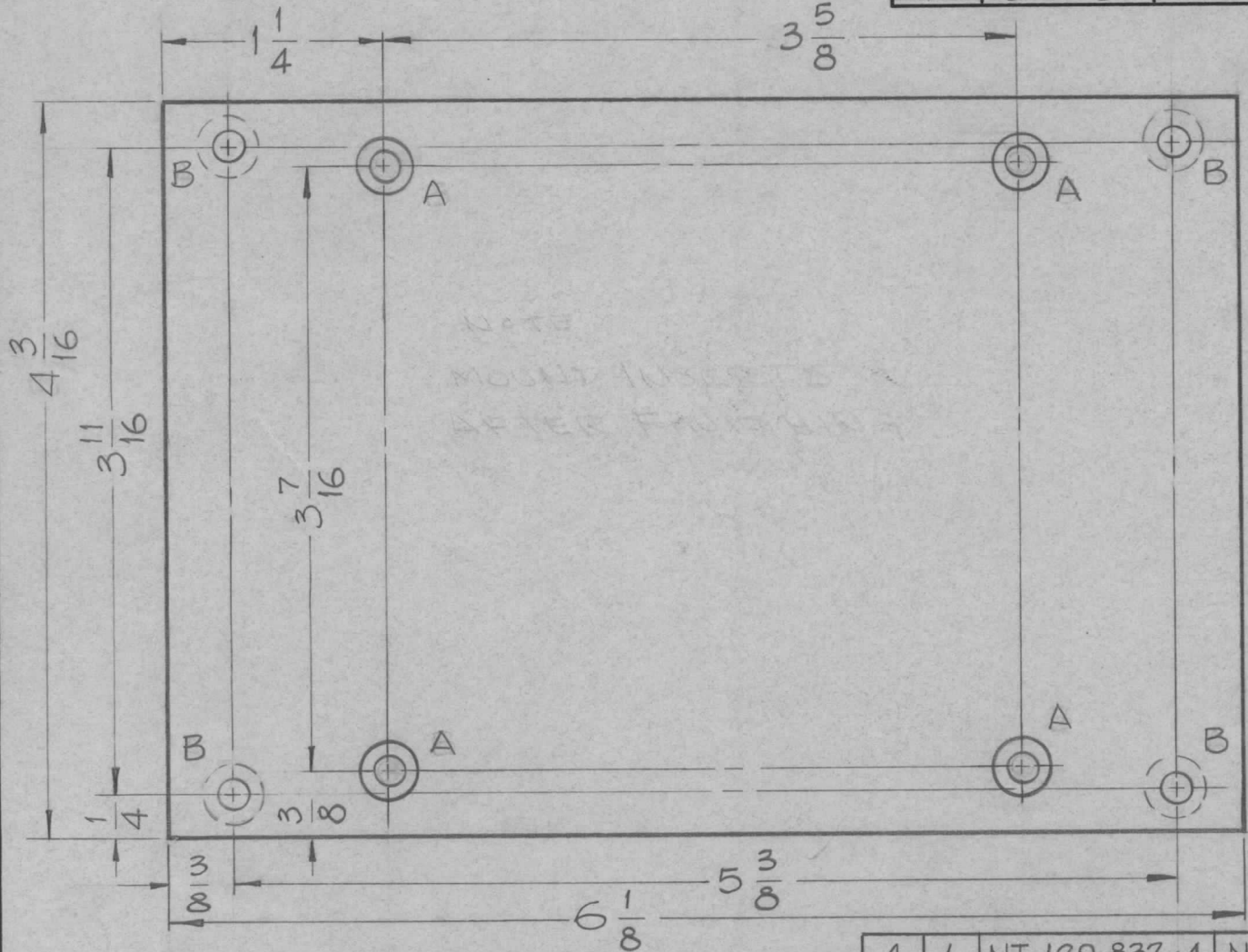


REQ. PER UNIT	USED ON			MS-2543
	MODEL	ASS'Y. NO.	DATE	
1	CPP-5		2-27-61	



4	1	NT-129-832-4	NUT, ROUND, SWAGE TYPE				
REQ.	ITEM	PART NO.	DESCRIPTION	SYMBOL			
		1/8	THE TECHNICAL MATERIEL CORP.				
		STOCK SIZE	MAMARONECK, NEW YORK				
		ALUMINUM	PLATE, CAPACITOR MTG.				
		MATERIAL					
ISSUE	ITEM	CHANGED FROM	DATE	CH. NO.	DRAFTS	CHECKER	ENG. APP.
TOLERANCES			SCALE: FULL, DO NOT SCALE				
DEC. DIM. ±			MAXIMUM ALLOWABLE TOLERANCES HAVE BEEN DETERMINED AND ANY DEVIATIONS WILL BE CAUSE FOR REJECTION: REMOVE ALL BURRS AND SHARP EDGES				
FRAC. DIM. ± 1/64							
ANGULAR DIM. ±							
5052-H32			J.C. Biela				
TYPE & TEMPER		HEAT TREAT. SPEC.	DRAWN	CHECKED	FINAL APPROVAL		
5404-Yellow Iridite					MS-2543		
FINISH & SPEC. NO.			ELEC. DES. APP	MECH. DES. APP			