

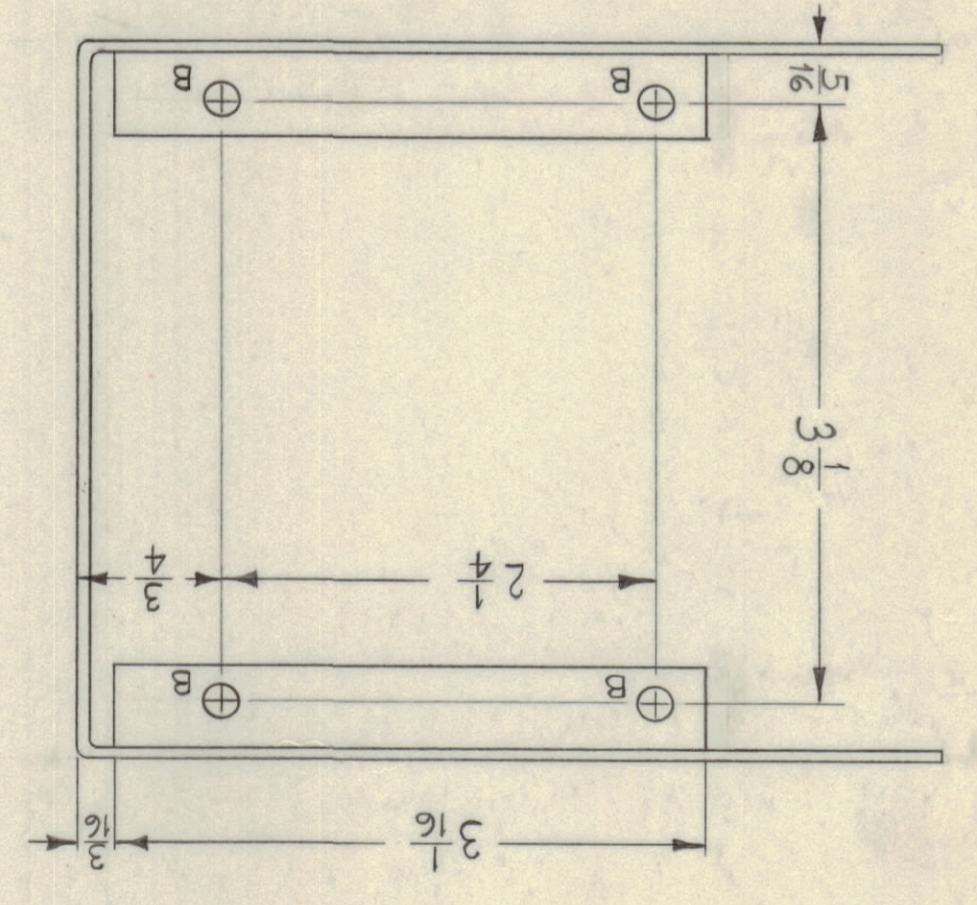
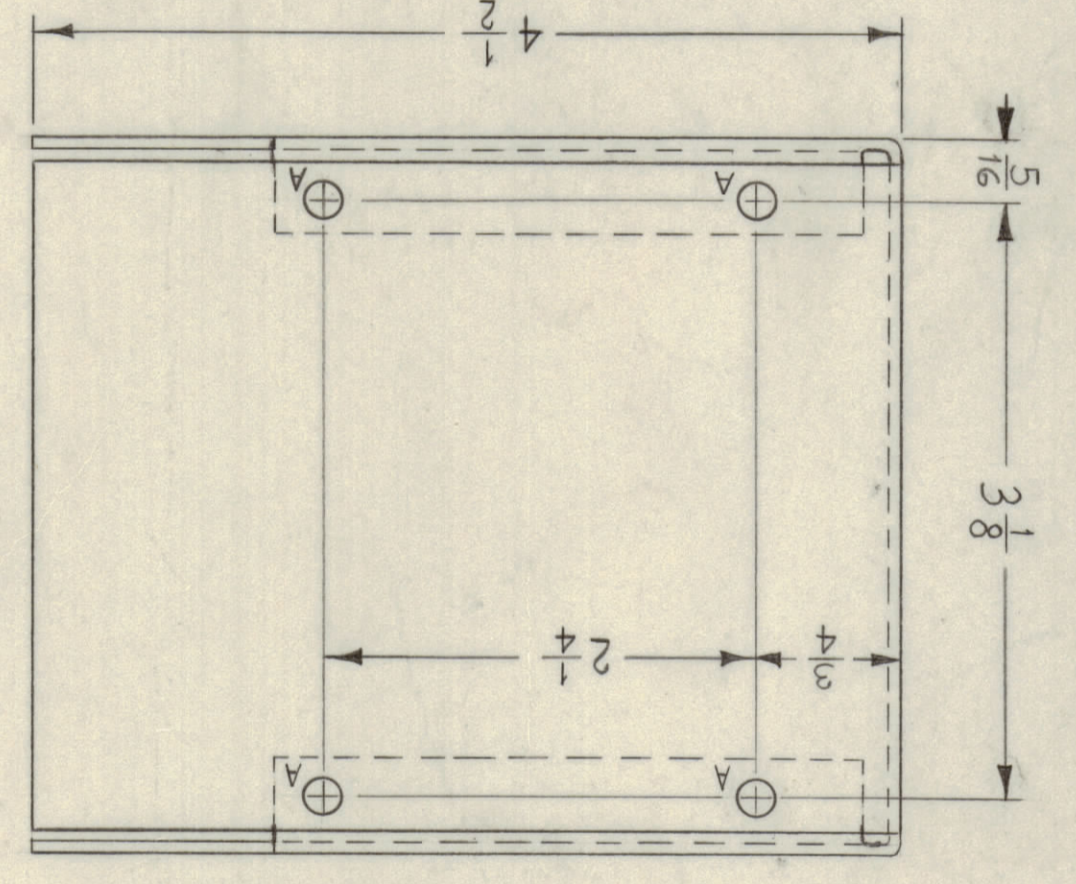
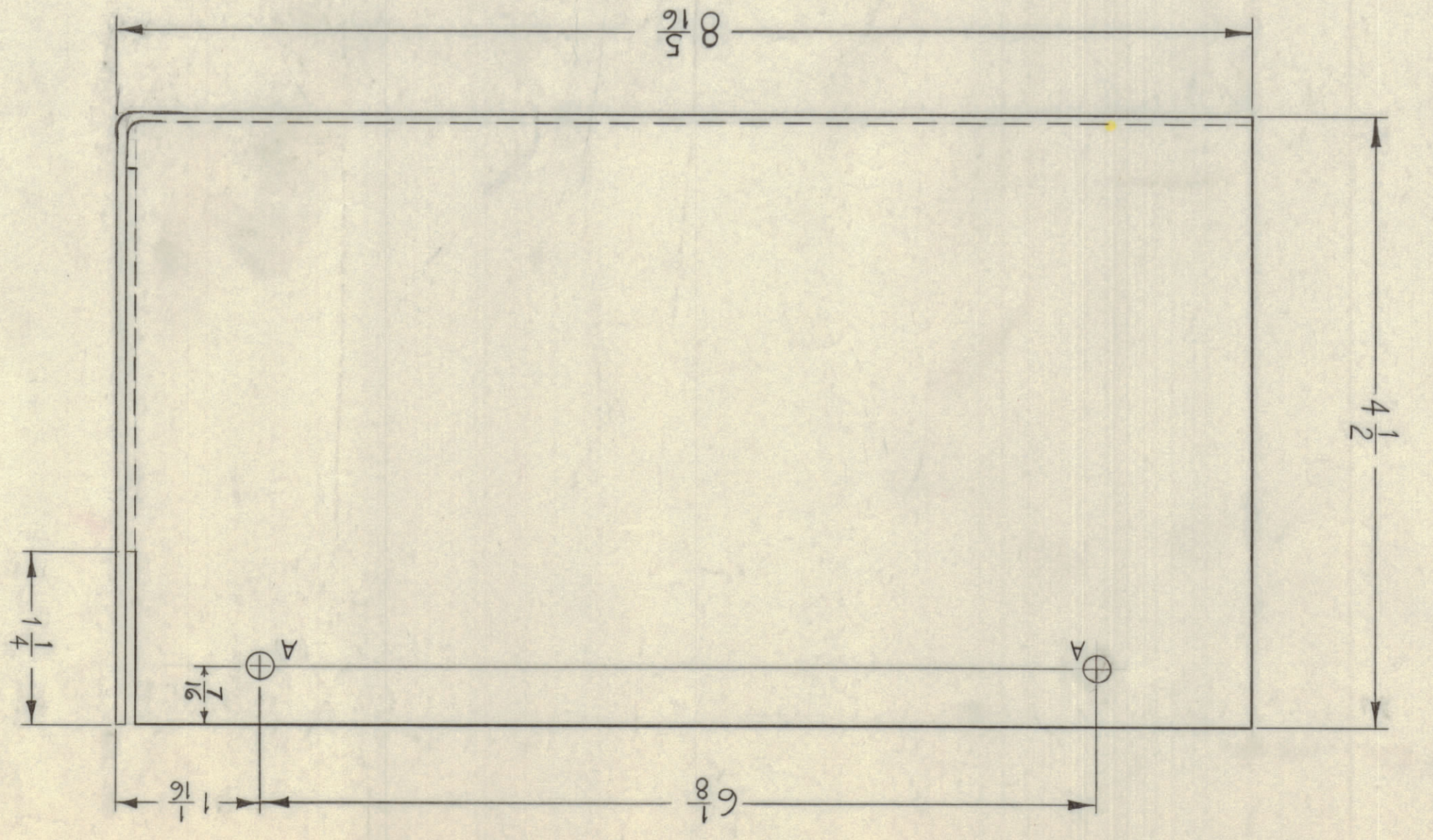
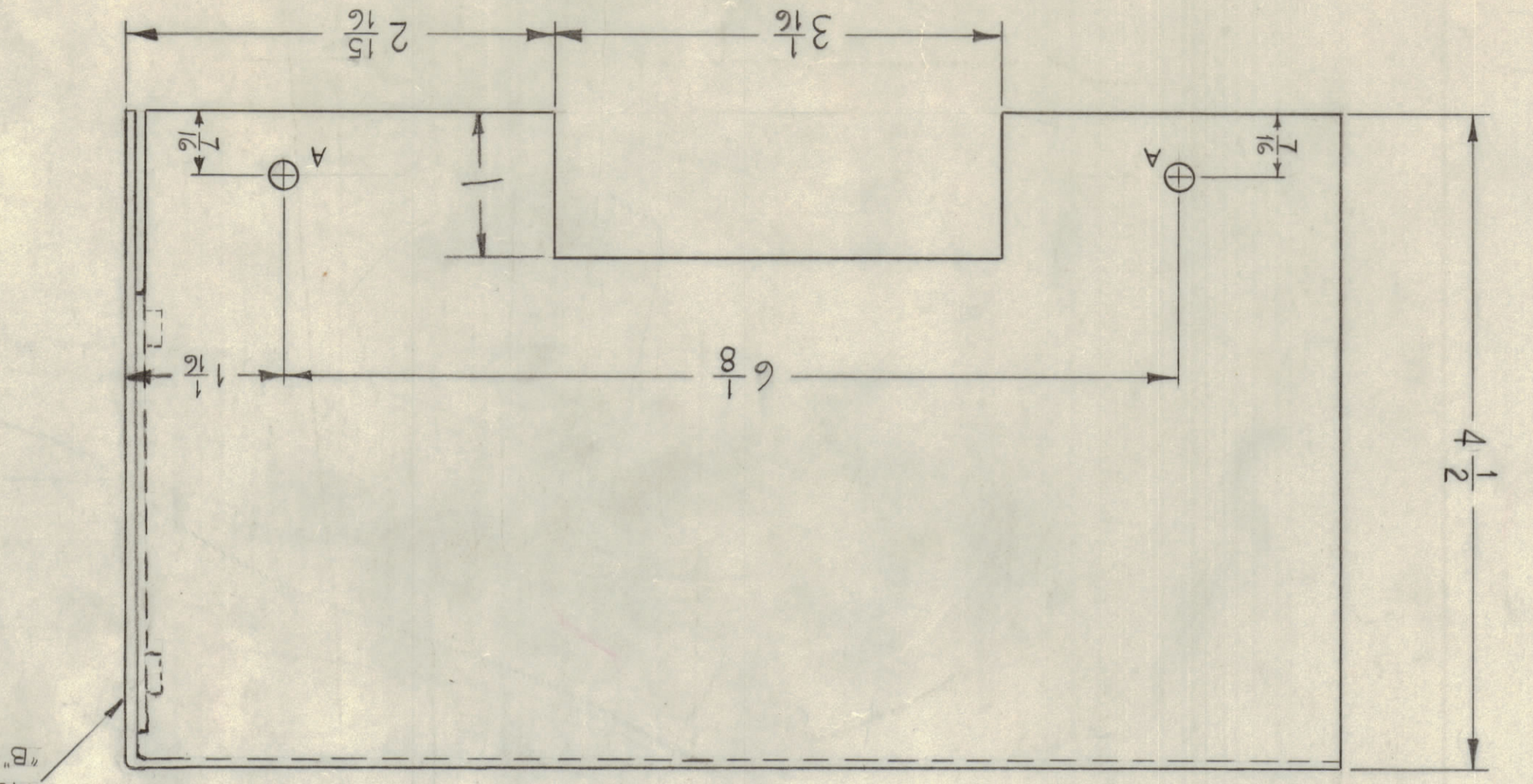
FINISH & SPEC. NO.		DRAWN BY DATE		FINAL APPROVAL	
5404 YELL. IRIDITE		M.L.F. 12/30/60		FOS	
TYPE & TEMPER HEAT TREAT SPEC.		TITLE:			
5052-H32		TOP COVER, HYBRID UNIT			
MATERIAL:		SALES ORDER NUMBER		PROPOSAL NUMBER	
ALUMINUM		G-10873		G-10873	
STOCK SIZE		THE TECHNICAL MATERIAL CORP.			
.064		MAMARONECK, NEW YORK			
		SYSTEMS DEPARTMENT			

DWG NO WAS SY-1031-27

UNLESS OTHERWISE SPECIFIED
DIMENSIONS ARE IN INCHES AND INCLUDE
DIMENSIONAL TOLERANCES
CHEMICALLY APPLIED OR PLATED FINISHES
FRACTIONS
2 1/16
1/32
1/64
3/16
1/8
1/4
1/2
3/4
1
1 1/8
1 1/4
1 1/2
2
3
4
5
6
7
8
9
10
11
12
13
14
15
16
17
18
19
20
21
22
23
24
25
26
27
28
29
30
31
32
33
34
35
36
37
38
39
40
41
42
43
44
45
46
47
48
49
50
51
52
53
54
55
56
57
58
59
60
61
62
63
64
65
66
67
68
69
70
71
72
73
74
75
76
77
78
79
80
81
82
83
84
85
86
87
88
89
90
91
92
93
94
95
96
97
98
99
100

NOTE:
USE MATERIAL THICKNESS FOR MAX RADIUS
ON ALL BENDS UNLESS OTHERWISE SPECIFIED.

MOUNT NT-129-440 IN ALL
"B" HOLES AFTER FINISHING.



NOTICE TO PERSONS RECEIVING THIS DRAWING
THE TECHNICAL MATERIAL CORPORATION claims
proprietary right in the material disclosed herein.
Information only and may not be reproduced or used
in any manner without the written consent of
THE TECHNICAL MATERIAL CORPORATION.
This drawing is issued in confidence for engineering
assistance and is subject to recall at any time.
Property of
THE TECHNICAL MATERIAL CORPORATION
MAMARONECK, NEW YORK

MS-2521