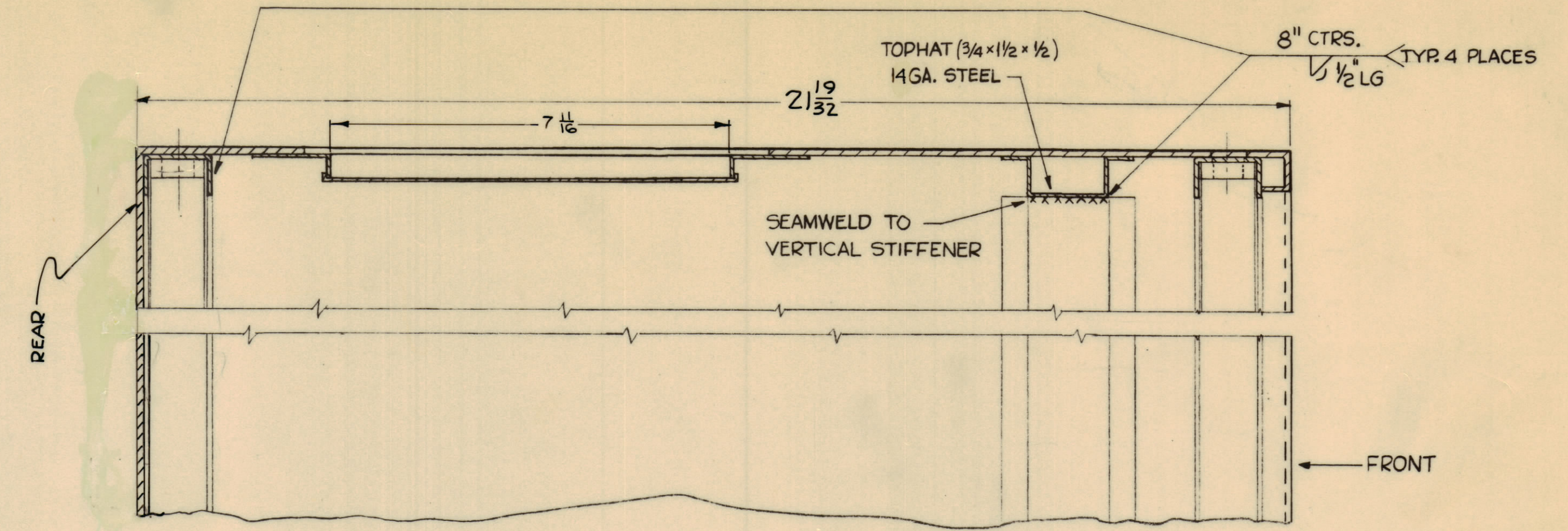
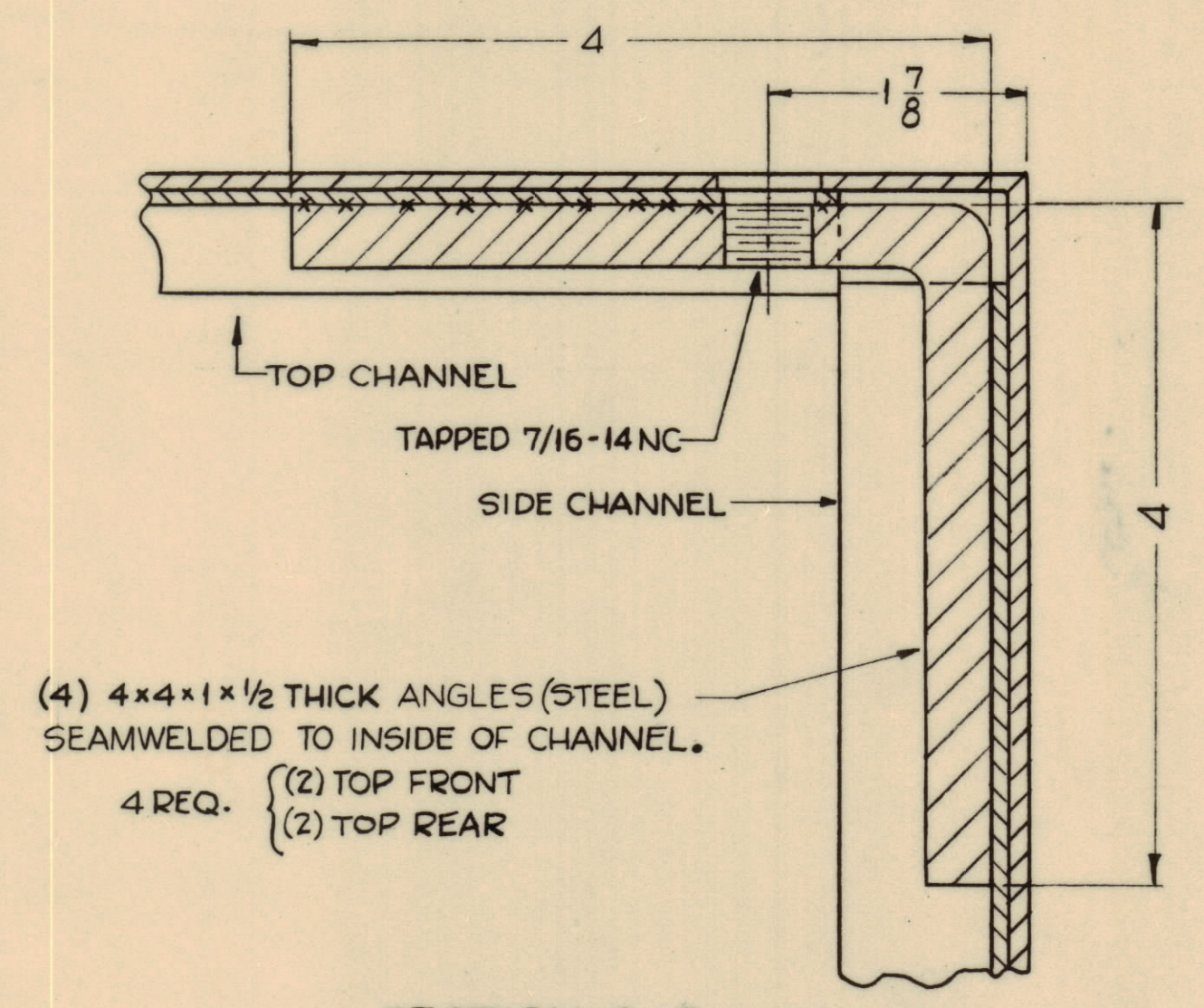


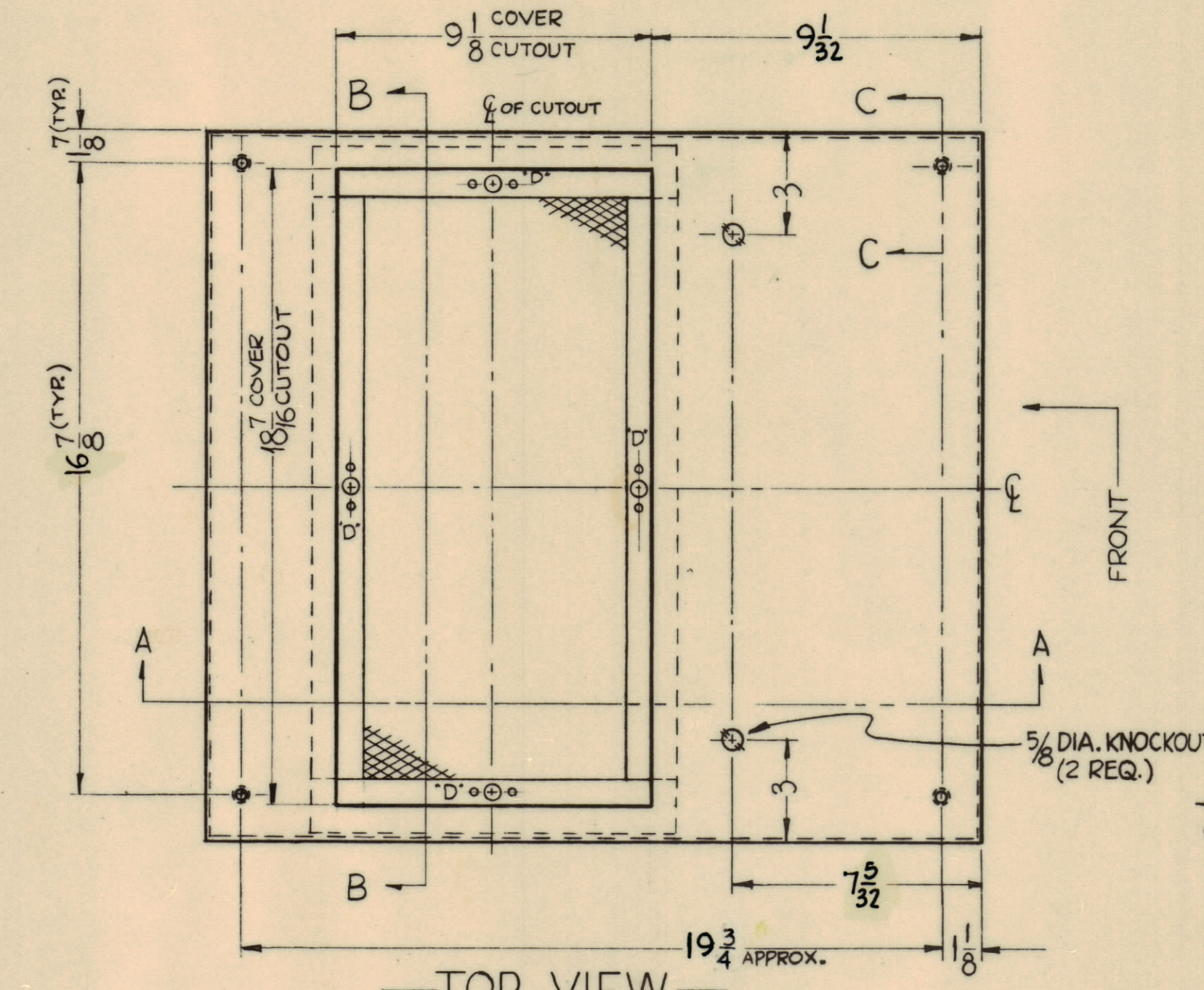
SECTION B-B



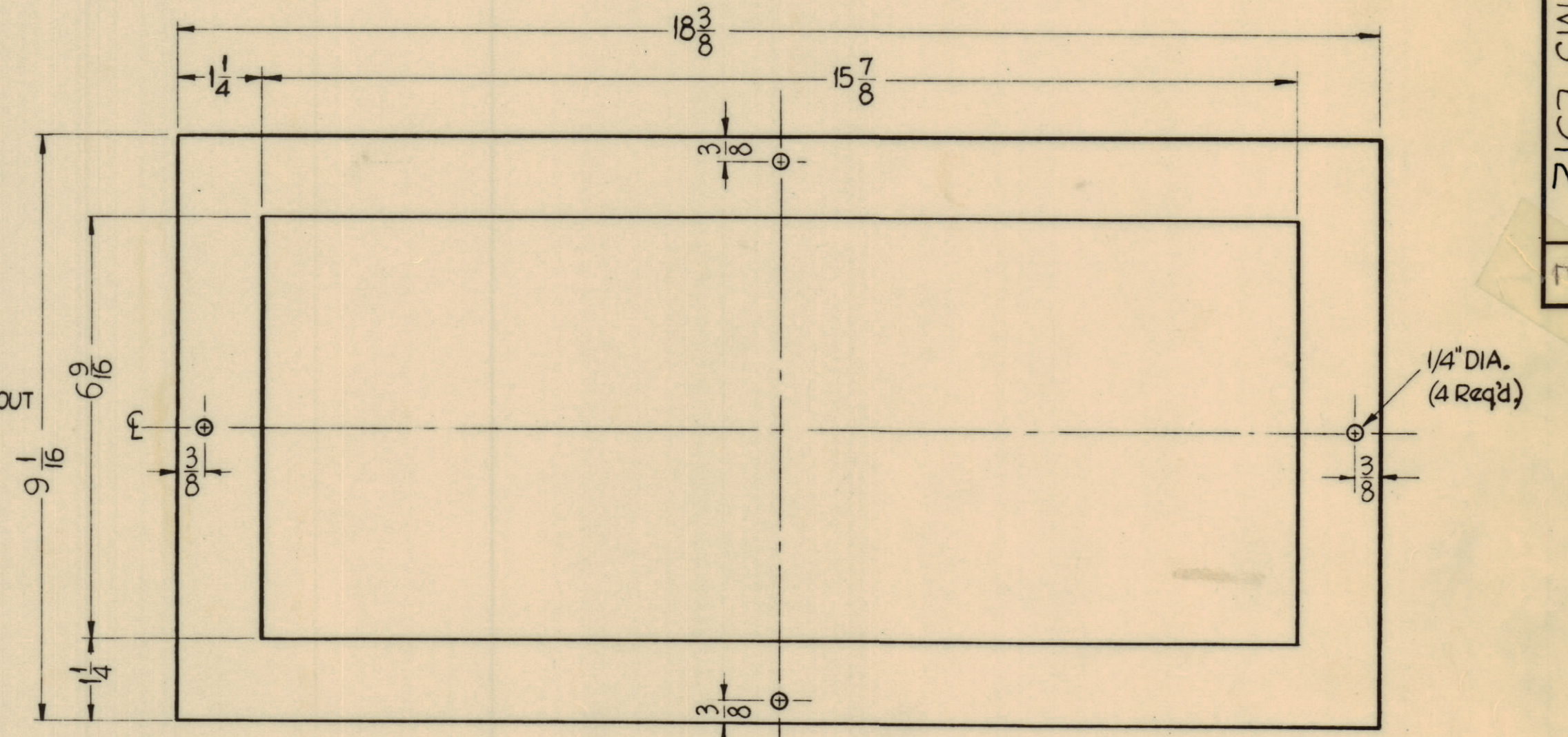
SECTION A-A



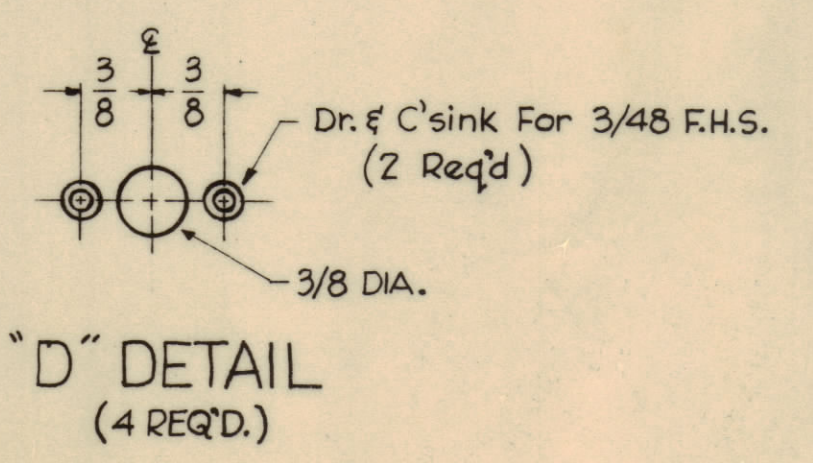
SECTION C-C (TYR)  
(Ref. Pictorial on Sheet 2.)



TOP VIEW  
(Shown with Cover Removed.)



COVER DETAIL  
NOTE - COVER TO BE SUPPLIED BY MANUFACTURER.  
REF - TMC #MS-1900 FOR STOCKING AND SPARE PARTS PURPOSES ONLY.



"D" DETAIL  
(4 REQ'D.)

SYM	ZONE	DESCRIPTION	DATE	CH. NO.	DRAFTS	CHECKER	ENG. APP.
E		SEE SHEET 3					
D	G4	7 1/8 DIM ADDED, HDWR. CLARIFIED	4-29-63	2870	SE	SK	SK
C		SEE SHEET 3	9-21-61	5613	SK	SK	SK
B		SEE SHEET 5	8-17-61	5434	S.E.	SK	SK
A		SEE SHEETS 1-2-3-4-5 TOPHAT WAS 11 GA. STEEL SECTION A-A CLARIFIED DIMENSIONS: 18 3/4 WAS 18 7/8 - 18 7/8 WAS 17 7/8	8-4-61	5359	G.D.	SK	RK

NOTICE TO PERSONS RECEIVING THIS DRAWING  
THE TECHNICAL MATERIEL CORPORATION claims proprietary right in the material disclosed herein. This drawing is issued in confidence for engineering information only and may not be reproduced or used to manufacture anything shown hereon without permission from THE TECHNICAL MATERIEL CORPORATION to the user. This drawing is loaned for mutual assistance and is subject to recall at any time.  
Property of:  
THE TECHNICAL MATERIEL CORPORATION  
MAMARONECK, NEW YORK

REQ. UNIT	ITEM	PART NO.	DESCRIPTION	SYMBOL
4	6	FS-110-1	Stud, Slotted Head	
4	5	FS-109-3	Ring, Stud Retaining	
4	4	NTH0348BN6	Nut, Hex	
4	3	LWS03MRN	Lockwasher, Split	
4	2	SCFP0348BN6	Screw, Machine	
4	1	FS-102-1	Clip, Spring "S"	

THE TECHNICAL MATERIEL CORP. MAMARONECK, NEW YORK			
RACK, BASIC			
MATERIAL	DATE	CHECKED	PIN L APPROVAL
DAK-10	7-11-61	RK	MS-2512
FINISH & SPEC. NO.	ELEC. DES. APP.	MECH. DES. APP.	SHEET 4 OF 5