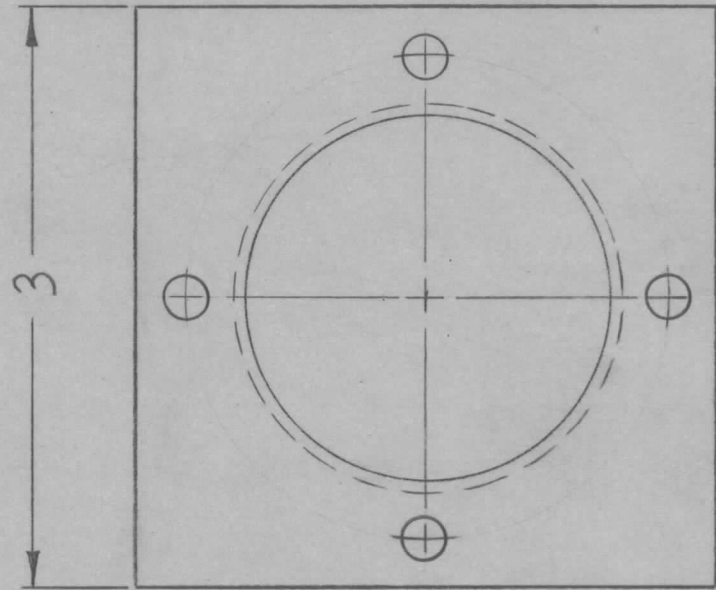
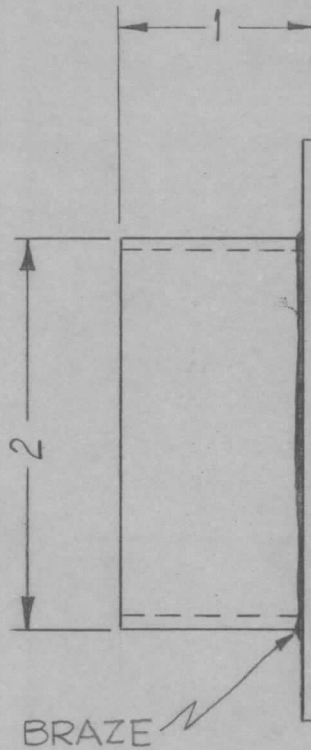
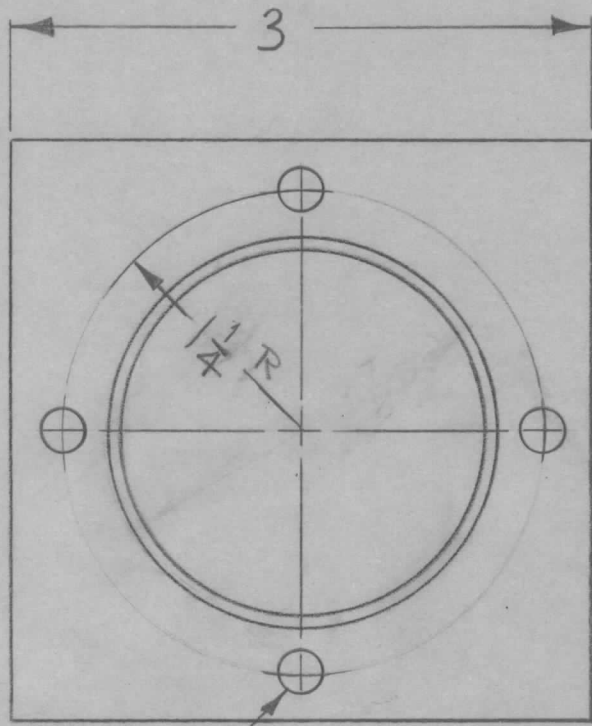


REQ. PER UNIT	USED ON			MS-2498	A
	MODEL	ASS'Y. NO.	DATE		
	GPT-40K		12-28-60		



7/32 D.
4 REQ.

REF: RY-134 (2)

UNLESS OTHERWISE SPECIFIED DIMENSIONS ARE IN INCHES AND INCLUDE CHEMICALLY APPLIED OR PLATED FINISHES	
DECIMALS	FRACTIONS
.X ± .05	± 1/64
.XX ± .01	ANGLES
.XXX ± .005	± 0° 30'

CUT HERE
GUARANTEED
2-66

REQ.	ITEM	PART NO.	DESCRIPTION				SYMBOL
		.064	THE TECHNICAL MATERIEL CORP.				
		STOCK SIZE	MAMARONECK, NEW YORK				
A	1	BRASS	MOUNTING, FLANGE				
		MATERIAL	ELBOW, AIR DUCT				
ISSUE ITEM		CHANGED FROM	DATE	CH. NO.	DRAFTS	CHECKER	ENG. APP.
			1-26-61	4014	JDM	JCB	gfm
TOLERANCES			SCALE: FULL & DO NOT SCALE				
DEC. DIM. ±			MAXIMUM ALLOWABLE TOLERANCES HAVE BEEN DETERMINED AND ANY DEVIATIONS WILL BE CAUSE FOR REJECTION.				
FRAC. DIM. ±			REMOVE ALL BURRS AND SHARP EDGES				
ANGULAR DIM. ±			1/2 H	HEAT TREAT. SPEC.	DRAWN	CHECKED	FINAL APPROVAL
			BLACK PAINT		MA.F.	Jule	ORB
			FINISH & SPEC. NO.	ELEC. DES. APP	MECH. DES. APP		MS-2498
							A