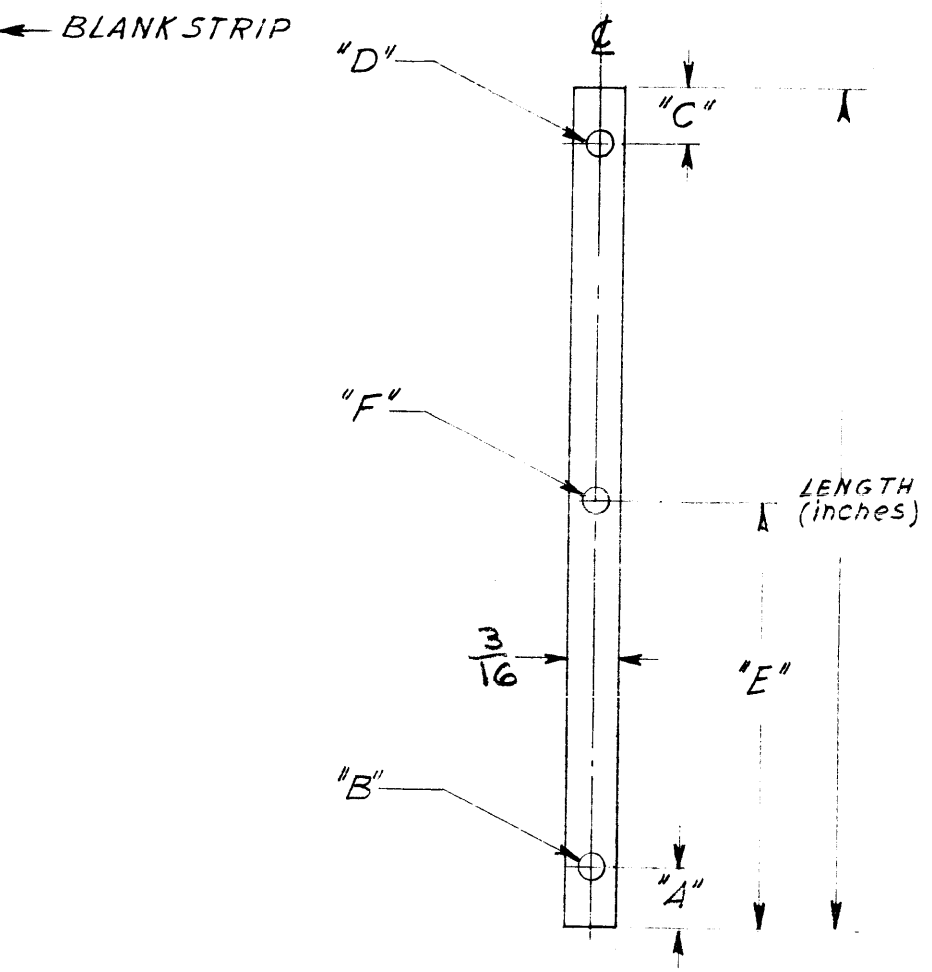


MS-2495

TMC NO.	"A" DIM.	"B" DIAM.	"C" DIM.	"D" DIAM.	"E" DIM.	"F" DIAM.
MS-2495-1	—	N.H.	—	N.H.	—	N.H.



**NOTICE TO PERSONS RECEIVING THIS DRAWING**

THE TECHNICAL MATERIEL CORPORATION claims proprietary right in the material disclosed hereon. This drawing is issued in confidence for engineering information only and may not be reproduced or used to manufacture anything shown hereon without permission from THE TECHNICAL MATERIEL CORPORATION to the user. This drawing is loaned for mutual assistance and is subject to recall at any time.

Property of:  
THE TECHNICAL MATERIEL CORPORATION  
MAMARONECK, NEW YORK

TYPE DESIGNATION TO BE AS FOLLOWS:

MS-2495-1-4.50

TMC DWG. NO.      DRILLING PLAN CODE (SEE CHART)      LENGTH (inches) (see Note)

NOTE:  
THE LENGTH REQ. WILL BE FOUND ON THE MATERIAL LIST WHERE THIS ITEM IS USED.

NOTE:  
N.H. = NO HOLE

SYM	DESCRIPTION	DATE	CH. NO.	DRAFTS	CHECKER	ENG. APP.
UNLESS OTHERWISE SPECIFIED: DIMENSIONS ARE IN INCHES TOLERANCES ON FRACTIONS ± 1/64    DECIMALS ± .005    ANGLES ± 1/2°		SCALE: MAXIMUM ALLOWABLE TOLERANCES HAVE BEEN DETERMINED AND ANY DEVIATIONS WILL BE CAUSE FOR REJECTION. REMOVE ALL BURRS AND SHARP EDGES				

REQ. PER UNIT	MODEL	SECTION	ASS'Y. NO.	DATE
				12-15-60
USED ON				

REQ. ITEM	PART NO.	DESCRIPTION	SYMBOL
.031 THK.		THE TECHNICAL MATERIEL CORP. MAMARONECK, NEW YORK	
STOCK SIZE		LEAD, CONNECTING, 3/16 WIDE	
COPPER			
MATERIAL			
COMM. SOFT		John J.W.	OB
TYPE & TEMPER	HEAT TREAT. SPEC.	DRAWN	CHECKER
FINISH & SPEC. NO.	ELEC. DES. APP.	MECH. DES. APP.	
			MS-2495