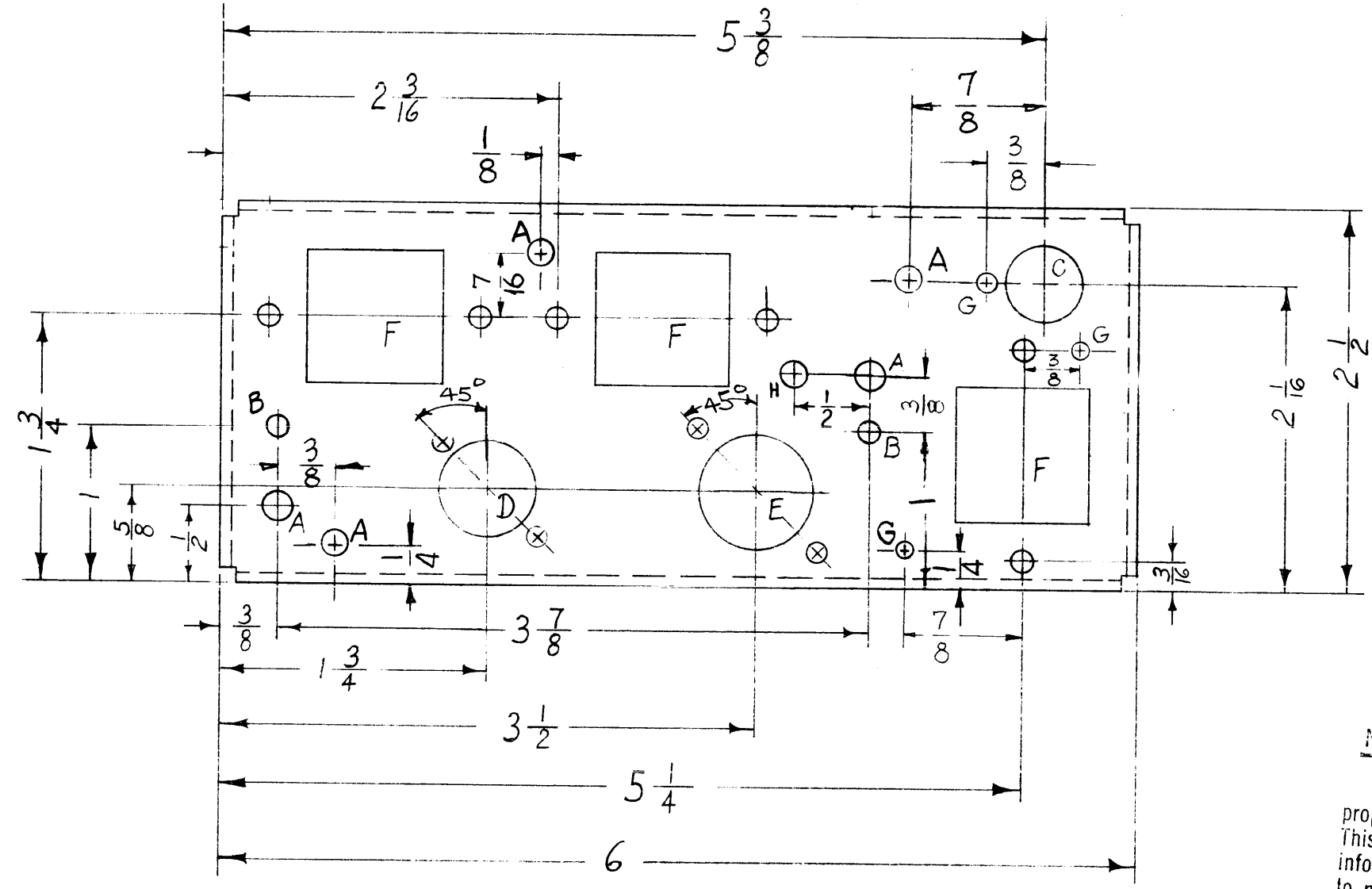
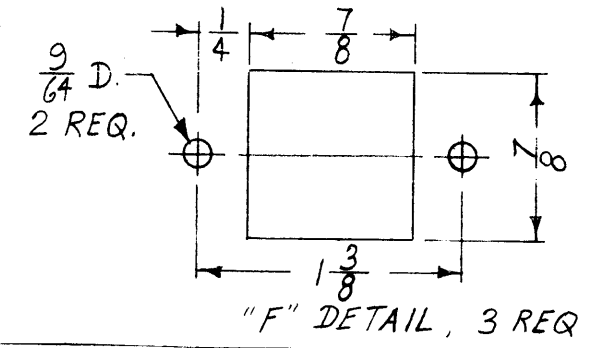
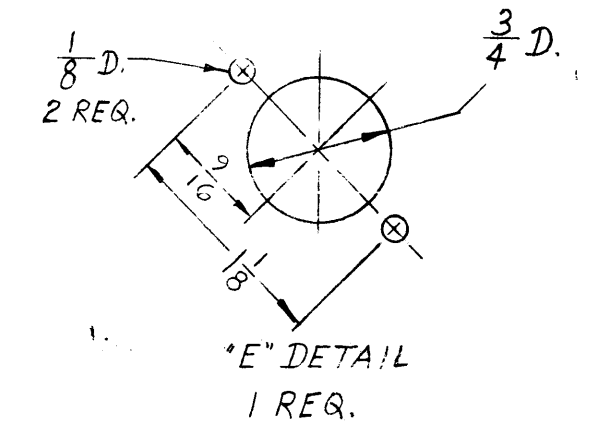
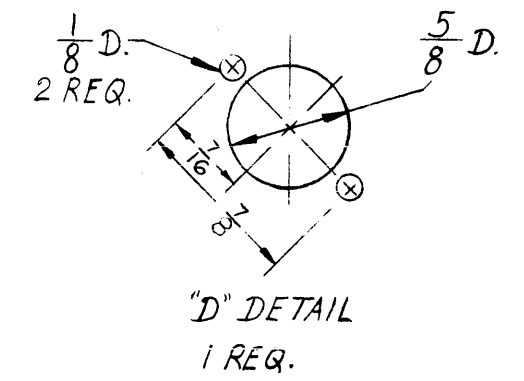


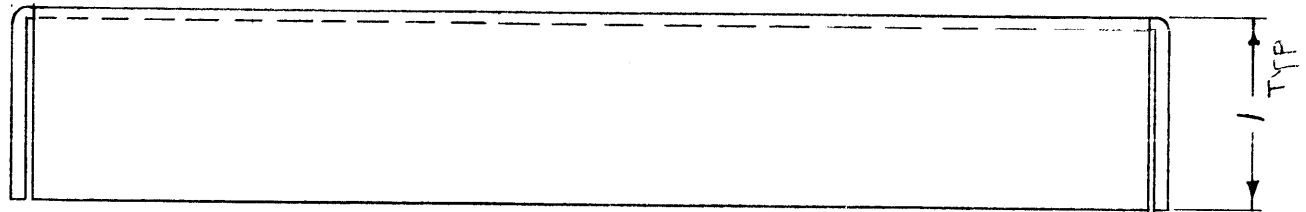
MS-2375 E



- A ~ 3/16 DIA. 5 REQ.
- B ~ 11/64 DIA. 2 "
- C ~ 1/2 DIA. 1 "
- D ~ SEE DETAIL 1 "
- E ~ SEE DETAIL 1 "
- F ~ SEE DETAIL 3 "
- G ~ 1/8 DIA. 3 "
- H ~ #18 DRILL 1 "



NOTICE TO PERSONS RECEIVING THIS DRAWING
 THE TECHNICAL MATERIEL CORPORATION claims proprietary right in the material disclosed hereon. This drawing is issued in confidence for engineering information only and may not be reproduced or used to manufacture anything shown hereon without permission from THE TECHNICAL MATERIEL CORPORATION to the user. This drawing is loaned for mutual assistance and is subject to recall at any time.
 Property of:
 THE TECHNICAL MATERIEL CORPORATION
 MAMARONECK, NEW YORK



E	1	1/8" Hole Added	12-29-60	3842	RU	JCB	
D	2	Added (3) A Holes, (1) G Hole.	12/8/60	3673	DM	JCB	
	1	DELETED (2) B Holes					
C	1	ONE "H" HOLE ADDED	12-2-60	3641	MUI	JCB	
B	1	D & E RELOCATED B WAS 9/64 D	11-16-60	3484	RU	JCB	
A	1	1/8" Hole Added	10-26-60	3271	J.C.B.		
ISSUE	ITEM	CHANGED FROM	DATE	CH. NO.	DRAFTS	CHECKER	ENG. APP.
TOLERANCES		SCALE: FULL					
DEC. DIM. ±		MAXIMUM ALLOWABLE TOLERANCES HAVE BEEN DETERMINED AND ANY DEVIATIONS WILL BE CAUSE FOR REJECTION. REMOVE ALL BURRS AND SHARP EDGES					
FRAC. DIM. ± 1/16							
ANGULAR DIM. ±							

REQ. PER UNIT	USED ON		
	MODEL	A S'Y. NO.	DATE
7	CHG-1		8-31-60

REF: LD-865 (2)

REQ.	ITEM	PART NO.	DE CRIPTION		SYMBOL
		.064	THE TECHNICAL MATERIEL CORP.		
		STOCK SIZE	MAMARONECK, NEW YORK		
		ALUMINUM	CHASSIS, DIVIDER		
MATERIAL					
		5052-H32			
TYPE & TEMPER		HEAT TREAT. SPEC.	DRAWN	CHECKED	FINAL APPROVAL
S404 YELL. IRIDITE					MS-2375 E
FINISH & SPEC. NO.			ELEC. DE . APP	MECH. DES. APP	