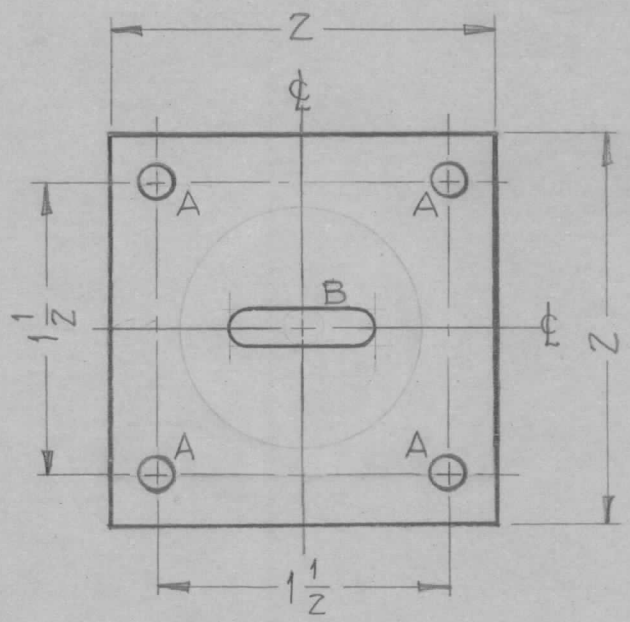


REQ. PER. UNIT	USED ON			MS-2363	A
	MODEL	ASS'Y. NO.	DATE		
1	GPT-40KP		8-5-60		

HOLES REQ'D  
 A ~ 3/16 DIA. 4  
 B ~ 3/16 x 3/4 SLOT 1



REQ. UNIT		PART NO.		DESCRIPTION		SYMBOL				
		.081		THE TECHNICAL MATERIEL CORP.						
		STOCK SIZE		MAMARONECK, NEW YORK						
A 2		ALUMINUM		PLATE, FORM MTG.						
1		MATERIAL								
SLOT ADDED, WAS "A" HOLE		5052-H32		DRAWN		CHECKED				
'A' HOLE REQ WAS 5		5-8-63 8945		S-404 YELLOW IRIDITE		FINAL APPROVAL				
ISSUE	ITEM	CHANGED FROM	DATE	CH. NO.	DRAFTS	CHECKER	ENG. APP.			
TOLERANCES			SCALE: 4		5052-H32		ARB			
DEC. DIM. ±			MAXIMUM ALLOWABLE TOLERANCES HAVE BEEN DETERMINED AND ANY DEVIATIONS WILL BE CAUSE FOR REJECTION. REMOVE ALL BURRS AND SHARP EDGES		TYPE & TEMPER		HEAT TREAT. SPEC.			
FRAC. DIM. ± 1/64					FINISH & SPEC. NO.		ELEC. DES. APP.		MECH. DES. APP.	
ANGULAR DIM. ±									MS-2363 A	