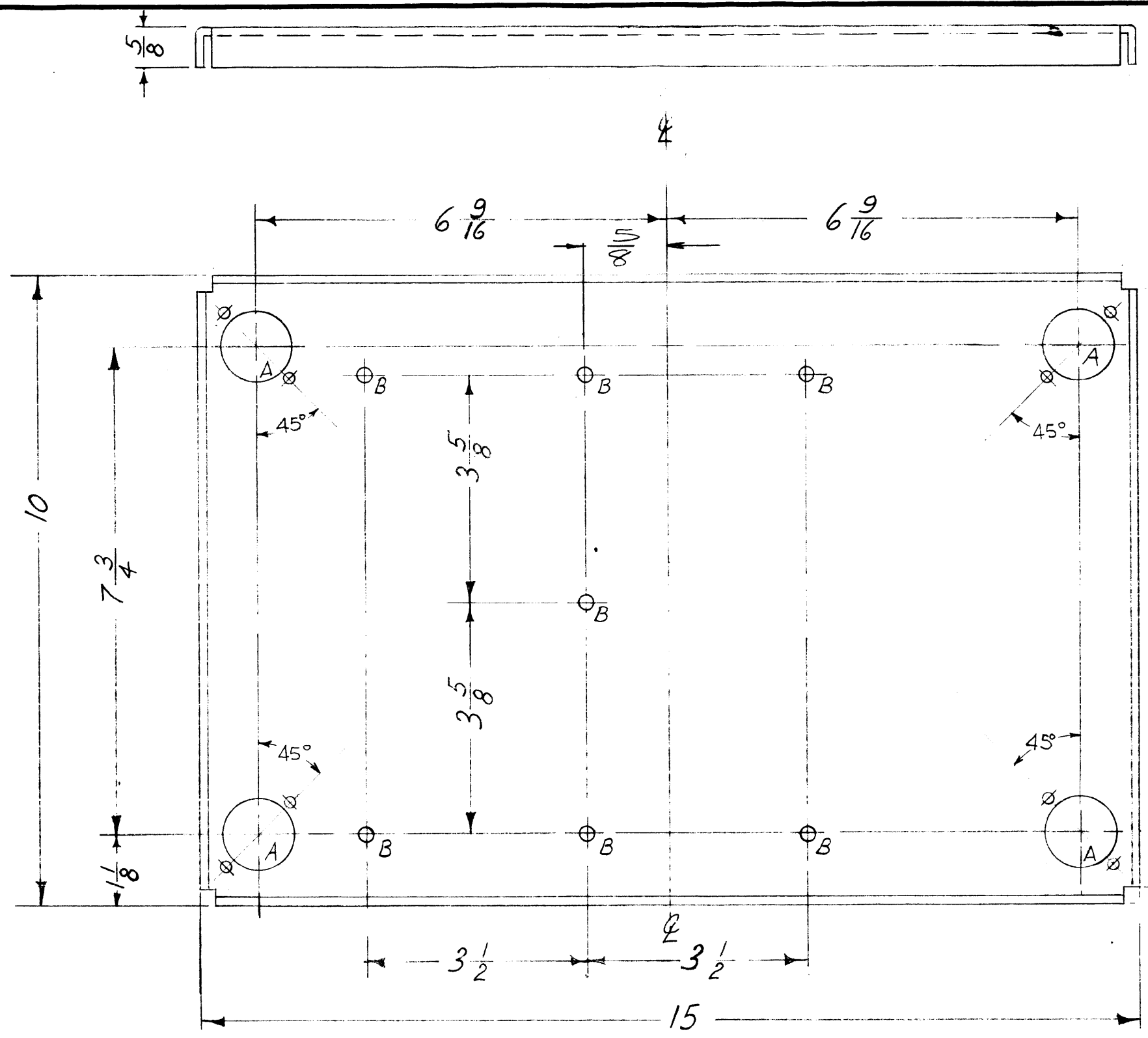
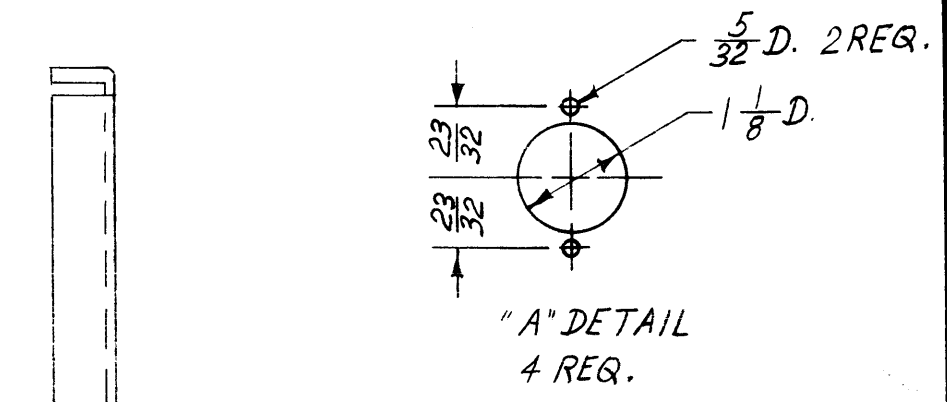


MS-2358 C



A - SEE DETAIL 4REQ.
 B - .228 DIA. 7REQ.



NOTICE TO PERSONS RECEIVING THIS DRAWING

THE TECHNICAL MATERIEL CORPORATION claims proprietary right in the material disclosed herein. This drawing is issued in confidence for engineering information only and may not be reproduced or used to manufacture anything shown hereon without permission from THE TECHNICAL MATERIEL CORPORATION to the user. This drawing is loaned for mutual assistance and is subject to recall at any time.

Property of:
 THE TECHNICAL MATERIEL CORPORATION
 MAMARONECK, NEW YORK

ISSUE	ITEM	CHANGED FROM	DATE	CH. NO.	DRAFTS	CHECKER	ENG. APP.
C	1	CHANGED MOUNTING DIRECTION OF "A" DETAILS TO 45°	10-20-60	3242			
B	2	2-7/16 DIM. DELETED	9-23-60	3075			
	1	5/8 DIM. ADDED					
A	2	DIM. 2 7/16 ADDED	8-17-60				
	1	DIM. 2 5/8 DELETED					

NOTE: ALL CORNERS TYP. 1/4 NOTCH.
 ALL BENDS 1/8 RADIUS

TOLERANCES		SCALE: 1/2
DEC. DIM. ±		MAXIMUM ALLOWABLE TOLERANCES HAVE BEEN DETERMINED AND ANY DEVIATIONS WILL BE CAUSE FOR REJECTION. REMOVE ALL BURRS AND SHARP EDGES
FRAC. DIM. ± 1/64		
ANGULAR DIM. ±		

1	CMD 2		8-9-60
1	CMD-1		8-9-60
REQ. PER UNIT	MODEL	PROJECT NO.	ASSY. NO.
			DATE

REQ. ITEM	PART NO.	DESCRIPTION	SYMBOL
	1/8	THE TECHNICAL MATERIEL CORP. MAMARONECK, NEW YORK	
		ALUMINUM	
		PLATE, OVEN SHOCK MTG.	
		5052-H32	
		S404 YELL. IRIDITE	
		MS-2358	C