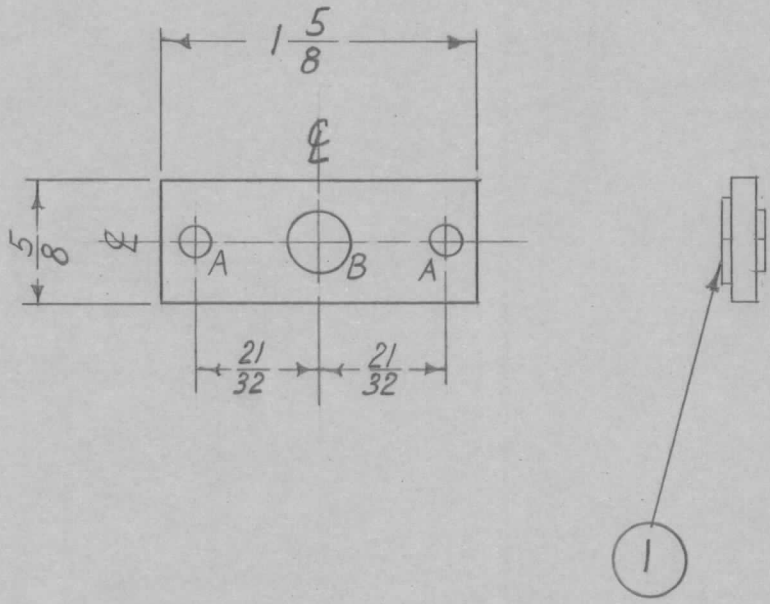


REQ. PER UNIT	USED ON			MS-2355	A
	MODEL	ASS'Y. NO.	DATE		
1	CMO-1		8-8-60		
1	CMO-2		8-8-60		

A ~ $\frac{5}{32}$ DIA. 2 REQ.
 B ~ $.312 \pm .001$ DIA. 1 "



ISSUE	ITEM	CHANGED FROM	DATE	CH. NO.	DRAFTS	CHECKER	ENG. APP.	REQ.	ITEM	PART NO.	DESCRIPTION	SYMBOL					
								1	1	BB-117-6	NYLON PANEL, BEARING						
										$\frac{1}{8}$	THE TECHNICAL MATERIEL CORP.						
										ALUMINUM	MAMARONECK, NEW YORK						
											FLOAT, FRONT						
A	1	TOLERANCE ADDED TO "B" DIA. HOLE	9 23 60	3071	CUS	<i>[Signature]</i>	<i>[Signature]</i>			5052-H32	<i>[Signature]</i>	<i>[Signature]</i>					
TOLERANCES			SCALE: FULL					TYPE & TEMPER		HEAT TREAT. SPEC.		DRAWN		CHECKED		FINAL APPROVAL	
DEC. DIM. \pm			MAXIMUM ALLOWABLE TOLERANCES HAVE BEEN DETERMINED AND ANY DEVIATIONS WILL BE CAUSE FOR REJECTION. REMOVE ALL BURRS AND SHARP EDGES					5404 YELL. IRIDITE				<i>[Signature]</i>		MS-2355		A	
FRAC. DIM. \pm 1/64								FINISH & SPEC. NO.		ELEC. DES. APP		MECH. DES. APP					
ANGULAR DIM. \pm																	