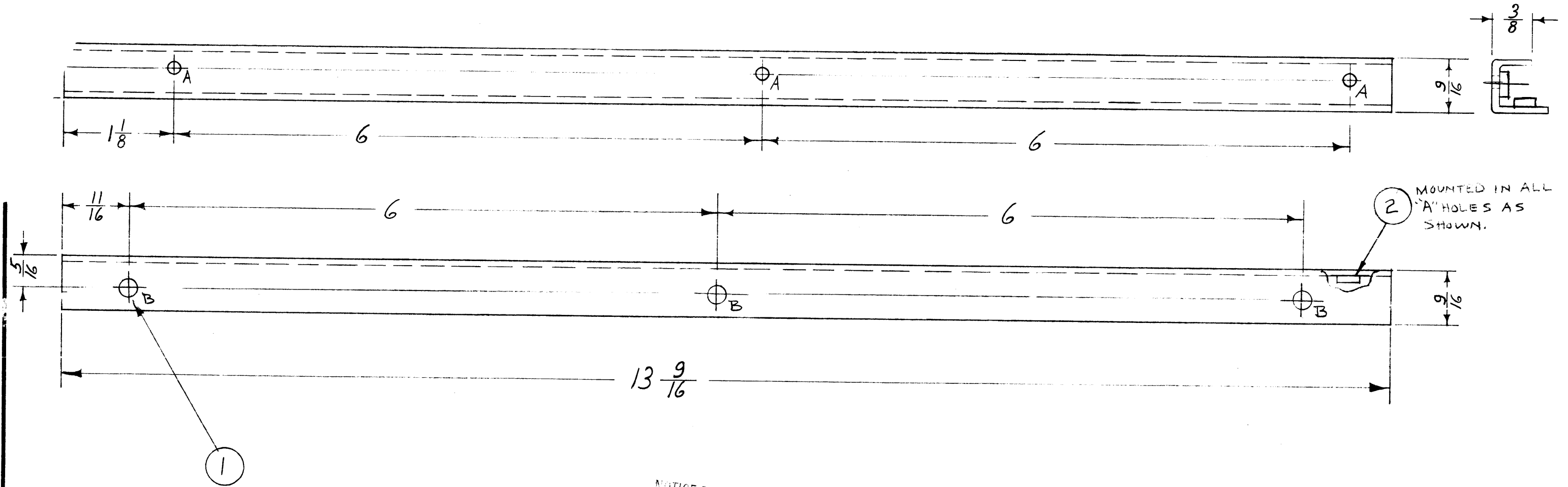


A - $\frac{.161}{.164}$ DIA (FOR NT-129-440-4) 3REQ.
 B - .191-.194 D. (FOR NT-129-632-4) 3REQ.



NOTICE TO PERSONS RECEIVING THIS DRAWING
 THE TECHNICAL MATERIEL CORPORATION claims proprietary right in the material disclosed hereon. This drawing is issued in confidence for engineering information only and may not be reproduced or used to manufacture anything shown hereon without permission from THE TECHNICAL MATERIEL CORPORATION to the user. This drawing is loaned for mutual assistance and is subject to recall at any time.

Property of:
 THE TECHNICAL MATERIEL CORPORATION
 MAMARONECK, NEW YORK

ISSUE	ITEM	CHANGED FROM	DATE	CH. NO.	DRAFTS	CHECKER	ENG. APP.
A		"A" HOLE WAS 1/8 DIA. ITEM 2 ADDED	9-23-60	3072	Cus	Jule	[Signature]
TOLERANCES			SCALE: FULL				
DEC. DIM. ±			MAXIMUM ALLOWABLE TOLERANCES HAVE BEEN DETERMINED AND ANY DEVIATIONS WILL BE CAUSE FOR REJECTION.				
FRAC. DIM. ± 1/64			REMOVE ALL BURRS AND SHARP EDGES				
ANGULAR DIM. ±							

1	CMO-2		8-8-60
1	CMO-1		8-8-60
REQ. PER UNIT	MODEL	PROJECT NO.	ASS'Y. NO.
			DATE
USED ON			

3	2	NT-129-440-4	NUT ROUND SWAGE TYPE	
3	1	NT-129-632-4	NUT, ROUND, SWAGE TYPE	
REQ. ITEM	PART NO.		DESCRIPTION	SYMBOL
	.064		THE TECHNICAL MATERIEL CORP.	
	STOCK SIZE		MAMARONECK, NEW YORK	
	ALUMINUM		TRACK, LEFT, BOTTOM	
	MATERIAL			
	5052-H32		[Signature]	[Signature]
	TYPE & TEMPER	HEAT TREAT. SPEC.	DRAWN	CHECKED
	S404 YELL. IRIDITE		[Signature]	[Signature]
	FINISH & SPEC. NO.	ELEC. DES. APP.	MECH. DES. APP.	
				MS-2347 A