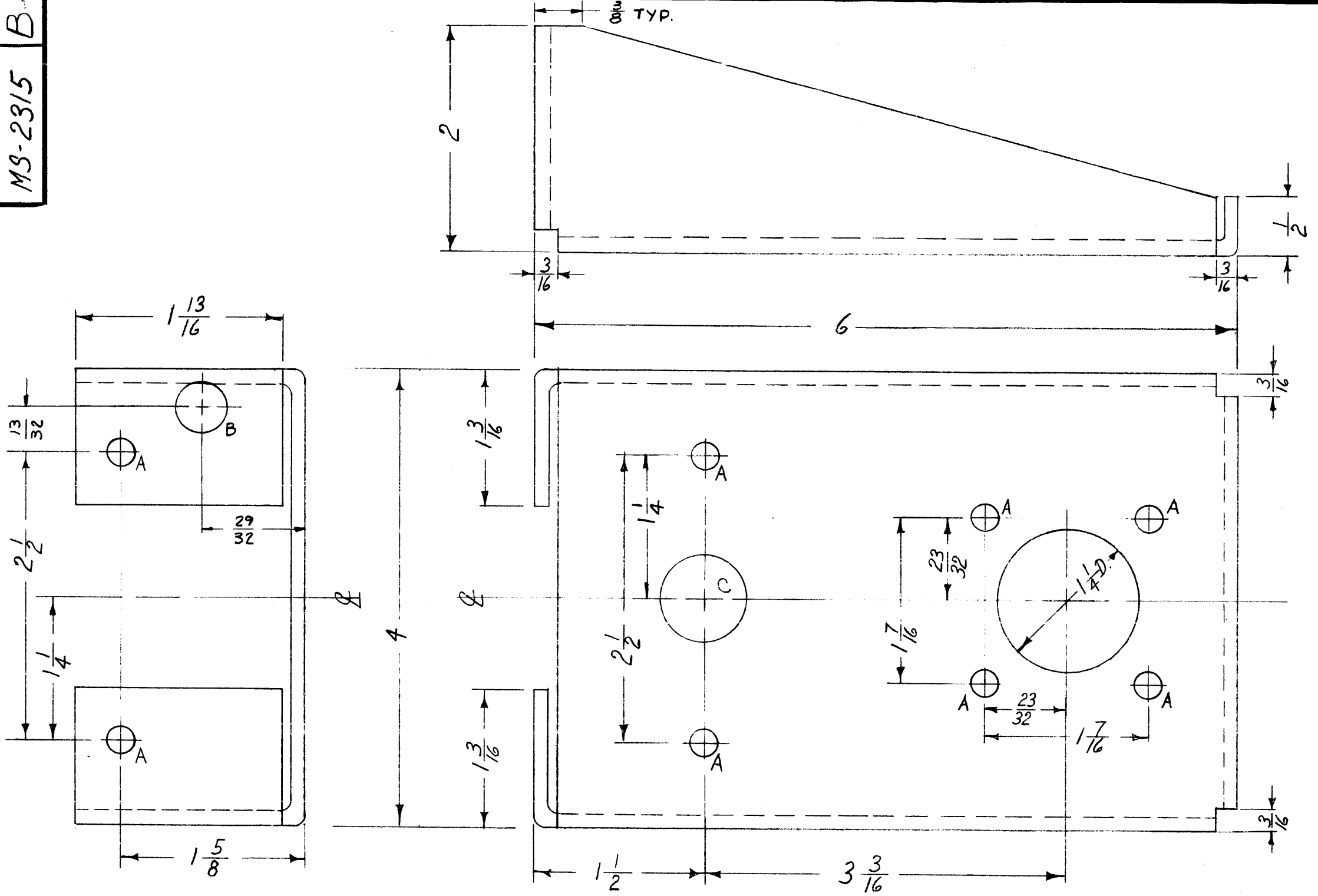


MS-2315 B



A ~ 15/64 (.234) D.
 B ~ 7/16 DIA.
 C ~ 3/4 DIA.

8 REQ.
 1 REQ.
 1 REQ.

PROPERTY OF PERSONS RECEIVING THIS DRAWING
 THE TECHNICAL MATERIEL CORPORATION claims
 property right in the material disclosed herein.
 This drawing is issued in confidence for engineering
 information only and may not be reproduced or used
 to manufacture anything shown herein without per-
 mission from THE TECHNICAL MATERIEL CORPORA-
 TION to the user. This drawing is loaned for mutual
 assistance and is subject to recall at any time.

Property of:
 THE TECHNICAL MATERIEL CORPORATION
 MAMARONECK, NEW YORK

ISSUE	ITEM	CHANGED FROM	DATE	CH. NO.	DRAFTS	CHECKER	ENG. APP.
B	1	3/8 DIM ADDED	10/9/63	10161	GD	MAF	WMB
A	2	(1) "B" HOLE ADDED	8-15-62	6911	G.S.	GD	LB
	1	(1) "C" HOLE ADDED					
TOLERANCES			SCALE: FULL				
DEC. DIM. ±			MAXIMUM ALLOWABLE TOLERANCES HAVE BEEN DETERMINED AND ANY DEVIATIONS WILL BE CAUSE FOR REJECTION. REMOVE ALL BURRS AND SHARP EDGES				
FRAC. DIM. ± 1/64							
ANGULAR DIM. ±							

REQ. PER UNIT	MODEL	PROJECT NO.	ASS'Y. NO.	DATE
1	GPT-40K	10K MODIFICATION		6-27-60
USED ON				

REQ. ITEM	PART NO.	DESCRIPTION	SYMBOL
	1/8	THE TECHNICAL MATERIEL CORP. MAMARONECK, NEW YORK	
	STOCK SIZE		
	ALUMINUM	BRACKET, CONNECTOR (UNBAL EMERG. BRACKET)	
	MATERIAL		
	5052-H32		
	TYPE & TEMPER	HEAT TREAT. SPEC.	
	S404 YELL IRIDITE		
	FINISH & SPEC. NO.	ELEC. DES. APP.	MECH. DES. APP.
		MS-2315	B