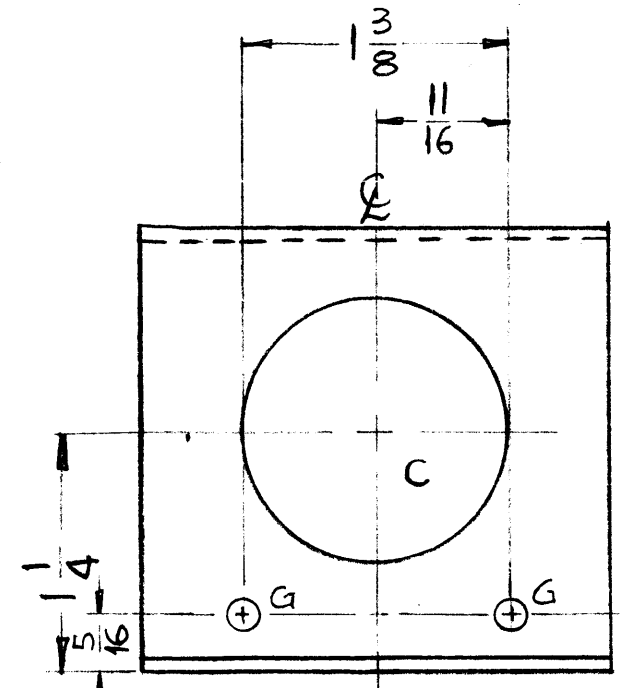
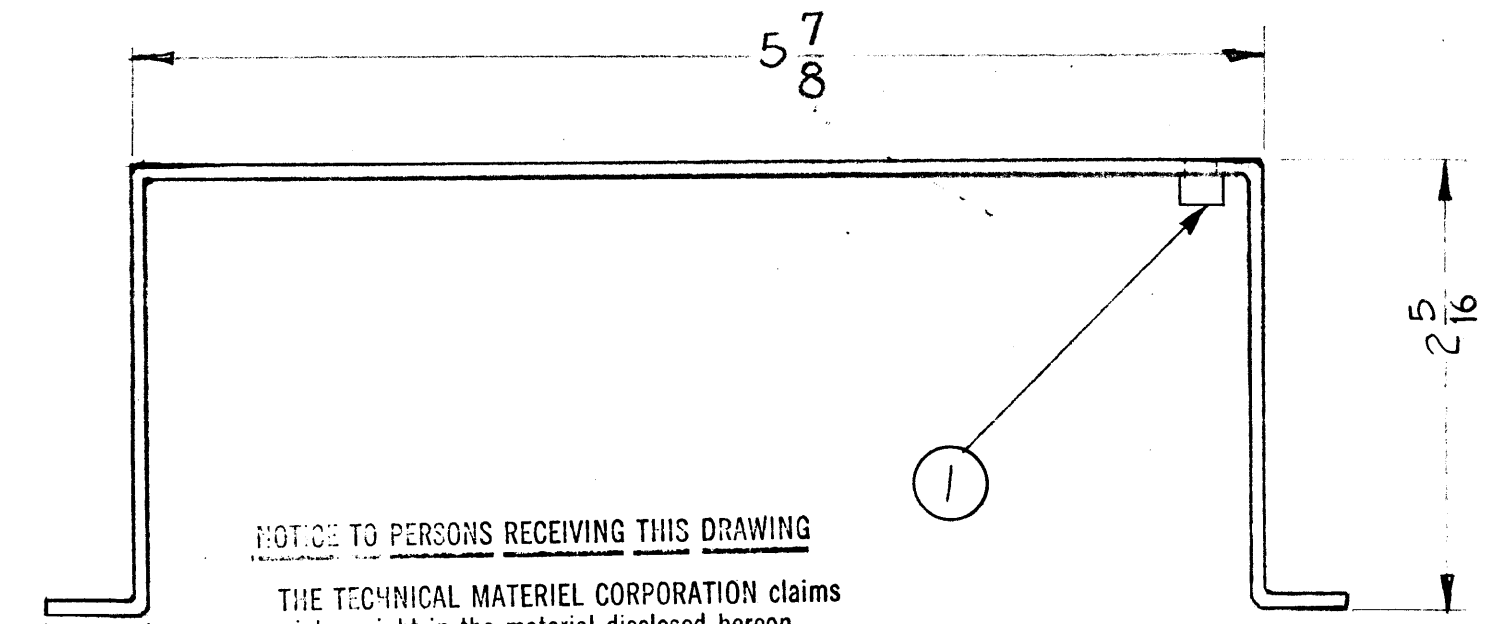
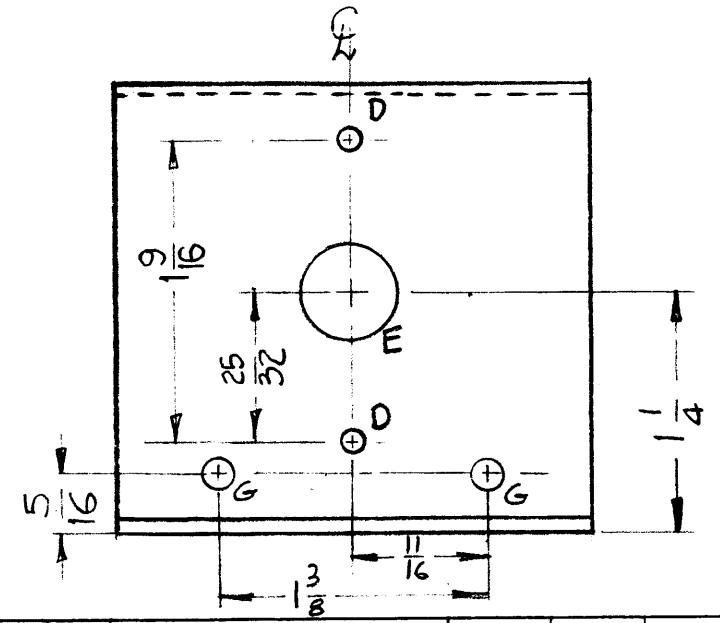
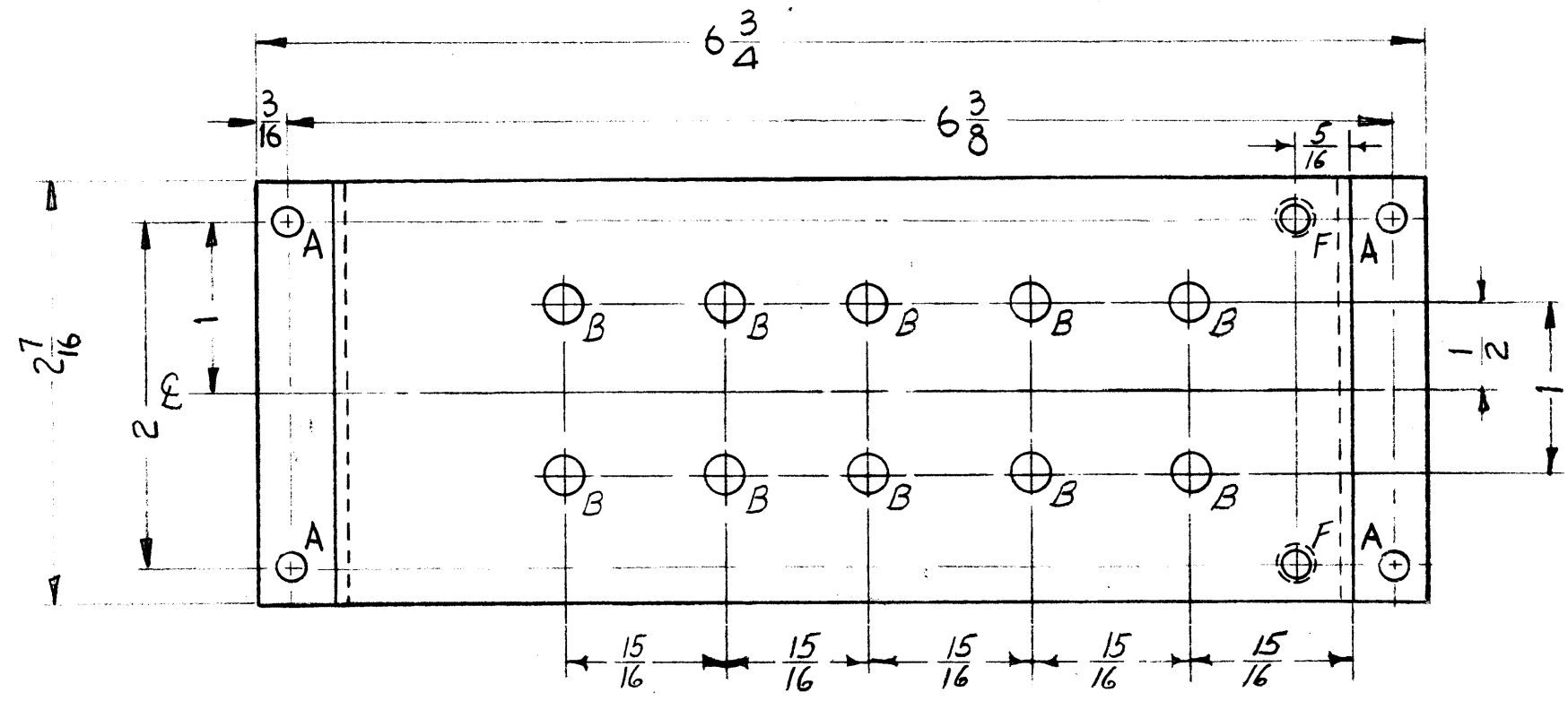


MS-2310 B

HOLE S	REQ'D
A - .166 DIA.	4
B - 7/32" (.218) DIA.	10
C - 1-3/8 DIA.	1
D - .128 DIA.	2
E - .500 (1/2) DIA	1
F - .161-.164 D. (FOR NT-129-440-4)	2
G - 1/64 DIA.	4



NOTICE TO PERSONS RECEIVING THIS DRAWING

THE TECHNICAL MATERIEL CORPORATION claims proprietary right in the material disclosed hereon. This drawing is issued in confidence for engineering information only and may not be reproduced or used to manufacture anything shown hereon without permission from THE TECHNICAL MATERIEL CORPORATION to the user. This drawing is loaned for mutual assistance and is subject to recall at any time.

Property of:
THE TECHNICAL MATERIEL CORPORATION
 MAMARONECK, NEW YORK

ISSUE	ITEM	CHANGED FROM	DATE	CH. NO.	DRAFTS	CHECKER	ENG. APP.
B	2	(4) G HOLES ADDED	6/14/61	5082	JDM	JCR	[Signature]
A	1	(2) D HOLES DELETED	8-18-60	H	[Signature]	[Signature]	[Signature]
A	1	TWO "F" HOLES ADDED	8-18-60	H	[Signature]	[Signature]	[Signature]

TOLERANCES: DEC. DIM. ±, FRAC. DIM. ± 1/64, ANGULAR DIM. ±

SCALE: 1/1

MAXIMUM ALLOWABLE TOLERANCES HAVE BEEN DETERMINED AND ANY DEVIATIONS WILL BE CAUSE FOR REJECTION. REMOVE ALL BURRS AND SHARP EDGES

REQ. PER UNIT	MODEL	PROJECT NO.	ASSY. NO.	DATE
1	CLL-1			6-21-60

USED ON

REQ. ITEM	PART NO.	DESCRIPTION	SYMBOL
2	1	NT-129-440-4	
		NUT, ROUND, SWAGE TYPE	
	.064	STOCK SIZE	
	ALUMINUM	MATERIAL	
	5052-H32		
	ETCH & IRIDITE	FINISH & SPEC. NO.	
		THE TECHNICAL MATERIEL CORP. MAMARONECK, NEW YORK	
		TRIMMER CAPACITOR MOUNTING BRACKET	
		DRAWN: [Signature]	
		CHECKED: [Signature]	
		FINAL APPROVAL: [Signature]	
		ELEC. DES. APP. [Signature]	
		MECH. DES. APP. [Signature]	
		MS-2310	B