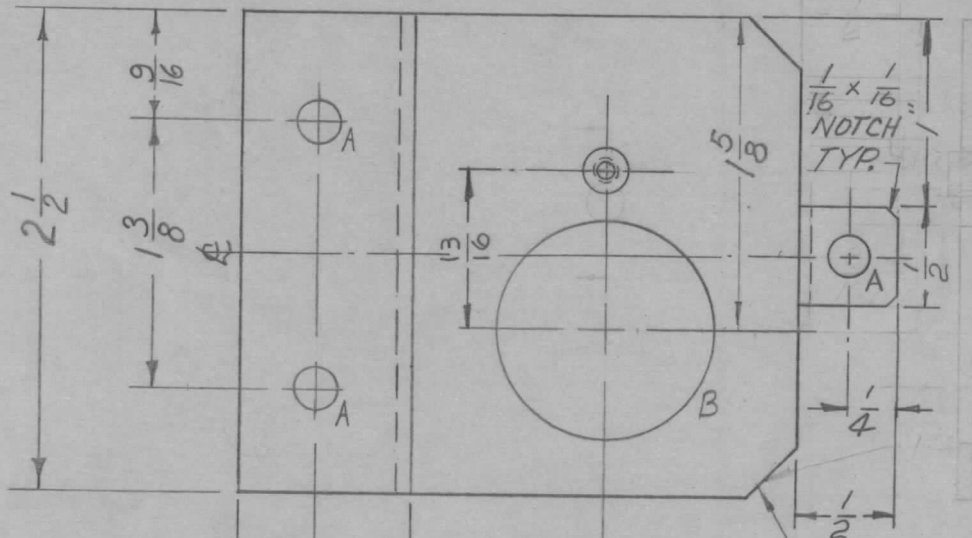
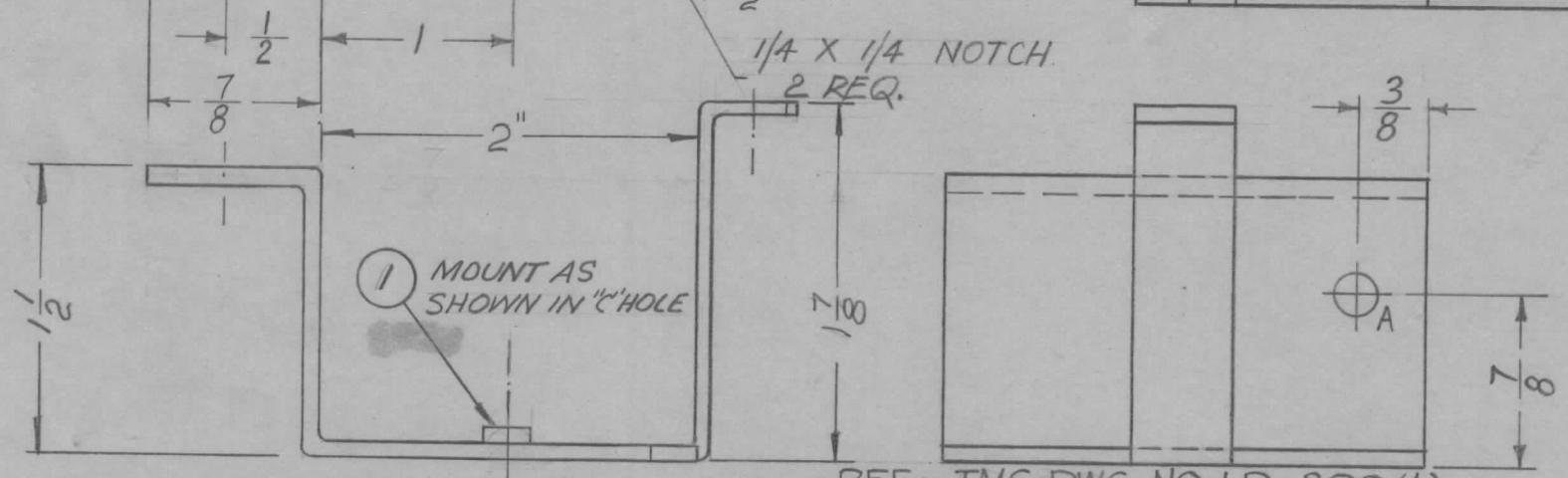


REQ. PER UNIT	USED ON			MS-2290	C
	MODEL	ASS'Y. NO.	DATE		
1	GPT-40K	AP-103	6-6-60		



A - 7/32 DIA. 4 REQ.  
 B - 1 3/8 DIA. 1 REQ.  
 C - 1/16 DIA. 1 REQ.

1	1	NT729-440-4	NUT, SWAGE	
REQ	ITEM	PART NO.	DESCRIPTION	SYM.



REF ~ TMC DWG. NO. LD-800 (1)

ISSUE	ITEM	CHANGED FROM	DATE	CH. NO.	DRAFTS	CHECKER	ENG. APP.	REQ.	ITEM	PART NO.	DESCRIPTION	SYMBOL	
C	1	ADDED LEG (1/2 DIA.) ITEM (1)	7-21-63	3462	AR	MP	MP			.081	THE TECHNICAL MATERIEL CORP. MAMARONECK, NEW YORK BRACKET, HV LAMP		
B	1	3/64 DIMPLE ADDED	2-16-62	6386	Ken	MP	MP			STOCK SIZE			
A	1	1 3/8 DIA WAS 1 1/8	7-19-60	2593	P	MP	MP			ALUMINUM			
TOLERANCES								MATERIAL					
DEC. DIM. ±			SCALE: FULL					5052-H32		DRAWN		MP	
FRAC. DIM. ± 1/64			MAXIMUM ALLOWABLE TOLERANCES HAVE BEEN DETERMINED AND ANY DEVIATIONS WILL BE CAUSE FOR REJECTION. REMOVE ALL BURRS AND SHARP EDGES					S404 YELL. IRIDITE		CHECKED		MP	
ANGULAR DIM. ±								FINISH & SPEC. NO.		ELEC. DES. APP		MECH. DES. APP	