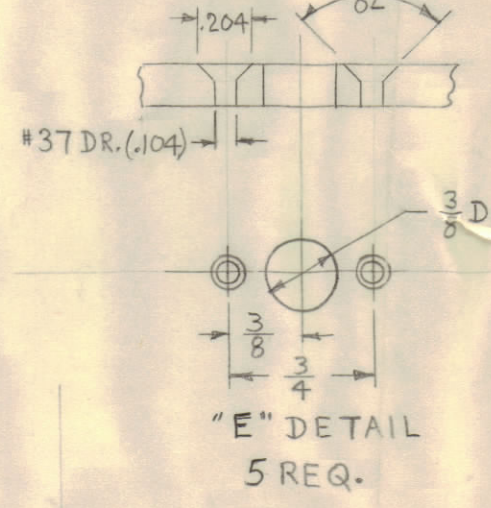


NOTICE TO PERSONS RECEIVING THIS DRAWING

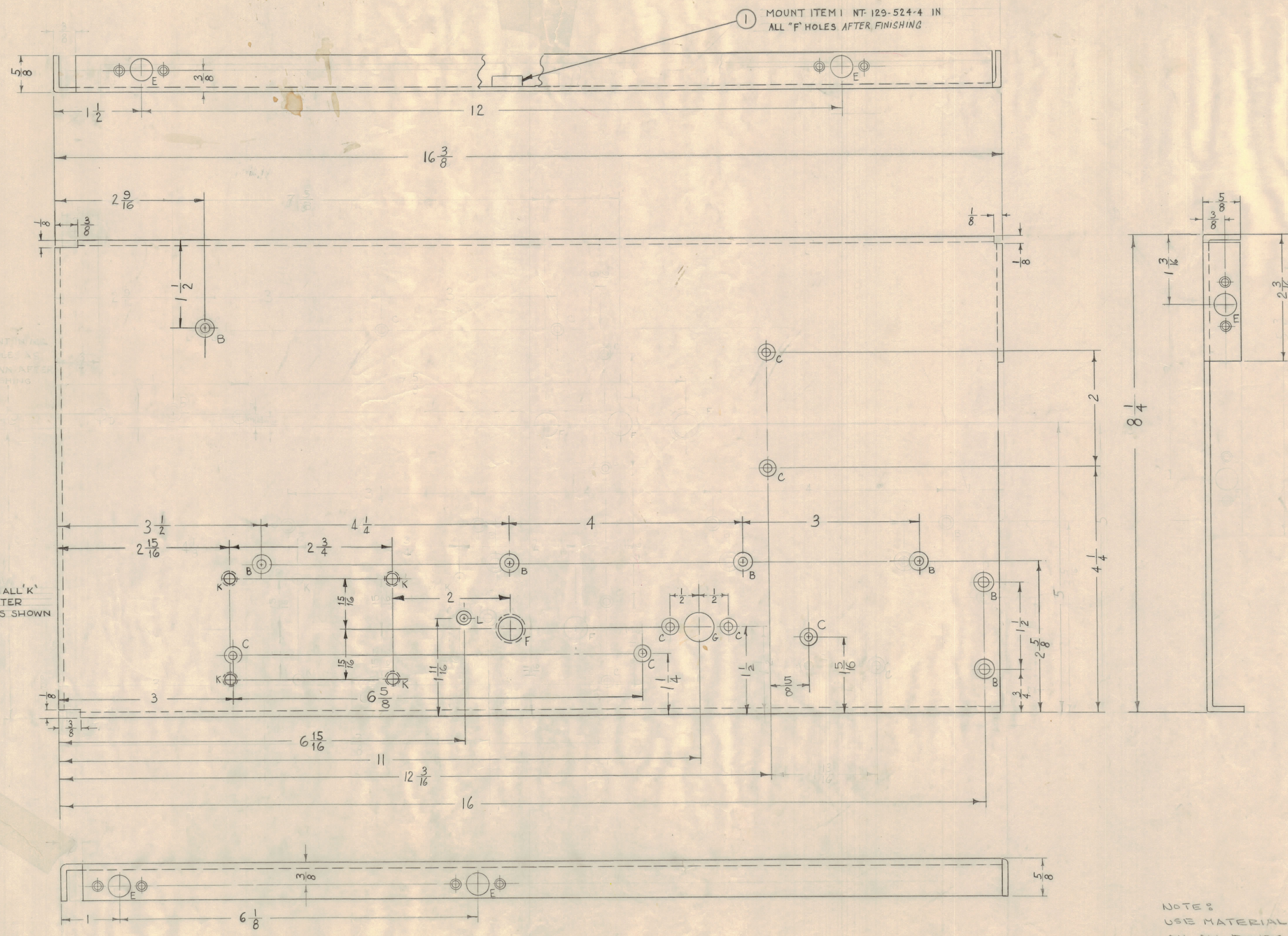
THE TECHNICAL MATERIEL CORPORATION claims proprietary right in the material disclosed herein. This drawing is issued in confidence for engineering information only and may not be reduced or used to manufacture anything shown hereon without permission from THE TECHNICAL MATERIEL CORPORATION to the user. This drawing is loaned for mutual assistance and is subject to recall at any time.

Property of:
THE TECHNICAL MATERIEL CORPORATION
MAMARONECK, NEW YORK

- A- DELETED 3 REQ
- B- DR. & C'SINK FOR 8-32 FH.S. 7 REQ
- C- DR. & C'SINK FOR 6-32 FH.S. 7
- D- DELETED
- E- SEE DETAIL 6 "
- F- 2" DR. (413) D FOR 1 "
- NT-129-524-4
- G- 1/2 DIA. 3 "
- H- 7/32 DIA.



- K- 221-224 DIA. 4 Req
- L- DR & C'SINK FOR 4-40 FH.S. 1 Req



ISSUE	ZONE	DESCRIPTION	DATE	CH. NO.	DRAFTS	CHECKER	ENG. APP.
G	E-B	ONE "J"-HOLE CHNG TO "B"-HOLE	7.7.64	11658	ANB		
G-1		"B"-HOLES WAS 6 REQ					
F	D7	ADDED (1) "L" Hole Was A "C" Hole	7.12.61	5211	GDL		
E	D7	6 1/2" DIM WAS 7 7/8					
D	D7	2 3/16 DIM WAS 4 1/8	5.3.61	4786	MAF		
D	D7	(1) HOLE ADDED (1) HOLE DELETED	2.28.61	1787	RU		
D	D7	(1) HOLE DELETED (2) HOLES ADDED					
D	D7	1 1/2" DIM WAS 3 3/4" & 1/4" WAS 4"					
C	G-1	"D" Hole Was 7/32 DIA.	11.21.60	3546	RU		
C	D7	(2) "C" HOLES (1) "F" HOLES RELOCATED					
B	D7	1 1/2" DIM (1) HOLE ADDED	11.4.60	3383	MAF		
B	D7	THREE "D" HOLES WERE "A" HOLES					
A	D7	(2) "C" HOLES ADDED	9.29.60	3311	DM		
A	D7	(1) "C" HOLE DELETED					
A	D7	1 1/2" DIM WAS 1 3/8"					

REQ PER UNIT	MODEL	SECTION	ASBY. NO.	DATE
1	CHG-1	MAIN Assy		5-2-60

REQ. ITEM	PART NO.	DESCRIPTION	SYMBOL	
4	3	NT-129-832-4	NUT, ROUND, SWAGE TYPE	K
2		DELETED		
1	1	NT-129-524-4	NUT, ROUND, SWAGE TYPE	F

.081		THE TECHNICAL MATERIEL CORP.	
STOCK SIZE		MAMARONECK, NEW YORK	
ALUMINUM		SIDE PLATE, RIGHT	
MATERIAL			
5052-H32			
TYPE & TEMPER			
HEAT TREAT. SPEC.		S404 YELL IRIDITE	
FINISH & SPEC. NO.		MS-2235	