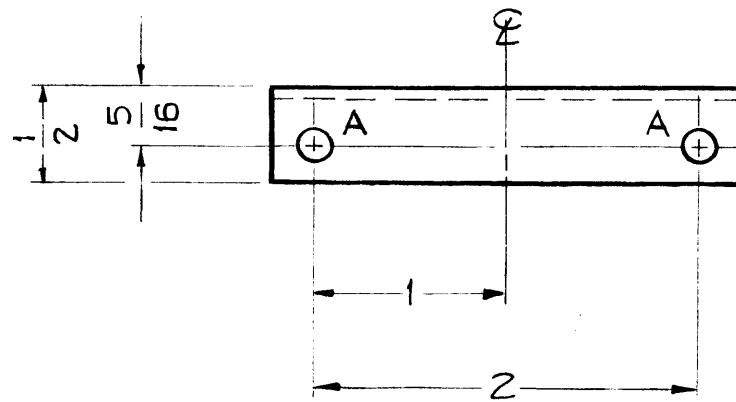
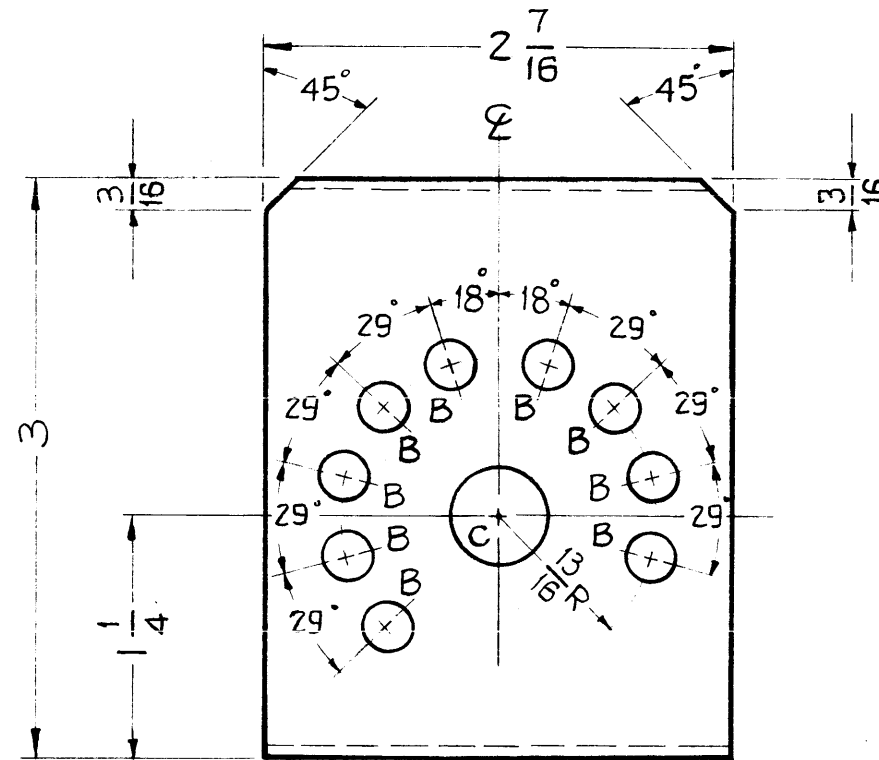
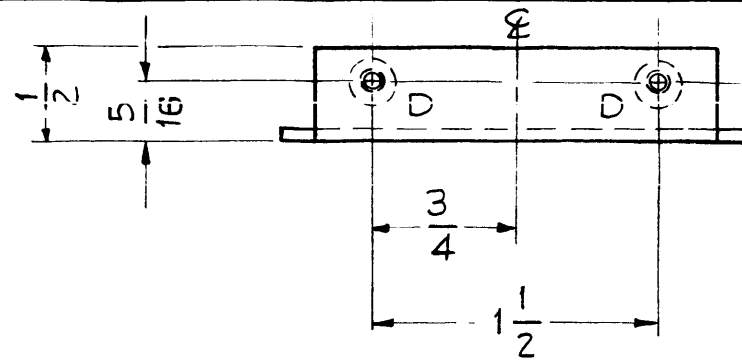
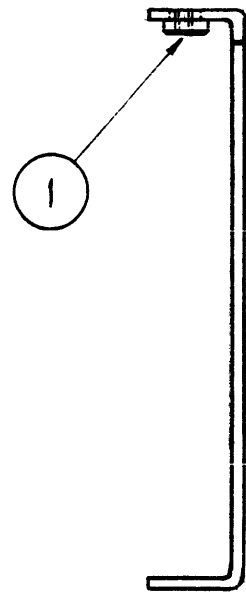


MS-2219



HOLES ~

- A ~ 11/64 (.171) DIA. 2 REQ.
 - B ~ 1/4 (.250) DIA 9 REQ.
 - C ~ 1/2 (.500) DIA. 1 REQ.
 - D ~ .161 MIN., .164 MAX. DIA'S. 2 REQ.
- FOR NT129-440-4

NOTICE TO PERSONS RECEIVING THIS DRAWING

THE TECHNICAL MATERIEL CORPORATION claims proprietary right in the material disclosed hereon. This drawing is issued in confidence for engineering information only and may not be reproduced or used to manufacture anything shown hereon without permission from THE TECHNICAL MATERIEL CORPORATION to the user. This drawing is loaned for mutual assistance and is subject to recall at any time.

Property of:
THE TECHNICAL MATERIEL CORPORATION
MAMARONECK, NEW YORK

REF. LD-749

2	1	NT129-440-4	NUT, ROUND, SWAGE TYPE	
REQ. ITEM	PART NO.		DESCRIPTION	SYMBOL
	.064		THE TECHNICAL MATERIEL CORP. MAMARONECK, NEW YORK	
	ALUMINUM		BRACKET, RIGHT SIDE CAPACITOR MOUNTING	
	5052-H32		J.C. Biele	
	S404-IRIDITE		DRAWN	CHECKED
	FINISH & SPEC. NO.		ELEC. DES. APP.	MECH. DES. APP.

ISSUE	ITEM	CHANGED FROM	DATE	CH. NO.	DRAFTS	CHECKER	ENG. APP.
TOLERANCES			SCALE: FULL, DO NOT SCALE				
DEC. DIM. ±			MAXIMUM ALLOWABLE TOLERANCES HAVE BEEN DETERMINED AND ANY DEVIATIONS WILL BE CAUSE FOR REJECTION.				
FRAC. DIM. ± 1/64			REMOVE ALL BURRS AND SHARP EDGES				
ANGULAR DIM. ± 1/2°							

1	CLL-1			4 - 29 - 60
REQ. PER UNIT	MODEL	PROJECT NO.	ASS'Y. NO.	DATE
USED ON				