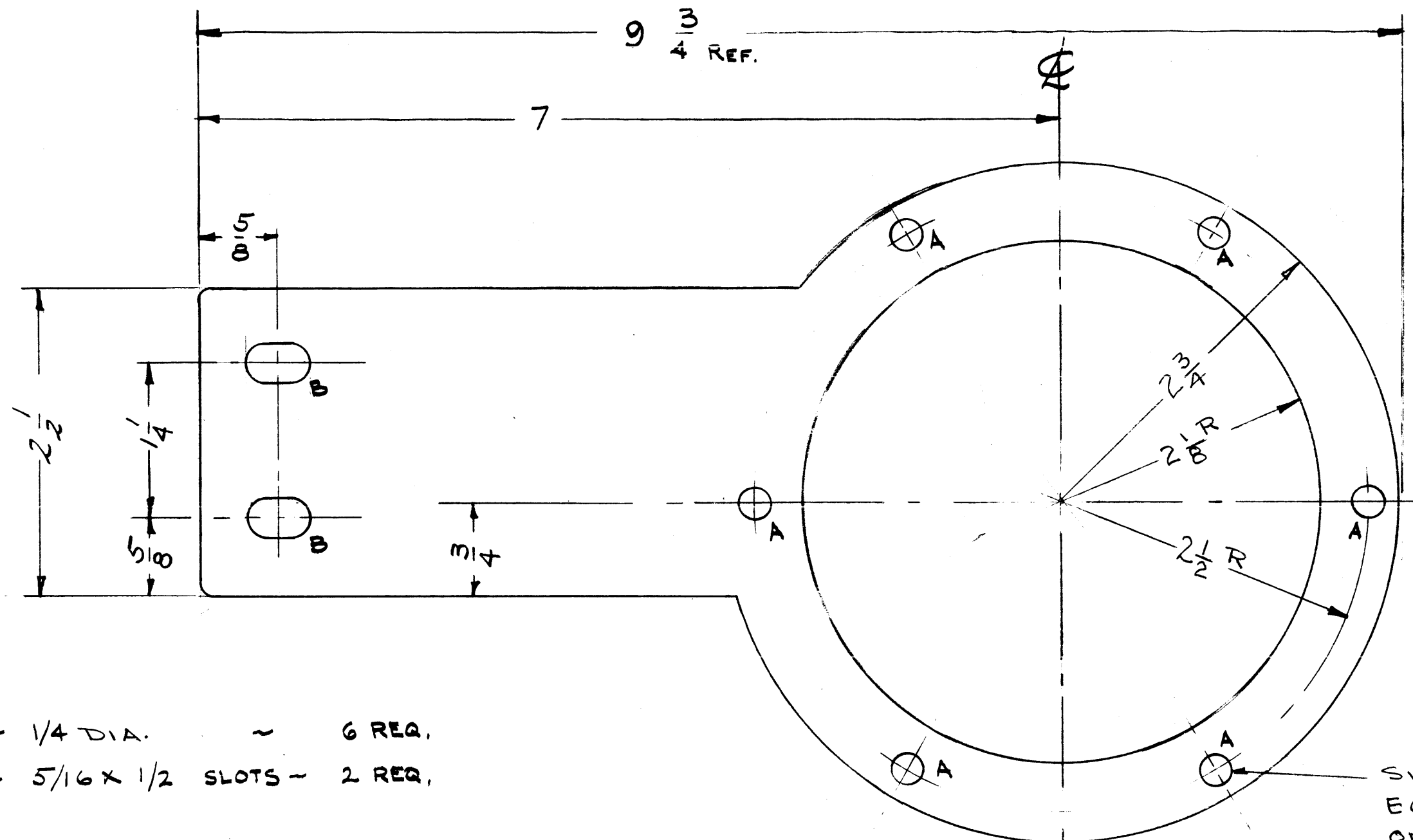


MS-2121 D



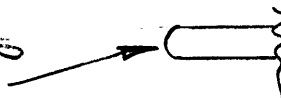
- A ~ 1/4 DIA. ~ 6 REQ.
 B ~ 5/16 X 1/2 SLOTS ~ 2 REQ.

SIX (6) 1/4 DIA. HOLES
 EQUALLY SPACED 60° APART
 ON 2 1/2 RADIUS.

NOTICE TO PERSONS RECEIVING THIS DRAWING

THE TECHNICAL MATERIEL CORPORATION claims proprietary right in the material disclosed herein. This drawing is issued in confidence for engineering information only and may not be reproduced or used to manufacture anything shown hereon without permission from THE TECHNICAL MATERIEL CORPORATION to the user. This drawing is loaned for mutual assistance and is subject to recall at any time.

Property of:
 THE TECHNICAL MATERIEL CORPORATION
 MAMARONECK, NEW YORK

NOTE
 ROUND ALL EDGES 

ISSUE	ITEM	CHANGED FROM	DATE	CH. NO.	DRAFTS	CHECKER	ENG. APP.
D	1	FINISH WAS GOLD PLATE .000025	6-3-61	4995	<i>JEM</i>	<i>JKB</i>	<i>JKB</i>
C	1	REDRAWN w/REV. LIP REMOVED	6/21/60		<i>llc</i>	<i>llc</i>	<i>llc</i>
TOLERANCES		SCALE: DO NOT SCALE					
DEC. DIM. ±		MAXIMUM ALLOWABLE TOLERANCES HAVE BEEN DETERMINED AND ANY DEVIATIONS WILL BE CAUSE FOR REJECTION. REMOVE ALL BURRS AND SHARP EDGES					
FRAC. DIM. ±							
AN ULAR DIM. ±							
		1/64					

REQ. PER UNIT	GPT-40K	AX-209			6-14-60
	MODEL	PROJECT NO.	ASS'Y. NO.	DATE	
USED ON					

REQ. ITEM	PART NO.	DESCRIPTION	SYMBOL
	.081	THE TECHNICAL MATERIEL CORP.	
	STOCK SIZE	MAMARONECK, NEW YORK	
	COPPER	CONNECTOR TUNE	
	MATERIAL	CAPACITOR TO FINAL TUBE	
		<i>labeled</i>	<i>llc</i>
		<i>llc</i>	<i>llc</i>
TYPE & TEMPER. HEAT TREAT. SPEC.		DRAWN	
S-245 - SILVER PLATE		<i>llc</i>	
S-423 - CLEAR IRIDITE		<i>llc</i>	
FINISH & SPEC. NO.		ELEC. DES. APP.	MECH. DES. APP.
			MS-2121 D