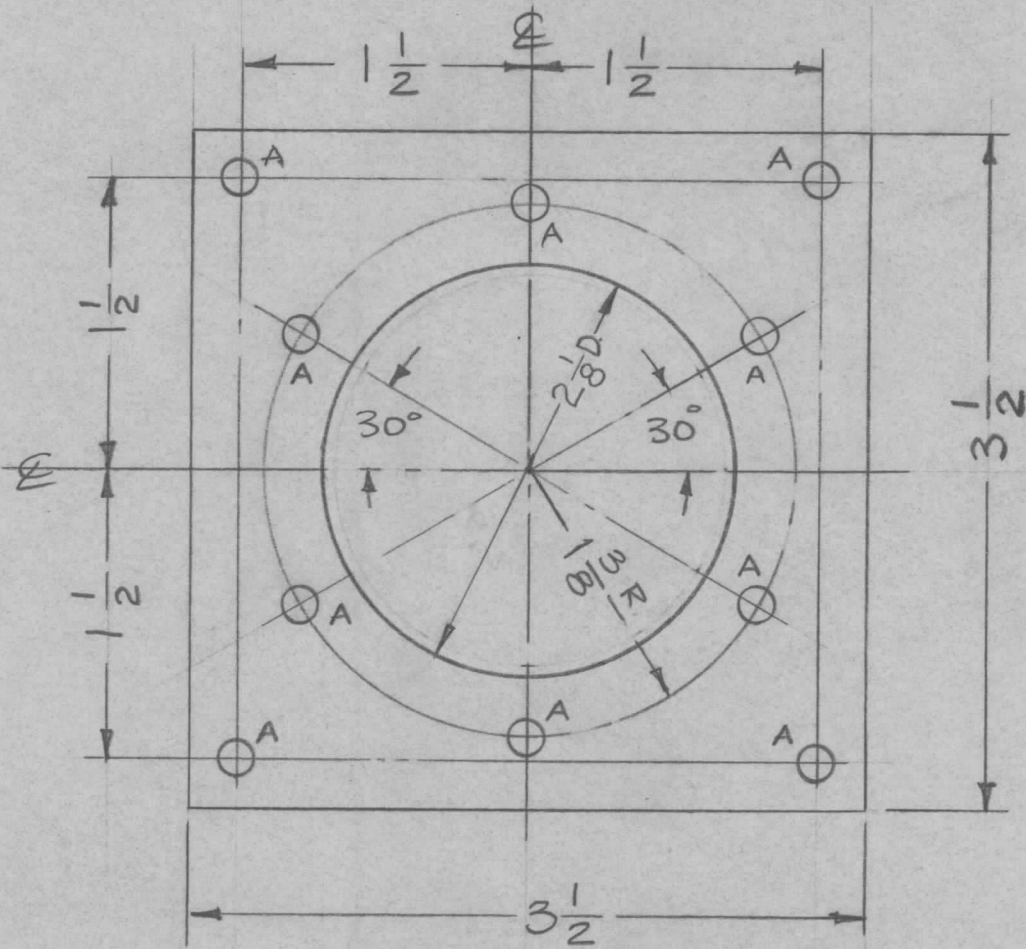


A- $\frac{13}{64}$ (.203)D. - 10 Req.

REQ. PER UNIT	USED ON			MS-2108	A
	MODEL	ASS'Y. NO.	DATE		
1	AT-101(40K)		3-12-60		



ISSUE	ITEM	CHANGED FROM	DATE	CH. NO.	DRAFTS	CHECKER	ENG. APP.	REQ.	ITEM	PART NO.	DESCRIPTION	SYMBOL	
											THE TECHNICAL MATERIEL CORP. MAMARONECK, NEW YORK		
											PLATE, CAPACITOR MTS. (ANTENNA TUNER)		
A	1	$2\frac{1}{8}$ DIA. WAS 2" DIA	7/22/60	262C	cy	JHE	QB						
TOLERANCES			SCALE: FULL					5052-H32		16 ³ /12/60	JHE	QB	
DEC. DIM. \pm FRAC. DIM. \pm $\frac{1}{64}$ ANGULAR DIM. \pm			MAXIMUM ALLOWABLE TOLERANCES HAVE BEEN DETERMINED AND ANY DEVIATIONS WILL BE CAUSE FOR REJECTION. REMOVE ALL BURRS AND SHARP EDGES					TYPE & TEMPER 5404 Iridite	HEAT TREAT. SPEC.	DRAWN	CHECKED	FINAL APPROVAL	
								FINISH & SPEC. NO.	ELEC. DES. APP.	MECH. DES. APP.	MS-2108	A	