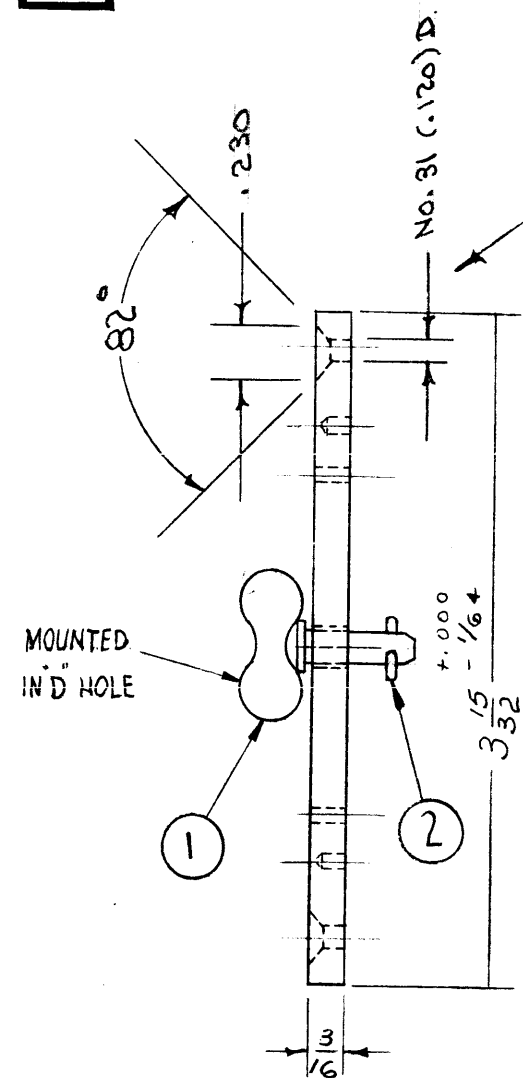
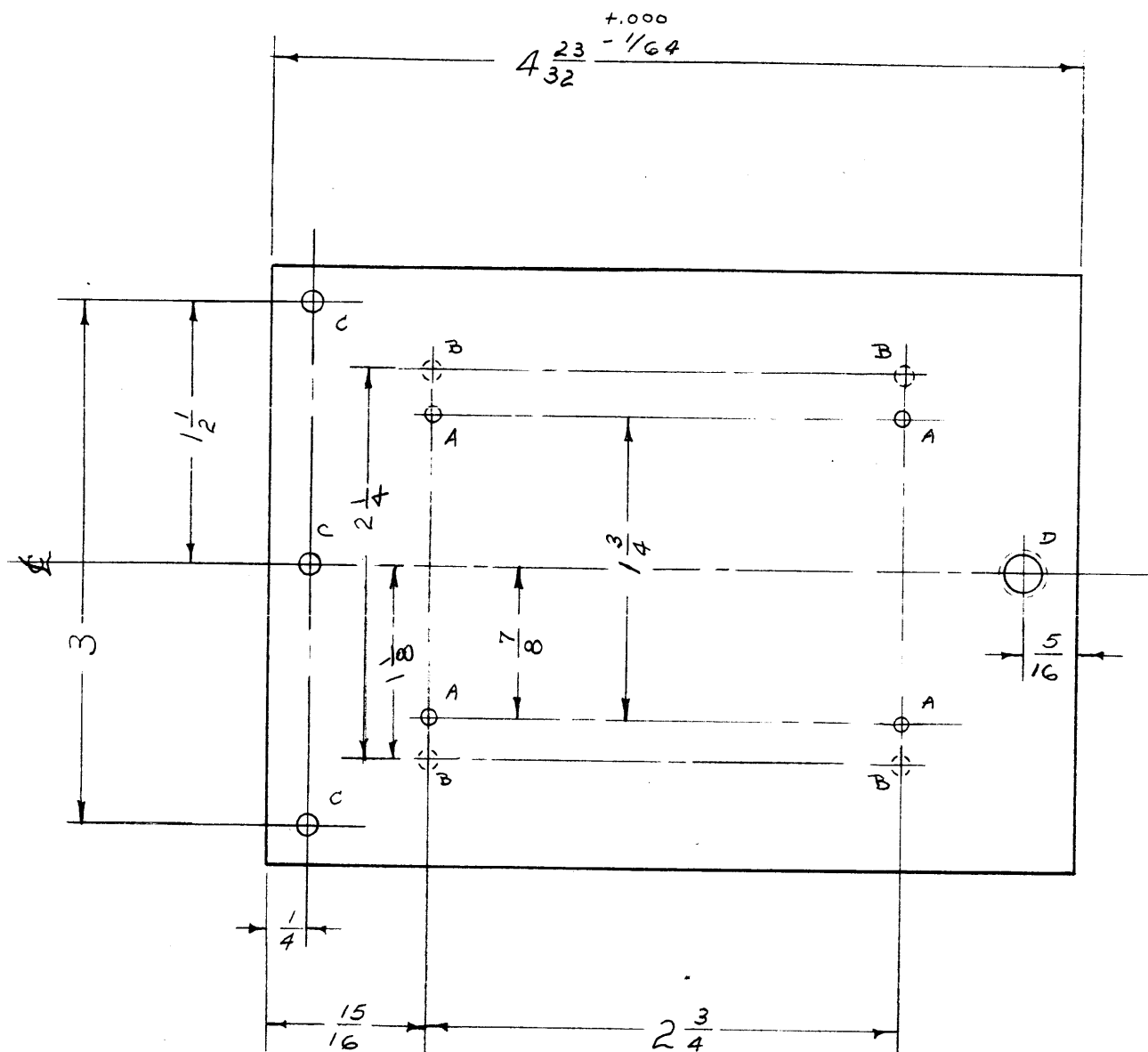


IF IT IS FOUND DESIRABLE TO CHANGE ANY TOLERANCE OR OTHER DETAIL SPECIFIED ON THIS DRAWING NOTIFY THE PURCHASER PROMPTLY.

MAXIMUM ALLOWABLE TOLERANCES HAVE BEEN DETERMINED AND DEVIATIONS WILL BE CAUSE FOR REJECTION. REMOVE ALL BURRS AND SHARP EDGES

MS-291 F



- A= #47(.078) DRILL 4 HOLES REQ.
- B= DRILL FROM REAR #47(.078) 1/8 DEEP 4 HOLES REQ.
- C= 1/8(.125) DIA 3 HOLES REQ.
- D= 7/32(.21875) D. 1 HOLE REQ.

NOTE:
NO SHARP EDGES
SMOOTH FINISH

NOTE: FINISH - BOTH SIDES & ALL EDGES

- S-404 YELLOW IRIDITE
 - S-114 - ZINC CHROMATE PRIMER
 - S-115 - SMOOTH GRAY ENAMEL
- OR PRIME & PAINT TO CUSTOMERS SPECIFICATION

F	1	1/8 D. "C" HOLES WERE C SINKS FOR 4-40	7/16/53	10685	SRG	File	EMN
E	2	ADD VOX 3,4,5,6 & ITEMS 1 & 2	6/21/52	6470	SRG	File	EMN
D	1	S-404 WAS S-101	12/11/59	1001	AB	File	EMN
C	2	A HOLES ADDED					
	1	REDRAWN, NO CHANGE	1-19-55	3	P.B.	File	EMN

ISSUE	ITEM	CHANGED FROM	DATE	CN. NO.	DRAFTS	CHECKER	ENG. APP.
TOLERANCES		SCALE:					
ALL OTHERS		DEC. DIM. ± FRAC. DIM. ± AN ULAR DIM. ±	DRILL, PUNCH, COMMERCIAL STOCK SIZES AND MANUFACTURERS TOLERANCES ARE NOT INCLUDED.				

1	VOX-3,4,5,6			
1	VOX-1,2	291		1-19-55
1	VOX	101		1-19-55
REQ. PER UNIT	MODEL	PROJECT NO.	ASS'Y. NO.	DATE
				USED ON

1	2	PN-106	PIN, GROSS	
1	1	FS-106-7	STUD, WING HERD	
REQ. ITEM	PART NO.		DESCRIPTION	SYMBOL
3/16 THK.			THE TECHNICAL MATERIEL CORP.	
STOCK SIZE			MAMARONECK, NEW YORK	
ALUMINUM		#	FRONT DOOR	
MATERIAL		WEIGHT PER PC.	MODEL VOX-1,2	
24 S - 73			P.B. 1-19-55	
TYPE & TEMPER			DRAWN	MECH. DES. APP.
#			ELEC. DES. APP.	
HEAT TREAT. SPEC.			CHECKED	FINAL APPROVAL
SEE NOTE				
FINISH & SPEC. NO.			MS-291	F