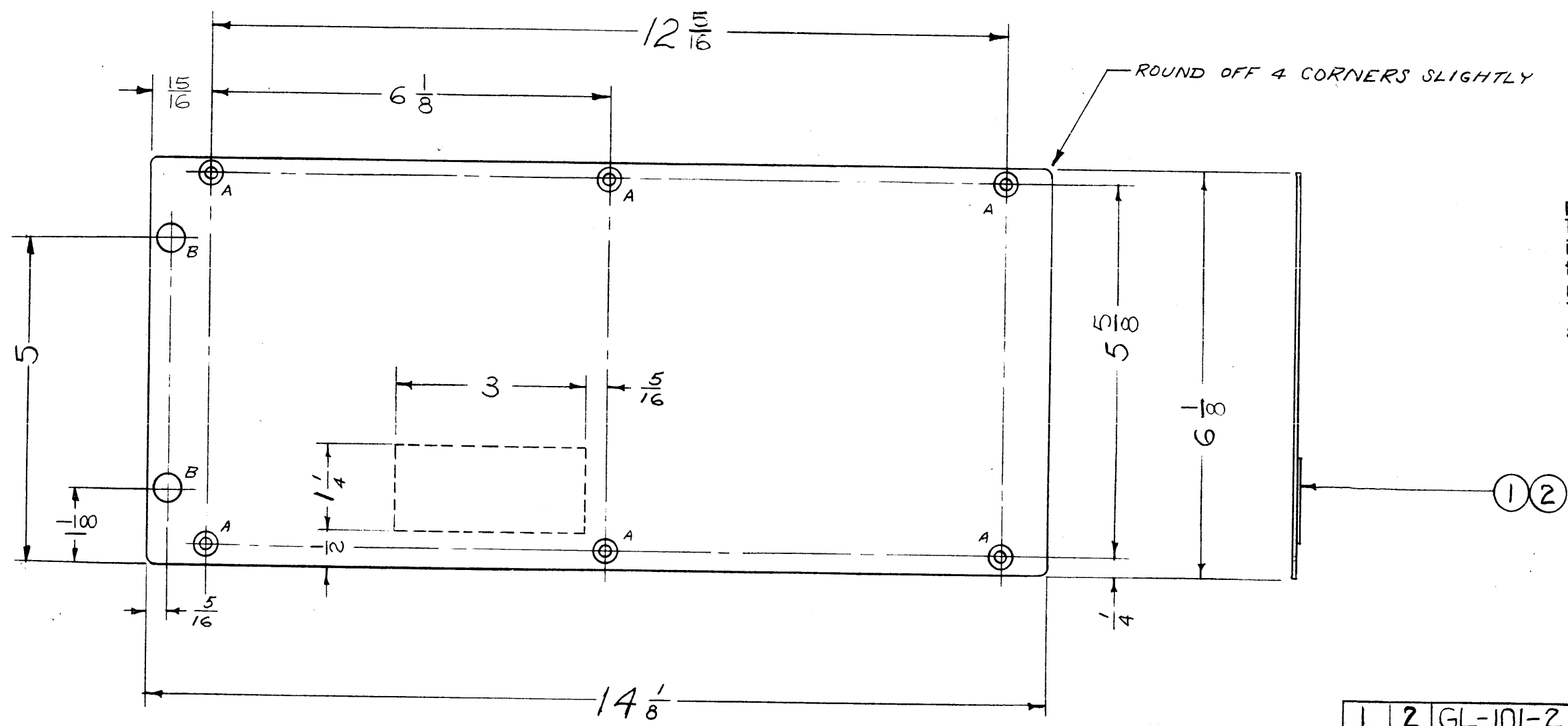


IF IT IS FOUND DESIRABLE TO CHANGE ANY TOLERANCE OR OTHER DETAIL SPECIFIED ON THIS DRAWING NOTIFY THE PURCHASER PROMPTLY.

MAXIMUM ALLOWABLE TOLERANCES HAVE BEEN DETERMINED AND DEVIATIONS WILL BE CAUSE FOR REJECTION. REMOVE ALL BURRS AND SHARP EDGES

MS-288 E

A = CTSK FOR .0632 FLAT HD. SC. 6 REQ.
B = 7/16 (.4375) D. 2 HOLES "



NOTICE TO PERSONS RECEIVING THIS DRAWING

THE TECHNICAL MATERIEL CORPORATION claims proprietary right in the material disclosed hereon. This drawing is issued in confidence for engineering information only and may not be reproduced or used to manufacture anything shown hereon without permission from THE TECHNICAL MATERIEL CORPORATION to the user. This drawing is loaned for mutual assistance and is subject to recall at any time.

Property of:
THE TECHNICAL MATERIEL CORPORATION
MAMARONECK, NEW YORK

E	1	12-5/16 DIM. WAS 12-1/4	3-8-62	6503	EE	<i>[Signature]</i>	<i>[Signature]</i>
D	4	6-1/8 DIM. WAS 6-1/4 (Rt. Side)	2-9-	6328	I	<i>[Signature]</i>	<i>[Signature]</i>
	3	12-1/4 DIM. WAS 12-3/8; 5-5/8 DIM. WAS 5-3/4	62		I	<i>[Signature]</i>	<i>[Signature]</i>
	2	15/16 DIM. WAS 7/8; 6-1/8 DIM. WAS 6-3/16					
	1	1-1/8 DIM. WAS 1-3/16; 1/2 DIM. WAS 9/16					
C	1	REDRAWN FROM A-917	4-28-61	4743	RU	<i>[Signature]</i>	<i>[Signature]</i>

ISSUE	ITEM	CHANGED FROM	DATE	CN. NO.	DRAFTS	CHECKER	ENG. APP.

TOLERANCES: DEC. DIM. ±, FRAC. DIM. ±, ANGULAR DIM. ±. SCALE: DRILL, PUNCH, COMMERCIAL STOCK SIZES AND MANUFACTURERS TOLERANCES ARE NOT INCLUDED.

REQ. PER UNIT	MODEL	PROJECT NO.	ASS'Y. NO.	DATE
1	VOX-2	291		1-18-55
1	VOX-1	291		1-18-55
1	VOX	101		1-18-55

1	2	GL-101-2	CEMENT - PLIOBOND #30	
1	1	IM-148	INSULATION, P.S. BOT. COVER	
REQ. ITEM	PART NO.		DESCRIPTION	SYMBOL
	.040		THE TECHNICAL MATERIEL CORP.	
STOCK SIZE			MAMARONECK, NEW YORK	
ALUMINUM		#	POWER SUPPLY BOTTOM COVER	
MATERIAL		WEIGHT PER PC.	MODEL VOX	
525 - H32			P.B. 1-18-55	
TYPE & TEMPER				
#				
HEAT TREAT. SPEC.				
CHECKED		FINAL APPROVAL		
S-404 YELLOW IRIDITE				
FINISH & SPEC. NO.				

MS-288 E