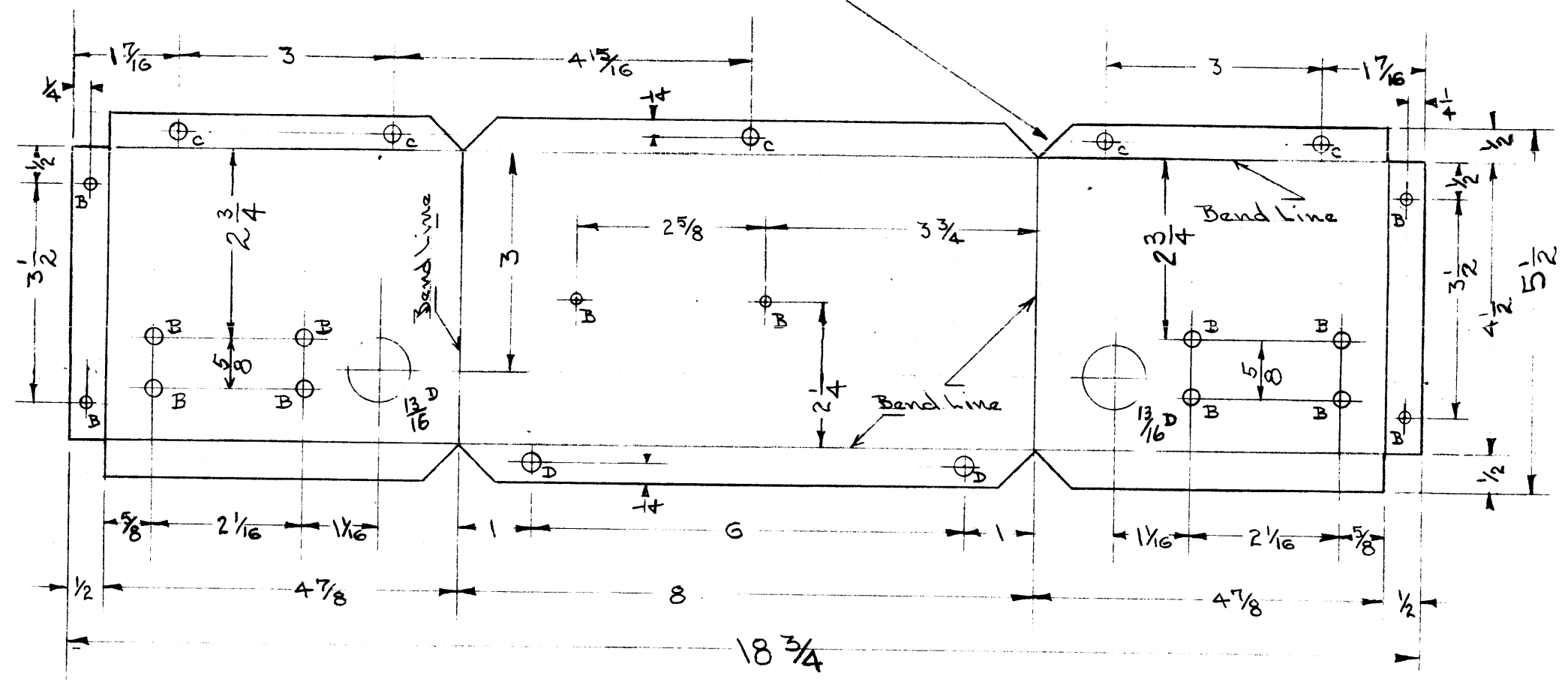


Bend All Flanges
Up 90°

Make All Notches
For Right Angle Bends



NOTICE TO PERSONS RECEIVING THIS DRAWING

THE TECHNICAL MATERIEL CORPORATION claims proprietary right in the material disclosed hereon. This drawing is issued in confidence for engineering information only and may not be reproduced or used to manufacture anything shown hereon without permission from THE TECHNICAL MATERIEL CORPORATION to the user. This drawing is loaned for mutual assistance and is subject to recall at any time.

Property of:
THE TECHNICAL MATERIEL CORPORATION
MAMARONECK, NEW YORK

SUPERCEDES BMS031

- B = 1/64 - 14 Holes
- C = 13/64 - 5 Holes
- D = 1/4 - 2 Holes

Material: 525-1/4 Hard Alum .052 GA.
Required: 1 Per Unit.
Finish: Alkali Etch & Lacquer.

CONTROL BOX	
POWER CONTROL PANEL	
MODEL DCP	
THE TECHNICAL MATERIEL CORPORATION	
MAMARONECK, NEW YORK	
DATE	5-4-51
BY	[Signature]
CF	[Signature]
NO	MS-242