

IF IT IS FOUND DESIRABLE TO CHANGE ANY TOLERANCE OR OTHER DETAIL SPECIFIED ON THIS DRAWING NOTIFY THE PURCHASER PROMPTLY.

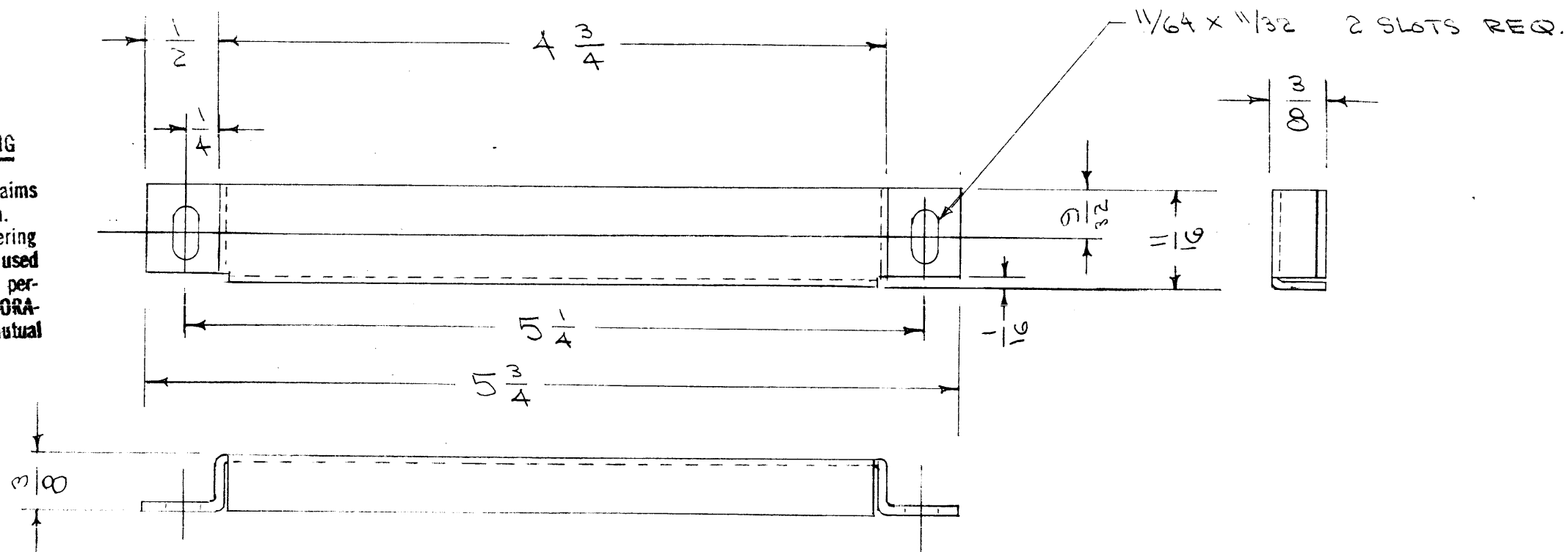
MAXIMUM ALLOWABLE TOLERANCES HAVE BEEN DETERMINED AND DEVIATIONS WILL BE CAUSE FOR REJECTION. REMOVE ALL BURRS AND SHARP EDGES

C
MS-217

NOTICE TO PERSONS RECEIVING THIS DRAWING

THE TECHNICAL MATERIEL CORPORATION claims proprietary right in the material disclosed hereon. This drawing is issued in confidence for engineering information only and may not be reproduced or used to manufacture anything shown hereon without permission from THE TECHNICAL MATERIEL CORPORATION to the user. This drawing is loaned for mutual assistance and is subject to recall at any time.

Property of:
THE TECHNICAL MATERIEL CORPORATION
MAMARONECK, NEW YORK



ISSUE	ITEM	CHANGED FROM	DATE	CN. NO.	DRAFTS	CHECKER	ENG. APP.
C	1	S-404 WAS S-101	8/11/59	1001	FB		EMN
B	2	DIMENSIONING CHANGED	8/11/59	2	CS	JAD	
	1	REDRAWN					

TOLERANCES		SCALE:
ALL OTHERS	DEC. DIM. \pm FRAC. DIM. \pm ANGULAR DIM. \pm	DRILL, PUNCH, COMMERCIAL STOCK SIZES AND MANUFACTURERS TOLERANCES ARE NOT INCLUDED.

REQ. PER UNIT	MODEL	PROJECT NO.	ASS'Y. NO.	DATE
1	XFK		A-367	8-2-59

REQ. ITEM	PART NO.	DESCRIPTION	SYMBOL
.051		THE TECHNICAL MATERIEL CORP., MAMARONECK, NEW YORK	
ALUMINUM	—H—	SPACE COVER, FRONT	
MATERIAL	WEIGHT PER PC.	XFK	
5052	4 32		
TYPE & TEMPER		ADD. BLISTER	WE
HEAT TREAT. SPEC.		DRAWN	ELEC. DES. APP. MECH. DES. APP.
S-404 YELLOW IRIDITE		CHECKED	FINAL APPROVAL
FINISH & SPEC. NO.			MS-217 C