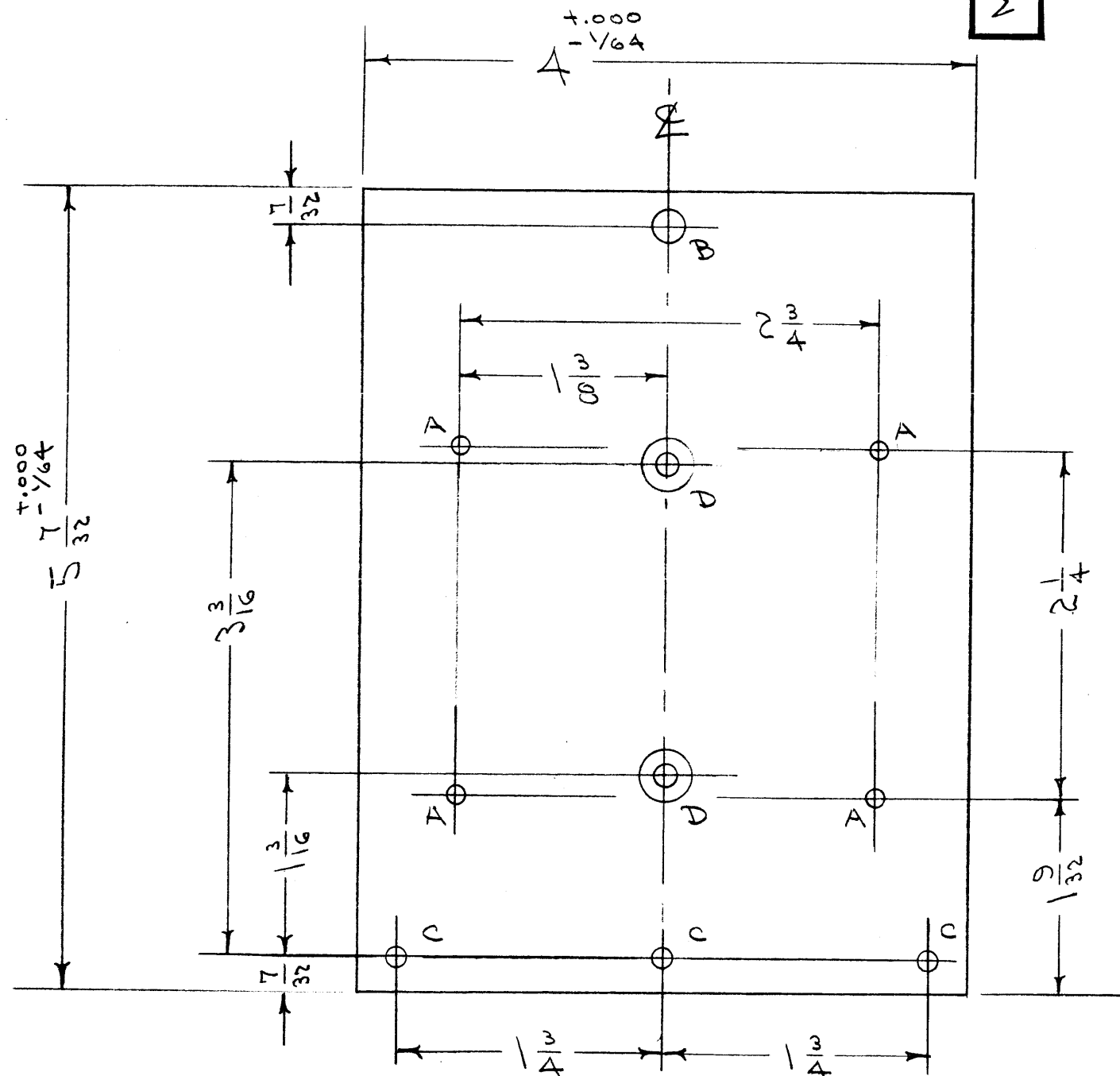


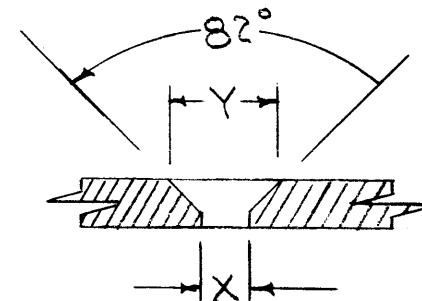
IF IT IS FOUND DESIRABLE TO CHANGE ANY TOLERANCE OR OTHER DETAIL SPECIFIED ON THIS DRAWING NOTIFY THE PURCHASER PROMPTLY.

MAXIMUM ALLOWABLE TOLERANCES HAVE BEEN DETERMINED AND DEVIATIONS WILL BE CAUSE FOR REJECTION. REMOVE ALL BURRS AND SHARP EDGES

F
MS-210



- A - #38 (.101) D. 4 HOLES REQ.
- B - 1/4 (.250) D. 1 " "
- C - 1/8 (.125) DIA 3 " "
- D - SEE CHART 2 " "



HOLE	DIM	SIZE
D	X	#27 (.144)
	Y	.284

NOTICE TO PERSONS RECEIVING THIS DRAWING

THE TECHNICAL MATERIEL CORPORATION claims proprietary right in the material disclosed hereon. This drawing is issued in confidence for engineering information only and may not be reproduced or used to manufacture anything shown hereon without permission from THE TECHNICAL MATERIEL CORPORATION to the user. This drawing is loaned for mutual assistance and is subject to recall at any time.

Property of:

THE TECHNICAL MATERIEL CORPORATION
MAMARONECK, NEW YORK

NOTE: FINISH - (ALL SURFACES)
S-404 YELLOW IRIDITE
S-114 ZINC CHROMATE PRIMER
S-115 SMOOTH GRAY ENAMEL
OR PRIME & PAINT TO CUSTOMERS SPEC.

ISSUE	ITEM	CHANGED FROM	DATE	CN. NO.	DRAFTS	CHECKER	ENG. APP.
F	1	"C" HOLES REVISED DWG UPDATED	10/3/63	10131	AD	SAB	WJS
E	1	S-404 WAS S-101	11/1/59	1001	AB		EMN
D	1	1/4 WAS 1/32 D	5/15/56	4	JAB		
C	1	"C" SUNK DETAIL ADDED	5/15/56	3	COO		

TOLERANCES		SCALE:
ALL OTHERS	DEC. DIM. ± FRAC. DIM. ± 1/64 ANGULAR DIM. ±	DRILL, PUNCH, COMMERCIAL STOCK SIZES AND MANUFACTURERS TOLERANCES ARE NOT INCLUDED.

1	XFK	A-709	5-19-55
REQ. PER UNIT	MODEL	PROJECT NO.	DATE
USED ON			

REQ.	ITEM	PART NO.	DESCRIPTION	SYMBOL
		3/16 THK.	THE TECHNICAL MATERIEL CORP.	
		STOCK SIZE	MAMARONECK, NEW YORK	
		ALUMINUM	DOOR, FRONT	
		MATERIAL WEIGHT PER PC.	XFK	
		2024 T3	ADD. 5-19-55	
		TYPE & TEMPER	DRAWN	ELEC. DES. APP.
		HEAT TREAT. SPEC.	CHECKED	FINAL APPROVAL
		SEE NOTE		
		FINISH & SPEC. NO.	MS-210	F