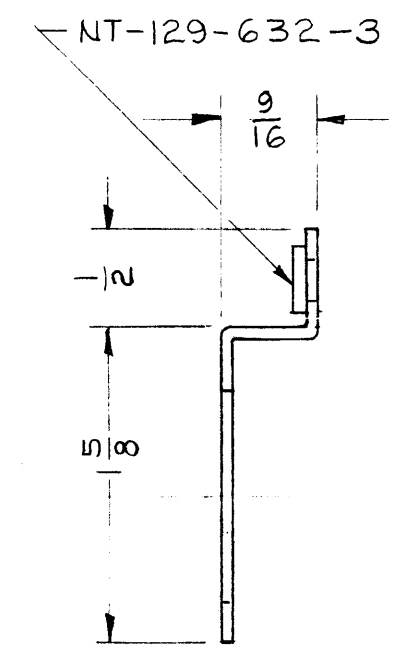
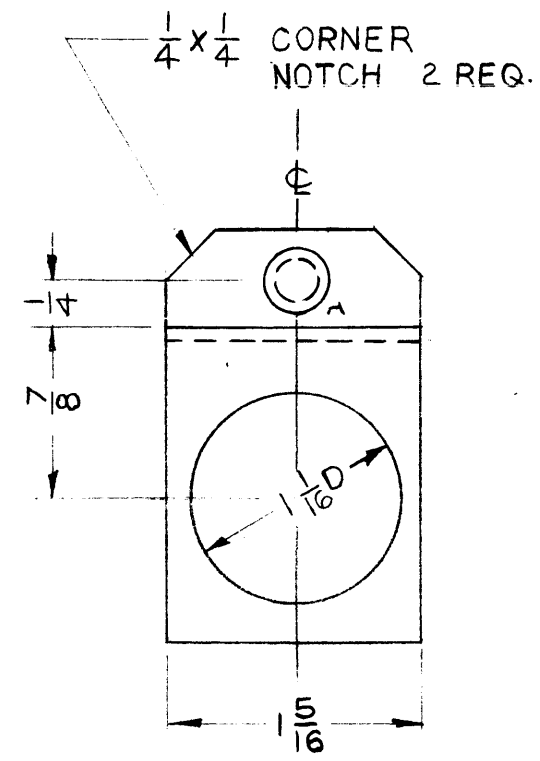


MS-2058 B

A ~ $\frac{.191}{.194}$

1 REQ.



NOTICE TO PERSONS RECEIVING THIS DRAWING

THE TECHNICAL MATERIEL CORPORATION claims proprietary right in the material disclosed hereon. This drawing is issued in confidence for engineering information only and may not be reproduced or used to manufacture anything shown hereon without permission from THE TECHNICAL MATERIEL CORPORATION to the user. This drawing is loaned for mutual assistance and is subject to recall at any time.

Property of:
 THE TECHNICAL MATERIEL CORPORATION
 MAMARONECK, NEW YORK

ISSUE	ITEM	CHANGED FROM	DATE	CH. NO.	DRAFTS	CHECKER	ENG. APP.
B	1	1/16 Dim. Deleted	11-14-61	5834	EB	<i>[Signature]</i>	<i>[Signature]</i>
A		NT- PUT ON OPPOSITE SIDE DIM. 9/16 WAS 1/2	5/11/60	2258	CS	<i>[Signature]</i>	<i>[Signature]</i>

TOLERANCES

SCALE: -

DEC. DIM. ±
 FRAC. DIM. ± 1/64
 ANGULAR DIM. ±

MAXIMUM ALLOWABLE TOLERANCES HAVE BEEN DETERMINED AND ANY DEVIATIONS WILL BE CAUSE FOR REJECTION.
 REMOVE ALL BURRS AND SHARP EDGES

4	GPT-40K	AX-209		2/24/60
REQ. PER UNIT	MODEL	PROJECT NO.	ASS'Y. NO.	DATE
USED ON				

1	1	NT-129-632-3	SWAGE NUT		
REQ. ITEM	PART NO.		DESCRIPTION		SYMBOL
		.051 THK STOCK SIZE	THE TECHNICAL MATERIEL CORP. MAMARONECK, NEW YORK		
		ALUMINUM	BRACKET, RESISTOR MTG., PA DECK		
		MATERIAL			
		5052-H32	<i>[Signature]</i>	<i>[Signature]</i>	<i>[Signature]</i>
		TYPE & TEMPER	HEAT TREAT. SPEC.	DRAWN	CHECKED
		B404 IRIDITE		<i>[Signature]</i>	<i>[Signature]</i>
		FINISH & SPEC. NO.	ELEC. DES. APP.	MECH. DES. APP.	
					MS-2058 B