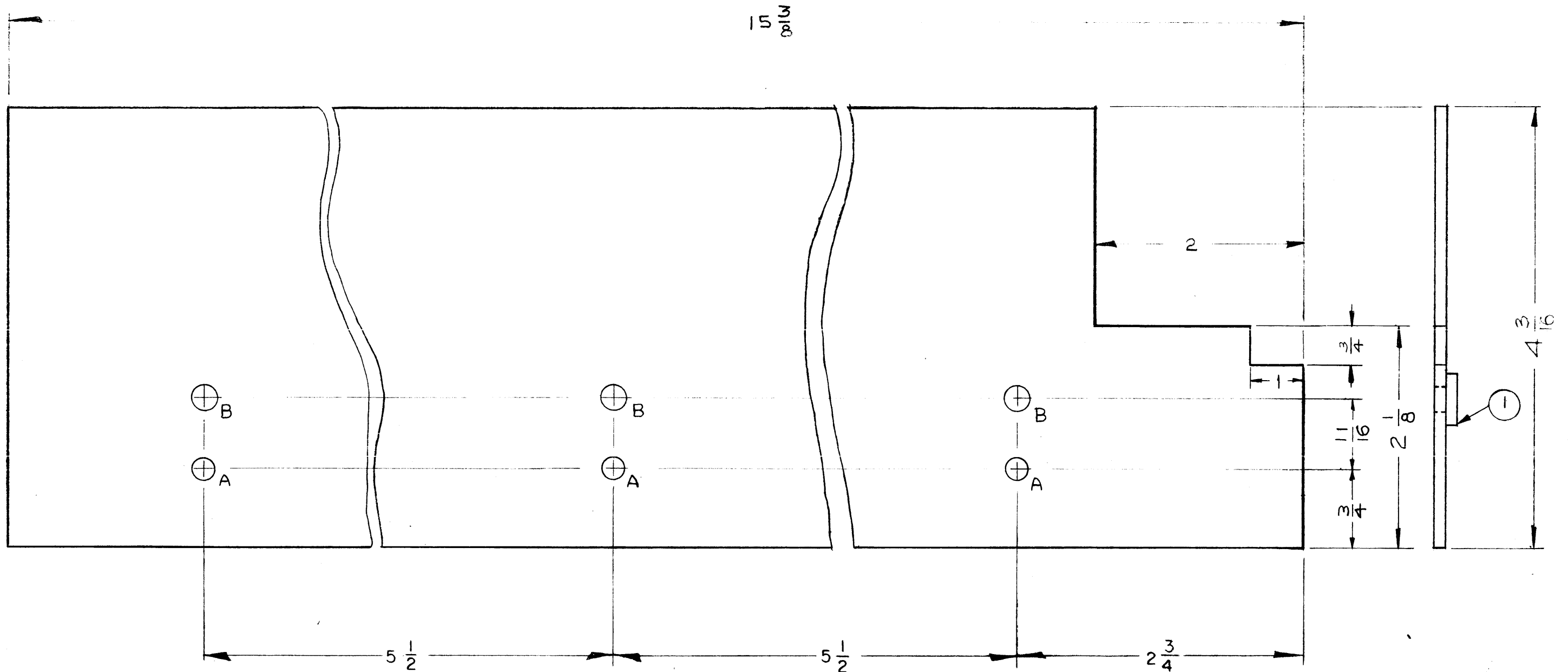


A -  $\frac{13}{64}$  D 3 REQ.  
 B -  $\frac{221}{224}$  D 3 REQ.



**NOTICE TO PERSONS RECEIVING THIS DRAWING**

THE TECHNICAL MATERIEL CORPORATION claims proprietary right in the material disclosed hereon. This drawing is issued in confidence for engineering information only and may not be reproduced or used to manufacture anything shown hereon without permission from THE TECHNICAL MATERIEL CORPORATION to the user. This drawing is loaned for mutual assistance and is subject to recall at any time.

Property of:

THE TECHNICAL MATERIEL CORPORATION  
 MAMARONECK, NEW YORK

ISSUE	ITEM	CHANGED FROM	DATE	CH. NO.	DRAFTS	CHECKER	ENG. APP.
B	1	1x3/4" NOTCH ADDED	10/18/60	3215	RA	<i>[Signature]</i>	<i>[Signature]</i>
A	3	3/4 DIM. WAS 15/16 DIM.	8/3	2	ay	<i>[Signature]</i>	<i>[Signature]</i>
	2	4-V4 DIM. WAS 4-3/8	60	82	<i>[Signature]</i>	<i>[Signature]</i>	<i>[Signature]</i>
	1	3/4 LIP DELETED					

TOLERANCES		SCALE: $\frac{1}{4}$
DEC. DIM. $\pm$	MAXIMUM ALLOWABLE TOLERANCES HAVE BEEN DETERMINED AND ANY DEVIATIONS WILL BE CAUSE FOR REJECTION. REMOVE ALL BURRS AND SHARP EDGES	
FAC DIM. $\pm$		
FAC DIM. $\pm$ 64		

REQ. PER UNIT	1	GPT-40K	AX-211	MAMARONECK, NEW YORK	2-12-60
		MODEL	PROJECT NO.	ASS'Y. NO.	DATE
USED ON					

3	1	NT-129-832-6	NUT, SWAGE, ROUND TYPE		
REQ. ITEM	PART NO.		DESCRIPTION		SYMBOL
	1/8 THICK		THE TECHNICAL MATERIEL CORP.		
	STOCK SIZE		MAMARONECK, NEW YORK		
	ALUMINUM		LEFT SIDE BRACKET, SHIELD		
MATERIAL					
5052-H32			<i>[Signature]</i>		<i>[Signature]</i>
TYPE & TEMPER		HEAT TREAT. SPEC.	DRAWN	CHECKED	FINAL APPROVAL
S404		YELLOW IRIDITE		<i>[Signature]</i>	MS-2048 B
FINISH & SPEC. NO.		ELEC. DES. APP.	MECH. DES. APP.		