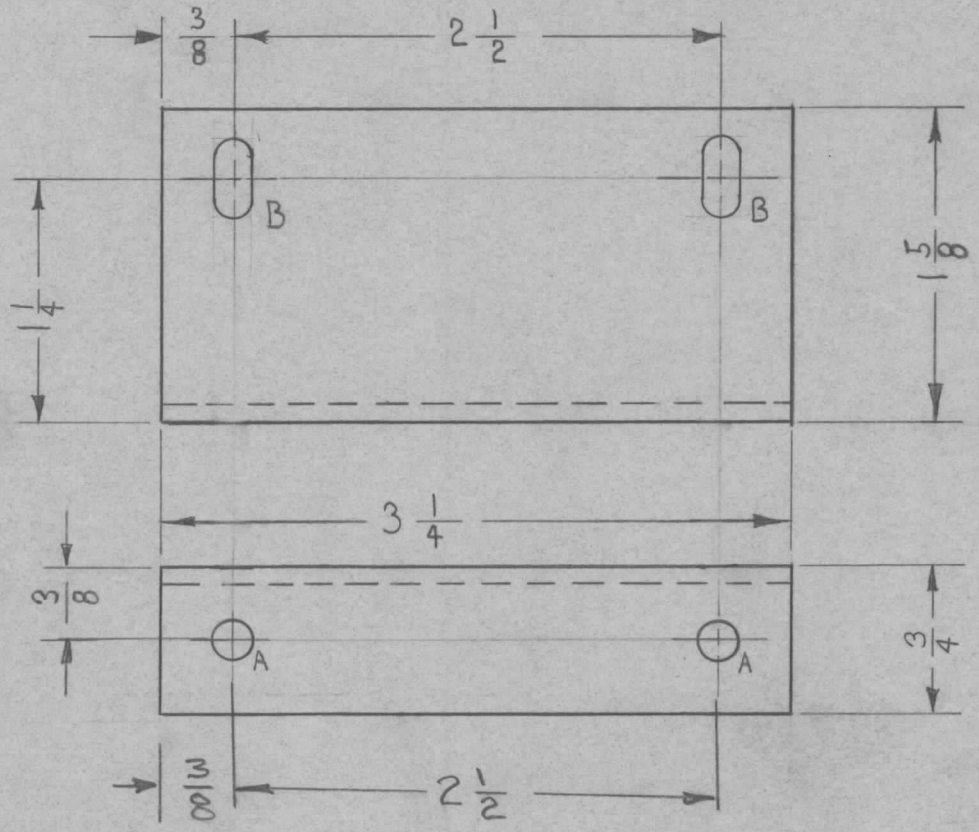


REQ. PER UNIT	USED ON		
	MODEL	ASS'Y. NO.	DATE
2	AX-209	GPT-40K	2-8-60
2	AT-101	40K	4-14-60
2	AT-103	40K	10-23-61

MS-2047



A - 13/64 (.203) D. 2 REQ'D.  
 B - 13/64 x 13/32 SLOT 2 REQ'D.

ISSUE	ITEM	CHANGED FROM	DATE	CH. NO.	DRAFTS	CHECKER	ENG. APP.	REQ. ITEM	PART NO.	DESCRIPTION	SYMBOL		
										<b>THE TECHNICAL MATERIEL CORP.</b> MAMARONECK, NEW YORK BRACKET, SUPPORT, FIXED CAPACITOR			
									.081 THK.				
									STOCK SIZE				
									ALUMINUM				
									MATERIAL				
								5052-H32		<i>MF</i> <i>file</i> <i>2B</i>			
									TYPE & TEMPER	HEATTREAT. SPEC.	DRAWN	CHECKED	FINAL APPROVAL
									S404 YELL IRIDITE			<i>RLN</i>	MS-2047
									FINISH & SPEC. NO.	ELEC. DES. APP	MECH. DES. APP		

TOLERANCES  
 DEC. DIM. ±  
 FRAC. DIM. ± 1/64  
 ANGULAR DIM. ±

SCALE: FULL  
 MAXIMUM ALLOWABLE TOLERANCES HAVE BEEN DETERMINED AND ANY DEVIATIONS WILL BE CAUSE FOR REJECTION.  
 REMOVE ALL BURRS AND SHARP EDGES