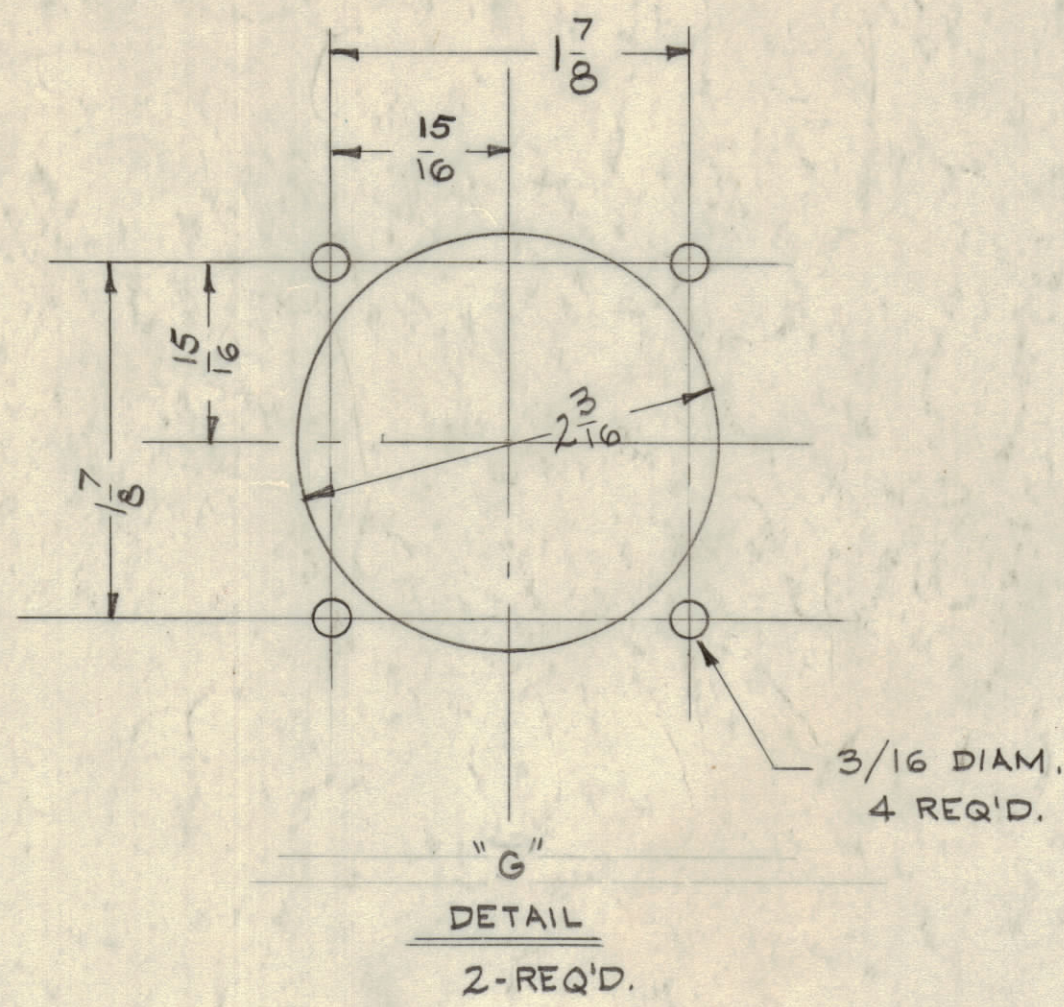


IF IT IS FOUND DESIRABLE TO CHANGE ANY TOLERANCE OR OTHER DETAIL SPECIFIED ON THIS DRAWING NOTIFY THE PURCHASER PROMPTLY.
 MAXIMUM ALLOWABLE TOLERANCES HAVE BEEN DETERMINED AND DEVIATIONS WILL BE CAUSE FOR REJECTION. REMOVE ALL BURRS AND SHARP EDGES

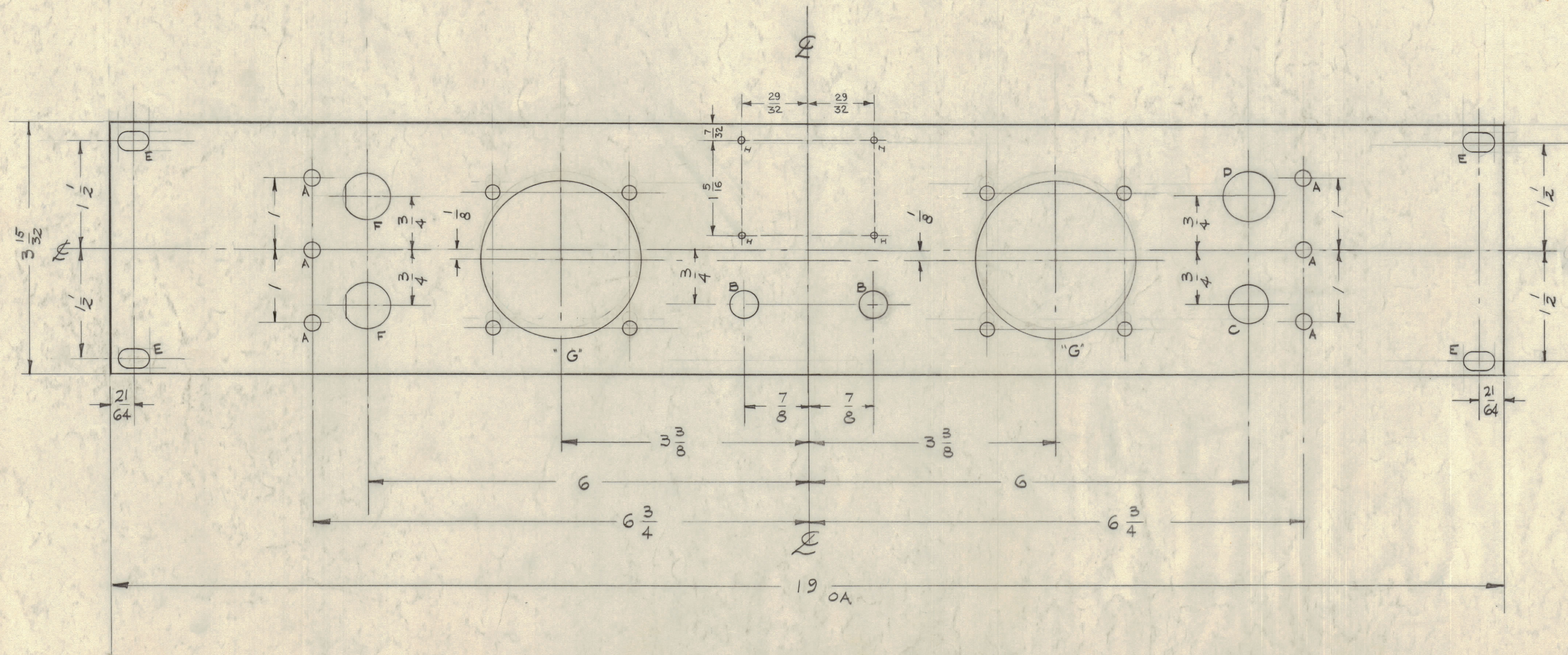
NOTICE TO PERSONS RECEIVING THIS DRAWING

THE TECHNICAL MATERIEL CORPORATION claims proprietary right in the material disclosed herein. This drawing is issued in confidence for engineering information only and may not be reproduced or used to manufacture anything shown hereon without permission from THE TECHNICAL MATERIEL CORPORATION to the user. This drawing is loaned for mutual assistance and is subject to recall at any time.

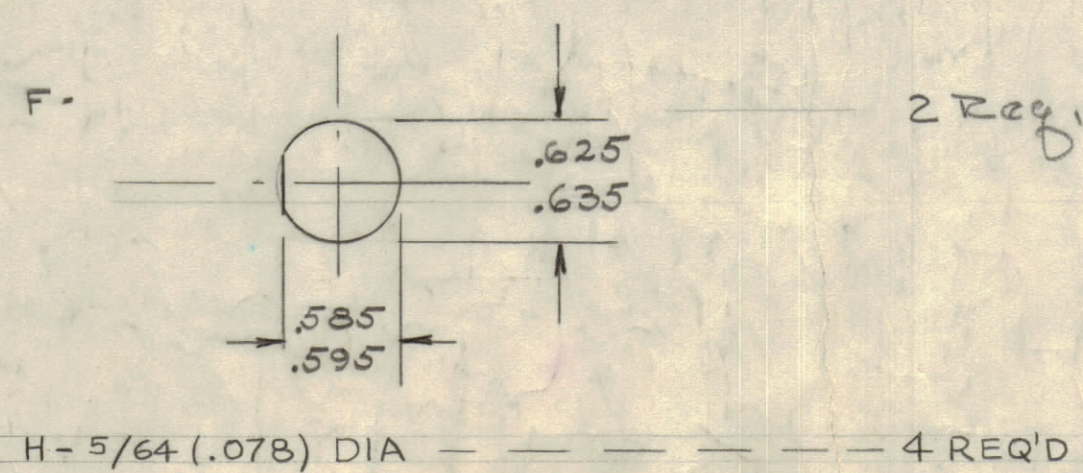
Property of:
 THE TECHNICAL MATERIEL CORPORATION
 MAMARONECK, NEW YORK



FRONT VIEW



HOLES	REQ'D.
A - 7/32 (.218) DIAM.	6
B - 3/8 (.375) "	2
C - 17/32 (.531) "	1
D - 11/16 (.687) "	1
E - 1/4 x 13/32 SLOT	4



MACHINING

- 1.- LATERAL BOW OF PANEL MUST BE KEPT TO .031 TOLERANCE.
- 2-MILL ALL EDGES
- 3-HOLES MUST BE DRILLED
- 4-PANEL MUST BE FREE OF ALL MACHINING MARKS, GOUGES, & SCRATCHES.

FINISH NOTE:
 S404 YELLOW IRIDITE
 S114 ZINC CHROMATE PRIMER - FRONT &
 S115 SMOOTH GREY ENAMEL - EDGES ONLY

B.L.D - 634 - LET. REAR
 REF: B.L.D - 635 - ENG. FRONT PANEL

REQ. ITEM	PART NO.	DESCRIPTION	SYMBOL
	3/16	THE TECHNICAL MATERIEL CORP. MAMARONECK, NEW YORK	
	ALUMINUM	PANEL, FRONT	
	2024 - T3	SIDEBAND LEVEL MONITOR	
		DRAWN: <i>Handwritten</i> ELEC. DES. APP. MECH. DES. APP.	
		CHECKED: <i>Handwritten</i> FINAL APPROVAL: <i>Handwritten</i>	
		SEE FINISH NOTE	
		FINISH & SPEC. NO.	MS-1903 A

ISSUE	ITEM	CHANGED FROM	DATE	EN. NO.	DRAFTS	CHECKER	ENG. APP.
A		4 "H" HOLES ADDED	5.1.64	11317	ARB	Q	QRB

MS-1903 A