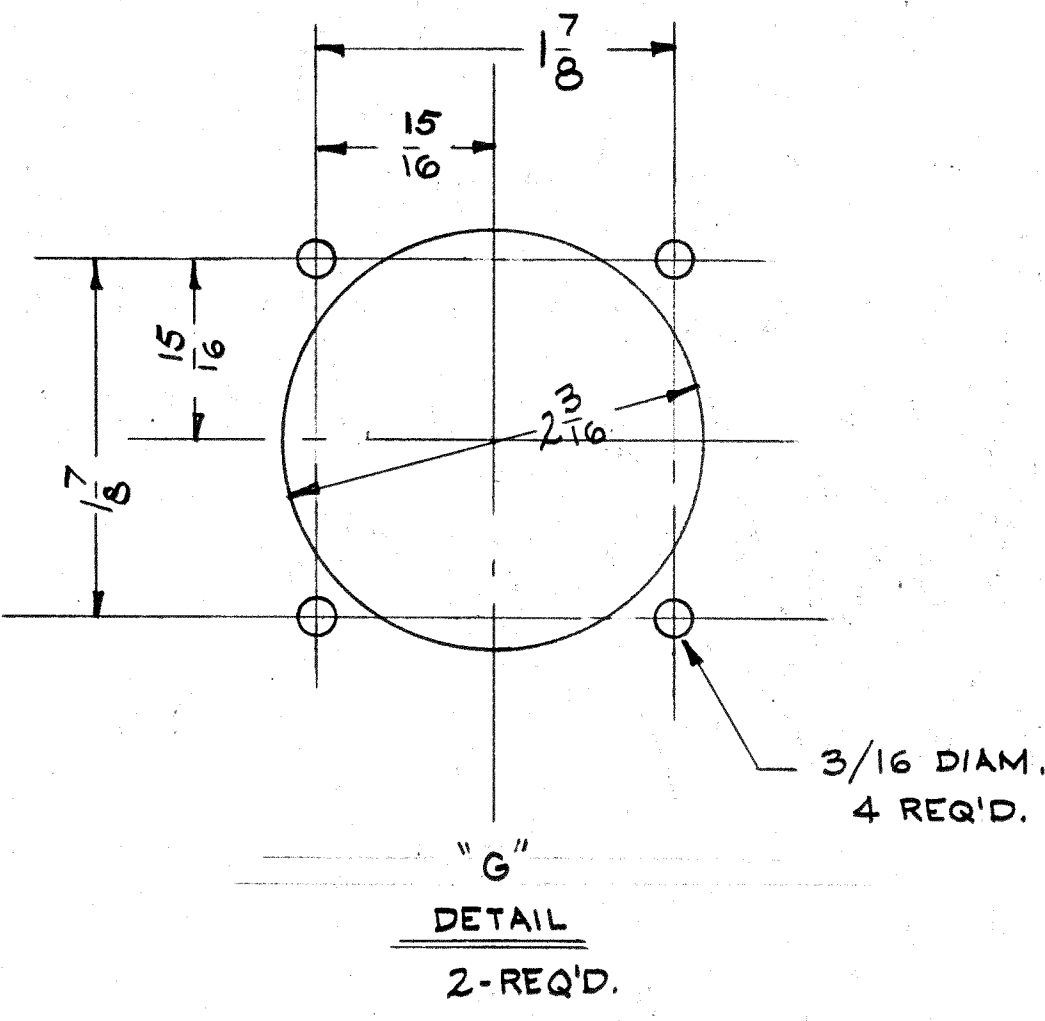
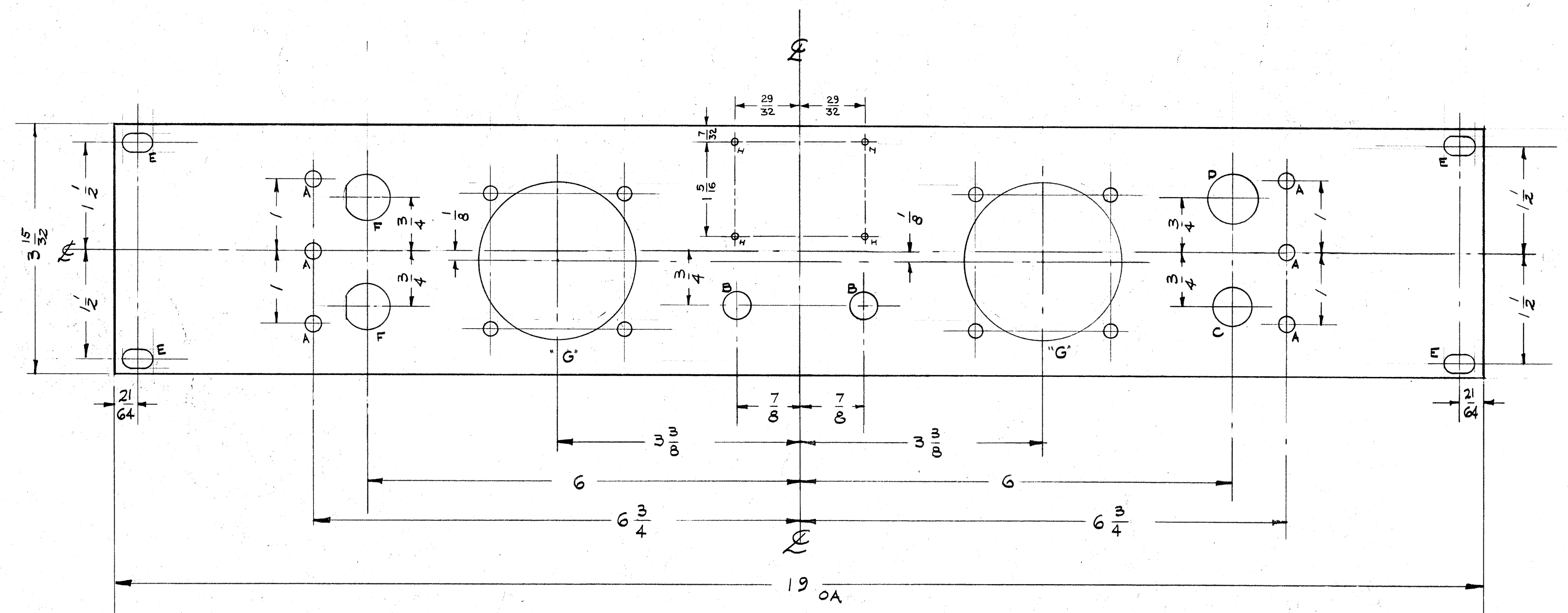


IF IT IS FOUND DESIRABLE TO CHANGE ANY TOLERANCE OR OTHER DETAIL SPECIFIED ON THIS DRAWING NOTIFY THE PURCHASER PROMPTLY.  
 MAXIMUM ALLOWABLE TOLERANCES HAVE BEEN DETERMINED AND DEVIATIONS WILL BE CAUSE FOR REJECTION.  
 REMOVE ALL BURRS AND SHARP EDGES

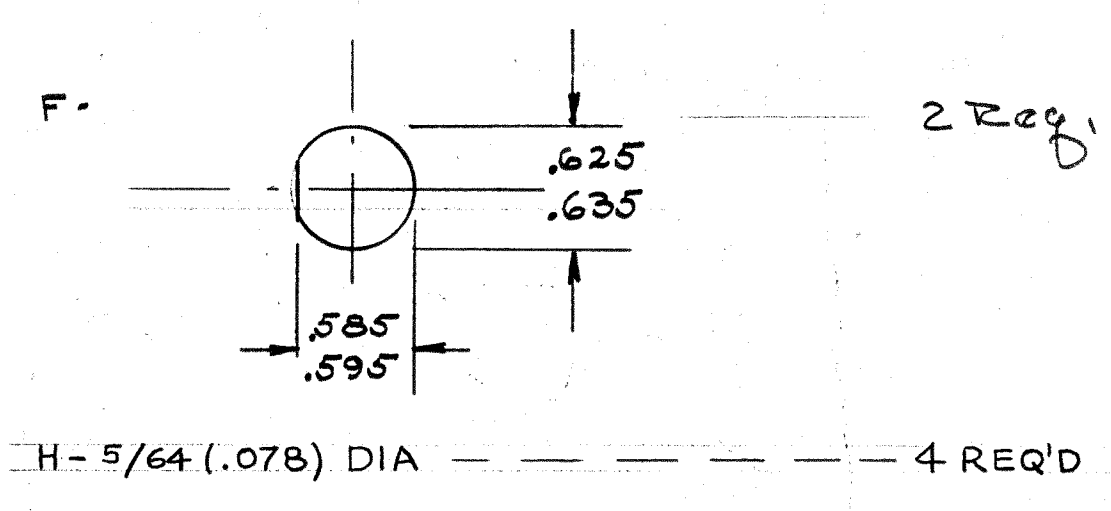
**NOTICE TO PERSONS RECEIVING THIS DRAWING**  
 THE TECHNICAL MATERIEL CORPORATION claims proprietary right in the method of its test fixtures. This drawing is issued in confidence, and its use is restricted to the manufacture of test fixtures only and may not be used for any other purpose without the written permission from THE TECHNICAL MATERIEL CORPORATION to the user. This drawing is loaned for mutual assistance and is subject to recall at any time.  
 Property of:  
 THE TECHNICAL MATERIEL CORPORATION  
 MAMARONECK, NEW YORK



**FRONT VIEW**



HOLES	REQ'D.
A - 7/32 (.218) DIAM.	6
B - 3/8 (.375) "	2
C - 17/32 (.531) "	1
D - 11/16 (.687) "	1
E - 1/4 x 13/32 SLOT	4



**MACHINING**  
 1- LATERAL BOW OF PANEL MUST BE KEPT TO .031 TOLERANCE.  
 2- MILL ALL EDGES  
 3- HOLES MUST BE DRILLED  
 4- PANEL MUST BE FREE OF ALL MACHINING MARKS, GOUGES, & SCRATCHES.

**FINISH NOTE:**  
 S404 YELLOW IRIDIOTE  
 S114 ZINC CHROMATE PRIMER - FRONT &  
 S115 SMOOTH GREY ENAMEL - EDGES ONLY

8-LD-634 - LET. REAR  
 REF: 8-LD-635 - ENG. FRONT PANEL

REQ. ITEM	PART NO.	DESCRIPTION	SYMBOL
3/16		THE TECHNICAL MATERIEL CORP. MAMARONECK, NEW YORK	
ALUMINUM		PANEL, FRONT	
MATERIAL		SIDE BAND LEVEL MONITOR	
2024 - T3		DRAWN: H.W. 12-30-59	MECH. DES. APP. T.A.
TYPE & TEMPER		CHECKED: H.W.	FINAL APPROVAL
HEAT TREAT. SPEC.			
SEE FINISH NOTE			
FINISH & SPEC. NO.			MS-1903 A

A	4 "H" HOLES ADDED	5.1.64	11317	KTB	Q	Q
ISSUE ITEM	CHANGED FROM	DATE	CN. NO.	DRAFTS	CHECKER	ENG. APP.
TOLERANCES						
SCALE:						
ALL OTHERS	DEC. DIM. ±	DRILL, PUNCH, COMMERCIAL STOCK				
	FRAC. DIM. ±	SIZES AND MANUFACTURERS				
	ANGULAR DIM. ±	TOLERANCES ARE NOT INCLUDED.				

1	SLM-2	PROJECT NO.	DATE	10-19-59
REQ PER UNIT	MODEL	ASBY. NO.	DATE	
USED ON				

MS-1903 A