

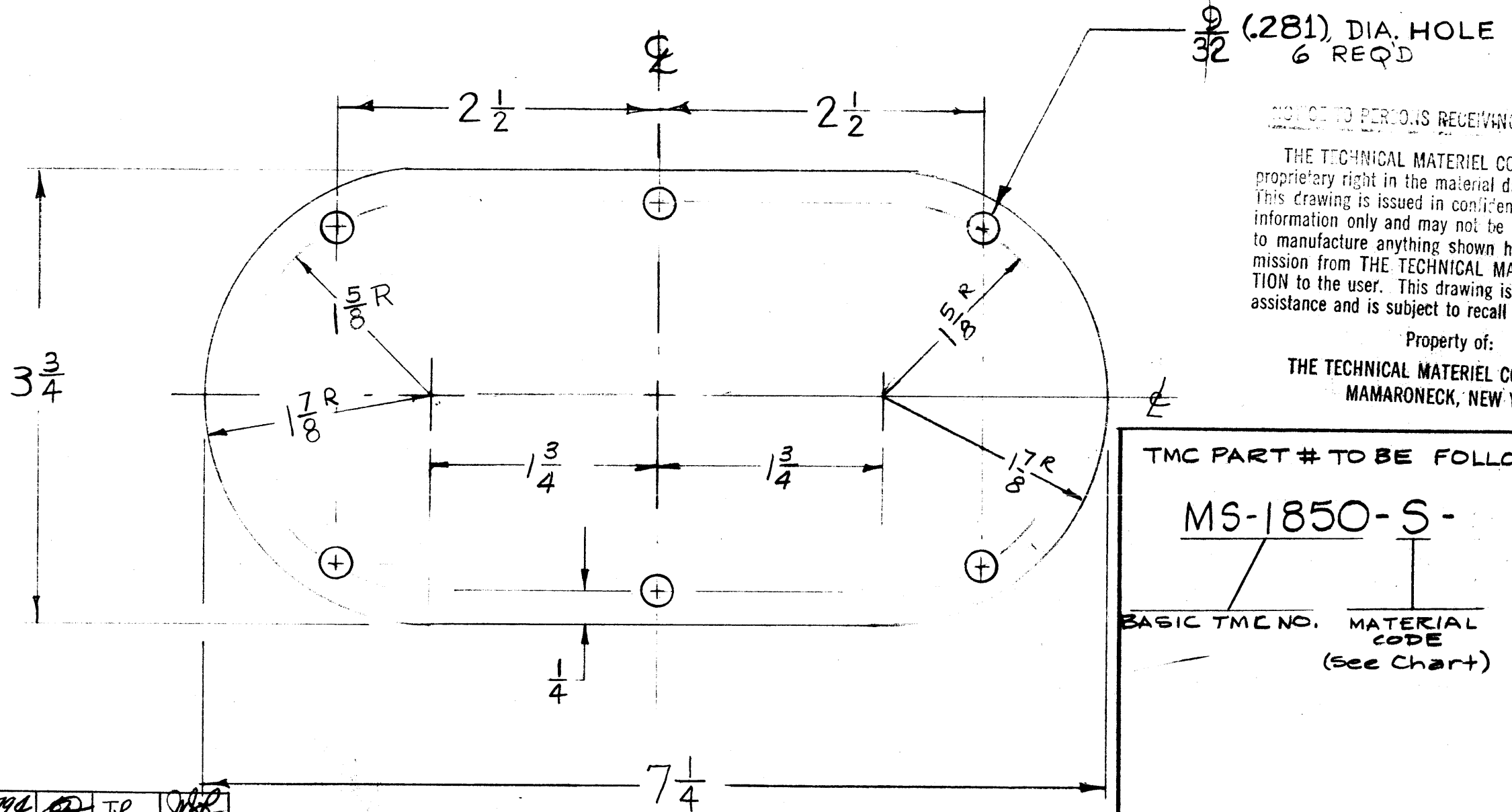
MS-1850

MATERIAL CODE	MATERIAL	PRIME OR DIP	FINISH
S	STEEL 14 GA.	S114 ZINC CHROM.	S520 TMC RCAF BLUE GRAY ENAMEL SMOOTH
A	ALUMINUM 12 GA.-5052-H32		S404 IRIDITE

NOTE: OR PRIME AND PAINT TO CUSTOMERS SPEC.

**FINISH NOTE:**

DEGREASE & PREPARE SURFACE  
FOR FINISHES AS PER TABLE



**NOTICE TO PERSONS RECEIVING THIS DRAWING**

THE TECHNICAL MATERIEL CORPORATION claims proprietary right in the material disclosed hereon. This drawing is issued in confidence for engineering information only and may not be reproduced or used to manufacture anything shown hereon without permission from THE TECHNICAL MATERIEL CORPORATION to the user. This drawing is loaned for mutual assistance and is subject to recall at any time.

Property of:  
THE TECHNICAL MATERIEL CORPORATION  
MAMARONECK, NEW YORK

TMC PART # TO BE FOLLOWING FORM:

MS-1850-S-

BASIC TMC NO. MATERIAL CODE  
(See Chart)

G	1	S520 WAS S220	1/23/64	10794	TR.	TR.	
F	2	RECONSTRUCT MAT CHART	5-27-60	2383			
F	1	"B" DELETED FROM PART					
E	1	DELETED "U" UNDER FROM FINISH TABLE	5-25-60				
D	1	GPT-40K ADDED	2-18-60				
C	1	PARTING CHGD. TO FAMILY TYPE	10/24/59	1499			
B	1	ADDED MAT'L COL TO TABLE	3/8/59	1256			
A	1	ADDED -1 & -2 & 3 (ADDED FINISH CHART)	9/1/59	1243			
ISSUE	ITEM	CHANGED FROM	DATE	CH. NO.	DRAFTS	CHECKER	ENG. APP.

2	GPT-40K	AX-214	2-18-60
1	GPT-10K		
1	GPT-10K		
1	GPT-10K		
1	GPT-10K		
4	RAK-9( )		
REQ. PER UNIT	MODEL	SECTION	DATE

REQ. ITEM	PART NO.	DESCRIPTION	SYMBOL
SEE TABLE		THE TECHNICAL MATERIEL CORP. MAMARONECK, NEW YORK	
SEE TABLE		DOOR, ACCESS	
TYPE & TEMPER	HEAT TREAT. SPEC.	BROWN	CHECKED
SEE NOTE & TABLE			
FINISH & SPEC. NO.	ELEC. DES. APP.	MECH. DES. APP.	FINAL APPROVAL
			MS-1850