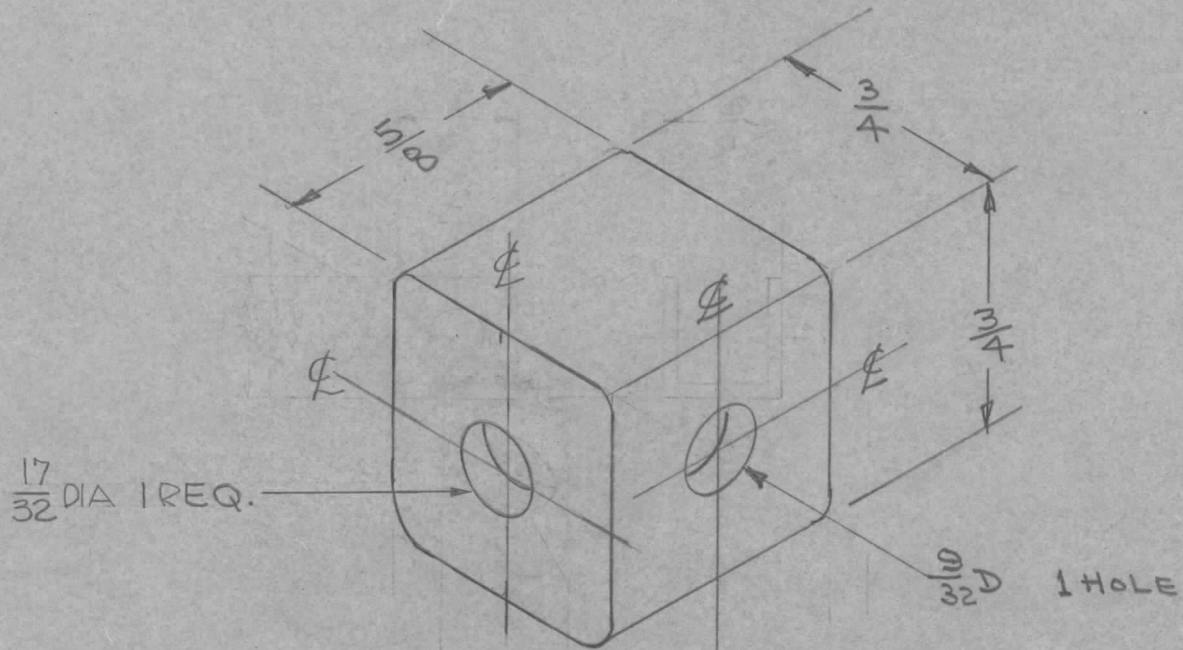


REQ. PER UNIT	USED ON			MS-1836	B
	MODEL	ASS'Y. NO.	DATE		
1	GPT-10K	A-1646	7/2/59		



REQ.	ITEM	PART NO.	DESCRIPTION				SYMBOL
		3/4 x 3/4 BAR	THE TECHNICAL MATERIEL CORP.				
		STOCK SIZE	MAMARONECK, NEW YORK				
B	1	17/32 DIA. WAS 19/32 X 15/32 SLOTTED HOLE	5-23-62	6723	EG	Handwritten initials	
A		COMPLETE REDESIGN	5/13/60	2953	Handwritten initials	Handwritten initials	
		HALF HARD BRASS	CENTER TERMINAL H.F. COIL				
		MATERIAL					
ISSUE	ITEM	CHANGED FROM	DATE	CH. NO.	DRAFTS	CHECKER	ENG. APP.
TOLERANCES			SCALE: <i>cro</i>				
DEC. DIM. ±			MAXIMUM ALLOWABLE TOLERANCES HAVE BEEN DETERMINED AND ANY DEVIATIONS WILL BE CAUSE FOR REJECTION. REMOVE ALL BURRS AND SHARP EDGES				
FRAC. DIM. ± 1/64							
ANGULAR DIM. ±							
TYPE & TEMPER		HEAT TREAT. SPEC.	DRAWN		CHECKED	FINAL APPROVAL	
NATURAL			Handwritten initials		Handwritten initials	MS-1836 B	
FINISH & SPEC. NO.		ELEC. DES. APP	MECH. DES. APP				