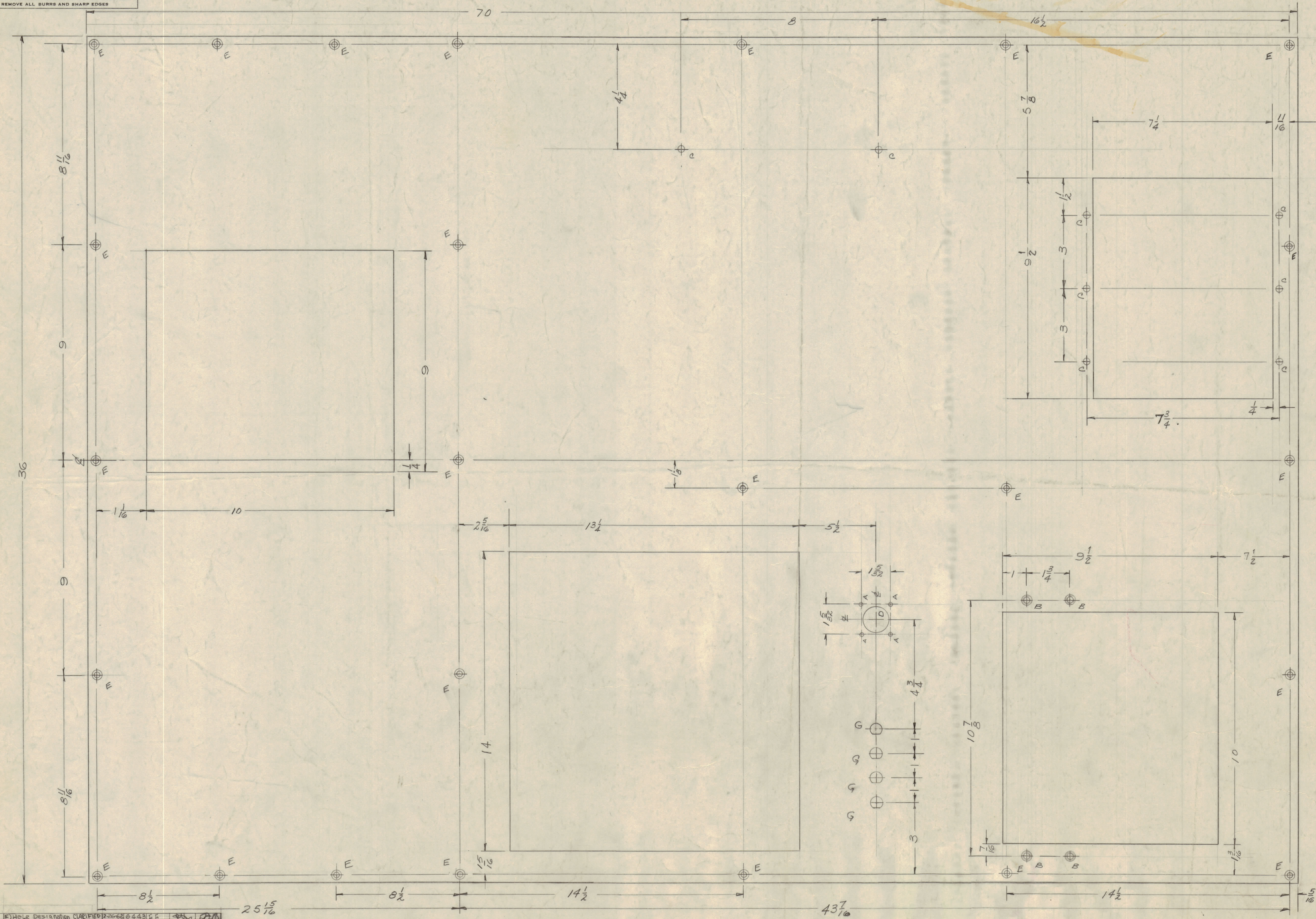
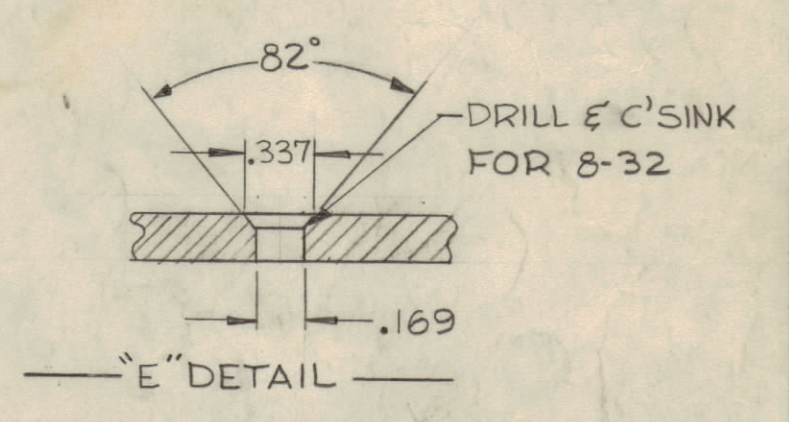
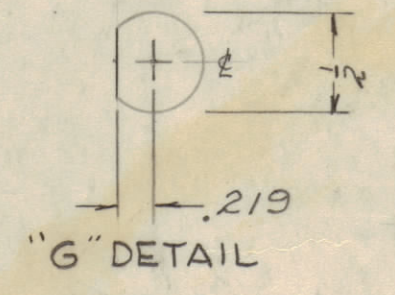


IF IT IS FOUND DESIRABLE TO CHANGE ANY TOLERANCE OR OTHER DETAIL SPECIFIED ON THIS DRAWING NOTIFY THE PURCHASER PROMPTLY.
 MAXIMUM ALLOWABLE TOLERANCES HAVE BEEN DETERMINED AND DEVIATIONS WILL BE CAUSE FOR REJECTION. REMOVE ALL BURRS AND SHARP EDGES



HOLE LEGEND

A - $\frac{1}{8}$ (.125) DIA.	4 REQ.
B - .221-.224 DIA. FOR NT-129-332-4	4 REQ.
C - $\frac{13}{64}$ (.203) DIA.	8 REQ.
D - $\frac{15}{16}$ (.9375) DIA.	1 REQ.
E - SEE DETAIL	25 REQ.
G - SEE DETAIL	4 REQ.



OBSOLETE
 USE FOR SPARE PARTS ONLY
 SEE MS 3679 FOR NEW UNITS.

NOTICE TO PURCHASER

THE TECHNICAL MATERIEL CORPORATION claims proprietary right in the material disclosed hereon. This drawing is issued in confidence for engineering information only and may not be reproduced or used to manufacture anything shown herein without permission from THE TECHNICAL MATERIEL CORPORATION to the user. This drawing is loaned for mutual assistance and is subject to recall at any time.

Property of:
 THE TECHNICAL MATERIEL CORPORATION
 MAMARONECK, NEW YORK

REV	DESCRIPTION	DATE	CN. NO.	DRAFTS	CHECKER	ENG. APP.
1	1 (G) Hole Added	7/24/49	1	SRG	SRG	SRG
2	7/16 was 3/16	10/12/53	1	SRG	SRG	SRG
3	1/16 was 3/16	10/12/53	1	SRG	SRG	SRG

ISSUE ITEM CHANGED FROM DATE CN. NO. DRAFTS CHECKER ENG. APP.

TOLERANCES: DEC. DIM. \pm .001, FRAC. DIM. \pm .004, ANGULAR DIM. \pm .004

SCALE: DRILL, PUNCH, COMMERCIAL STOCK SIZES AND MANUFACTURERS TOLERANCES ARE NOT INCLUDED.

1	OBsolete NOTE ADDED	7-30-64	11978	SRG	SRG
---	---------------------	---------	-------	-----	-----

1	GPT-10K	AX-186	7/2/59
REQ PER UNIT	MODEL	PROJECT NO.	DATE
		ASSY. NO.	
		USED ON	

Ref: (2) LD-656

REQ. ITEM	PART NO.	DESCRIPTION	SYMBOL
1	.081 THICK STOCK SIZE	THE TECHNICAL MATERIEL CORP. MAMARONECK, NEW YORK	
	ALUMINUM	SAILED, LEFT SIDE	
	5052-H32	MAIN FRAME	
	TYPE & TEMPER	COGGIN	
	HEAT TREAT. SPEC.	H2 7/16	
	FINISH & SPEC. NO.	5404-1R/DITE	
		FINAL APPROVAL	M 5-1829

MS-1829 D