

MS-1802 B

A - 1/4 x 3/8 SLOTS

8 REQ'D

Note Finish

S404 IRIDITE

S114 ZINC CHROMATE PRIMER

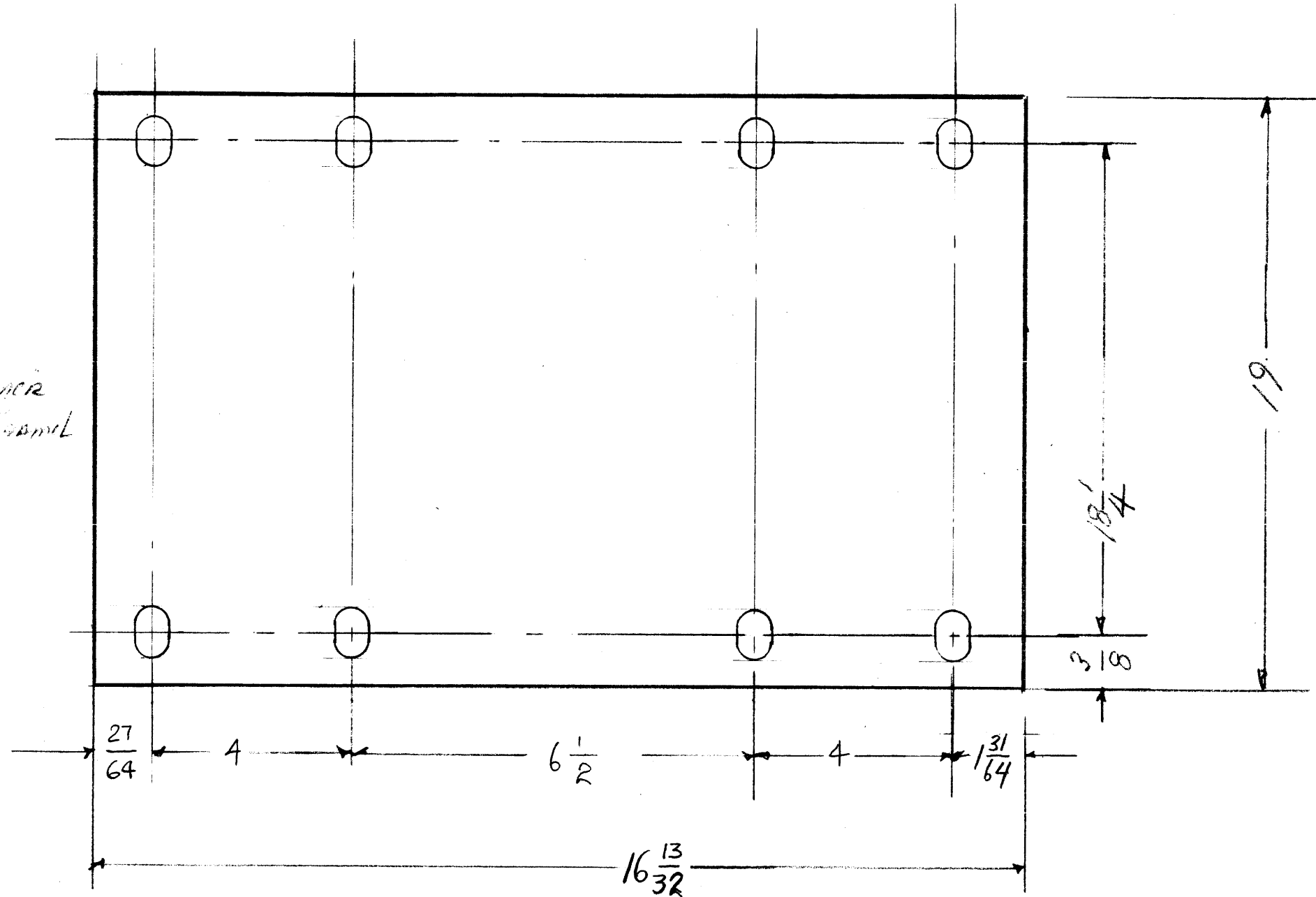
S115 TMC Smooth Grey Enamel

NOTICE TO PERSONS RECEIVING THIS DRAWING

THE TECHNICAL MATERIEL CORPORATION claims proprietary right in the material disclosed hereon. This drawing is issued in confidence for engineering information only and may not be reproduced or used to manufacture anything shown hereon without permission from THE TECHNICAL MATERIEL CORPORATION to the user. This drawing is loaned for mutual assistance and is subject to recall at any time.

Property of:

THE TECHNICAL MATERIEL CORPORATION
MAMARONECK, NEW YORK



ISSUE	ITEM	CHANGED FR M	DATE	CH. NO.	DRAFTS	CHECKER	ENG. APP.
B	1	16 13/32 WAS 17 5/32, 27/64 WAS 1/64	8.22.64	12194	WJB	@	
A	1	ADDED 1/4 x 3/8 SLOTS	7/31/59		P.L.		
TOLERANCES			SCALE:				
DEC. DIM. ±			MAXIMUM ALLOWABLE TOLERANCES HAVE BEEN DETERMINED AND ANY DEVIATIONS WILL BE CAUSE FOR REJECTION: REMOVE ALL BURRS AND HARP EDGES				
FRAC. DIM. ±							
ANGULAR DIM. ±							

1	RAK-7			
REQ. PER UNIT	MODEL	PROJECT NO.	ASSY. NO.	DATE
USED ON				

REQ.	ITEM	PART NO.	DESCRIPTION			SYMBOL
		1/8 THK	THE TECHNICAL MATERIEL CORP.			
		STOCK SIZE	MAMARONECK, NEW YORK			
		ALUMINUM	PANEL BLANK			
		MATERIAL				
		50525-H32				
		TYPE & TEMPER	DRAWN	CHECKED	FINAL APPROVAL	
		See Note			MS-1802	B
		FINISH & SPEC. NO.	ELEC. DE . APP	MECH. DES. APP		