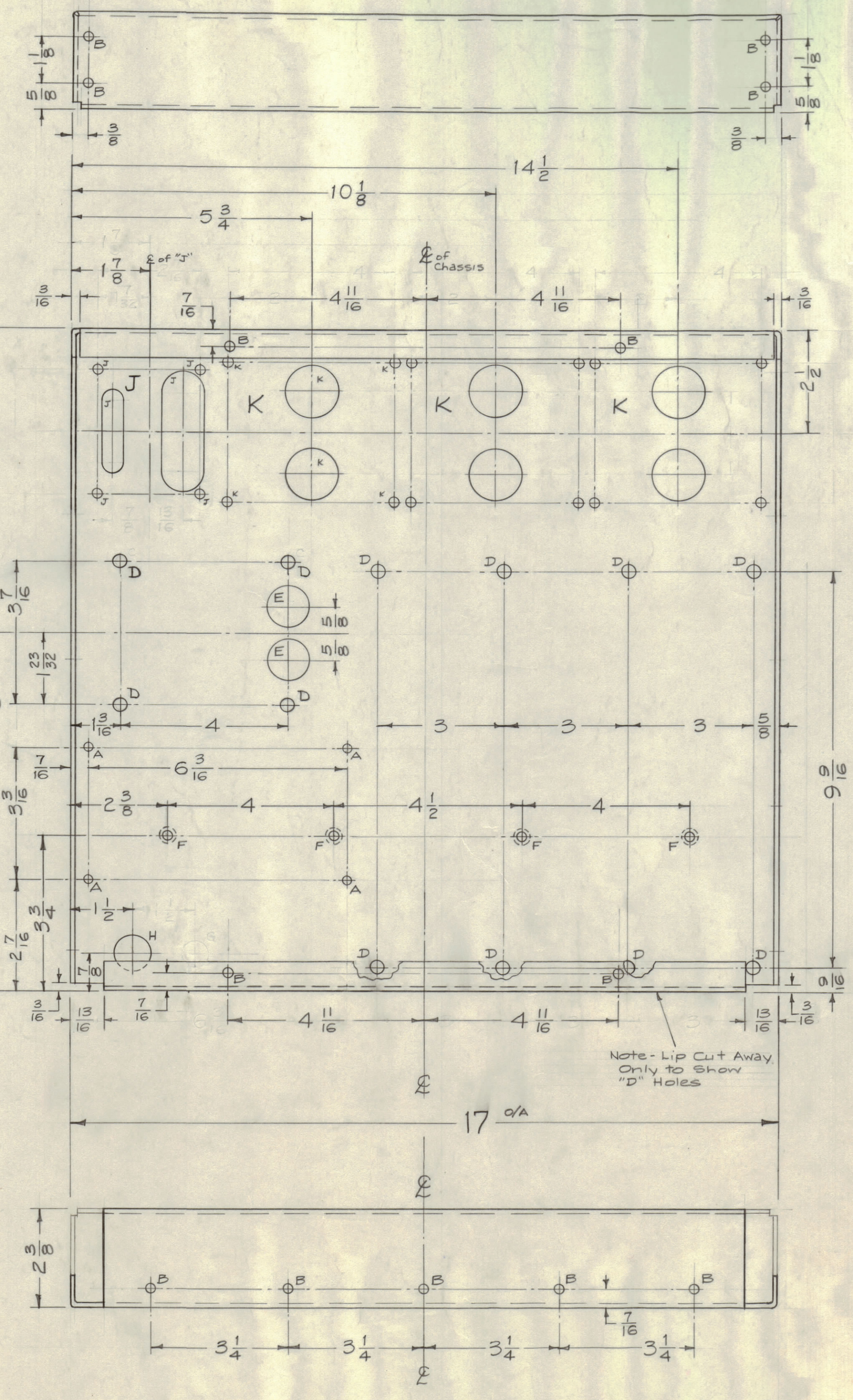
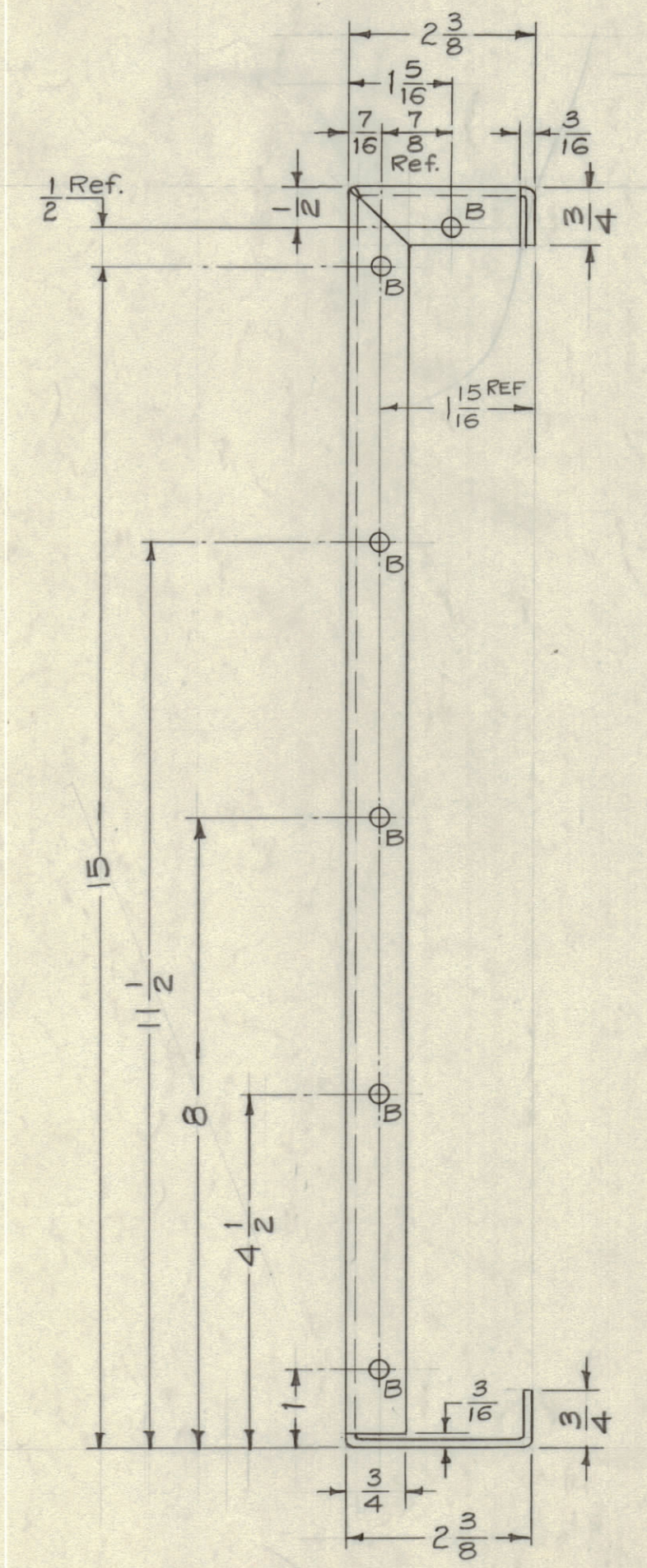
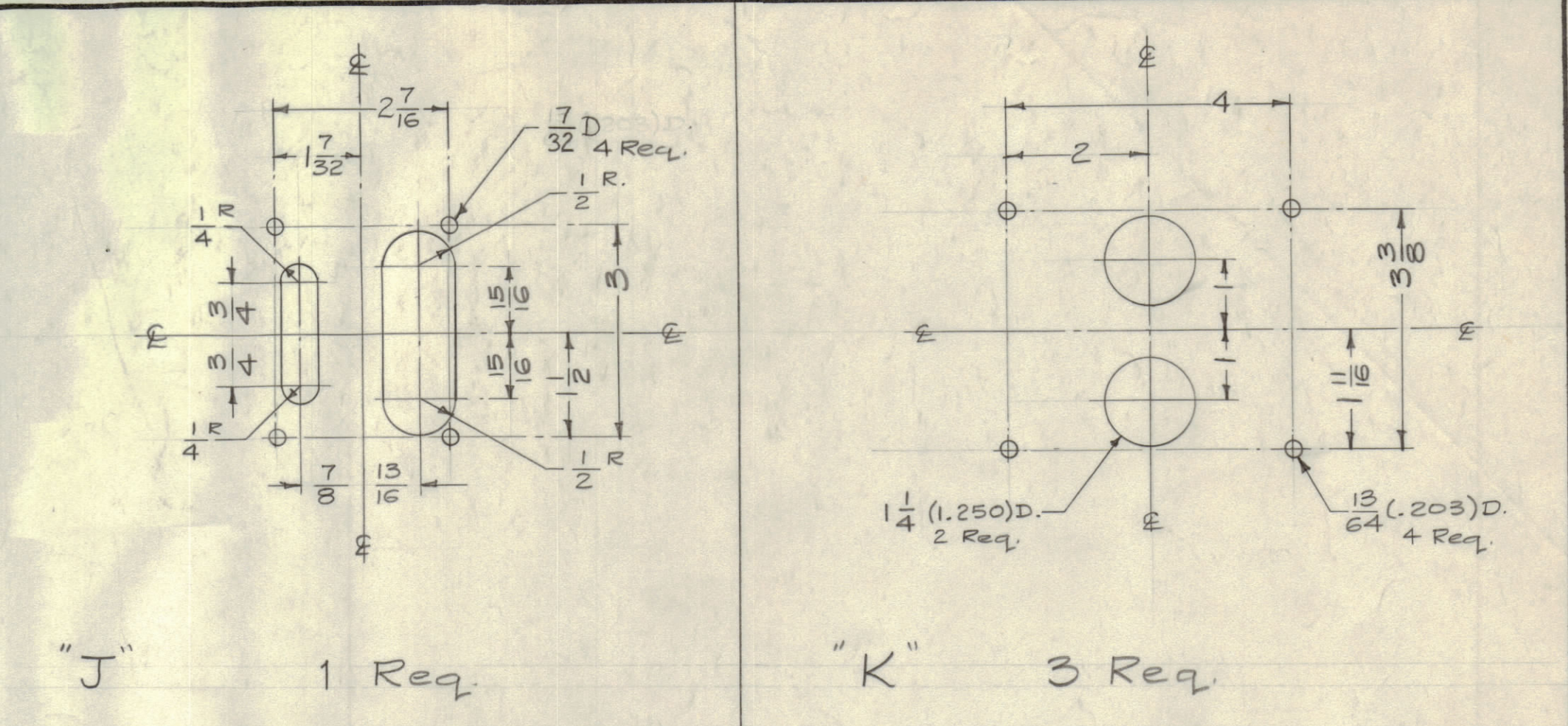
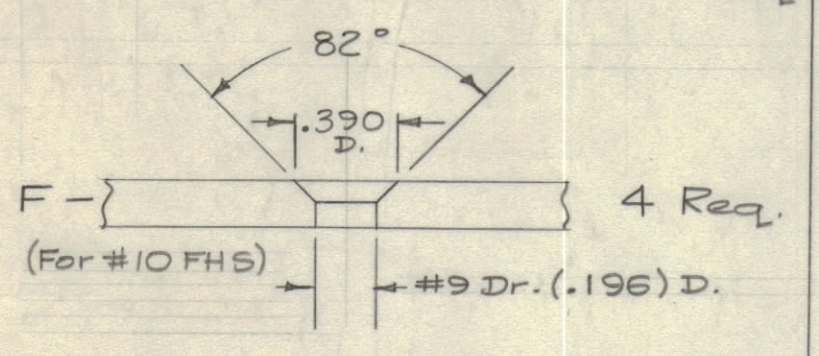
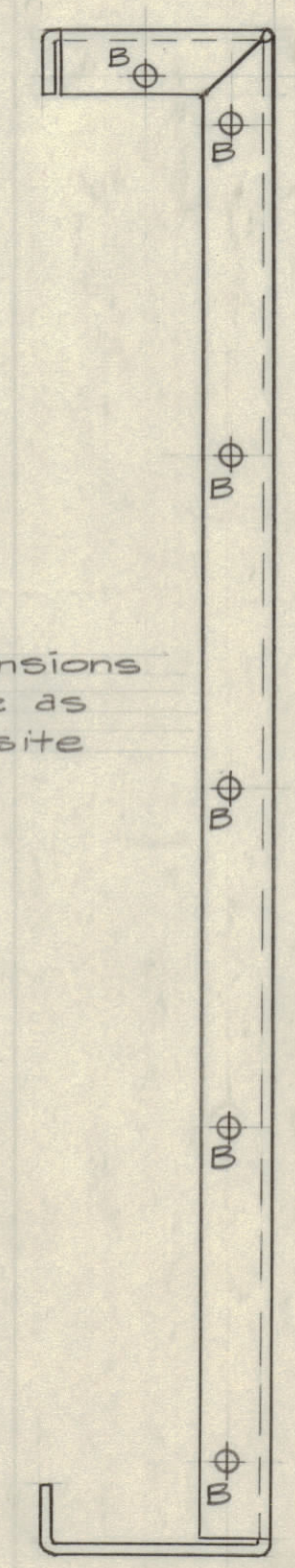


IF IT IS FOUND DESIRABLE TO CHANGE ANY TOLERANCE OR OTHER DETAIL SPECIFIED ON THIS DRAWING NOTIFY THE PURCHASER PROMPTLY.  
 MAXIMUM ALLOWABLE TOLERANCES HAVE BEEN DETERMINED AND DEVIATIONS WILL BE CAUSE FOR REJECTION. REMOVE ALL BURRS AND SHARP EDGES.

- A -  $\frac{11}{64}$  (.171) D. — 4 Req. G - NONE
- B -  $\frac{13}{64}$  (.203) D. — 25 Req. H -  $\frac{7}{8}$  (.875) D. — 1 Req.
- D -  $\frac{5}{16}$  (.312) D. — 12 Req.
- E - 1 (1.000) D. — 2 Req.



Dimensions Same as Opposite Side



Note - All Inside Bend Radii to be 1/8 R.

Note - Lip Cut Away Only to Show "D" Holes

NOTICE TO PERSONS RECEIVING THIS DRAWING

THE TECHNICAL MATERIEL CORPORATION claims proprietary right in the material disclosed herein. This drawing is issued in confidence for engineering information only and may not be reproduced or used to manufacture anything shown herein without permission from THE TECHNICAL MATERIEL CORPORATION. This drawing is loaned for mutual assistance and is subject to recall at any time.

Property of:  
 THE TECHNICAL MATERIEL CORPORATION  
 MAMARONECK, NEW YORK

Ref-TMC DWG. NO. ~ LD-607

REQ. ITEM	PART NO.	DESCRIPTION	SYMBOL
1	PS-5	FAL-1K	6-11-59
3	CHASSIS	5052-H32	16 9/11/59
MATERIAL		ALUMINUM	
STOCK SIZE		1/8 THK	
TYPE & TEMPER		5052-H32	
HEAT TREAT. SPEC.		5404-IRIDITE	
FINISH & SPEC. NO.			
THE TECHNICAL MATERIEL CORPORATION MAMARONECK, NEW YORK			

ISSUE	ITEM	CHANGED FROM	DATE	DN. NO.	DRAFTS	CHECKER	ENG. APP.
1		ON "J" DETAIL 7/22/59 WAS 13/64	7-22-59	A-330	JH	JCB	

SCALE: 1/2 Do Not Scale

TOLERANCES  
 DEC. DIM. ± .015  
 FRACTIONAL DIM. ± 1/64  
 ANGULAR DIM. ± .5°

DRILL, PUNCH, COMMERCIAL STOCK  
 SIZES AND MANUFACTURERS  
 TOLERANCES ARE NOT INCLUDED.

REQ. UNIT	MODEL	PROJECT NO.	ASS'Y. NO.	DATE	USED ON
1	PS-5	FAL-1K		6-11-59	

MS-1772 B