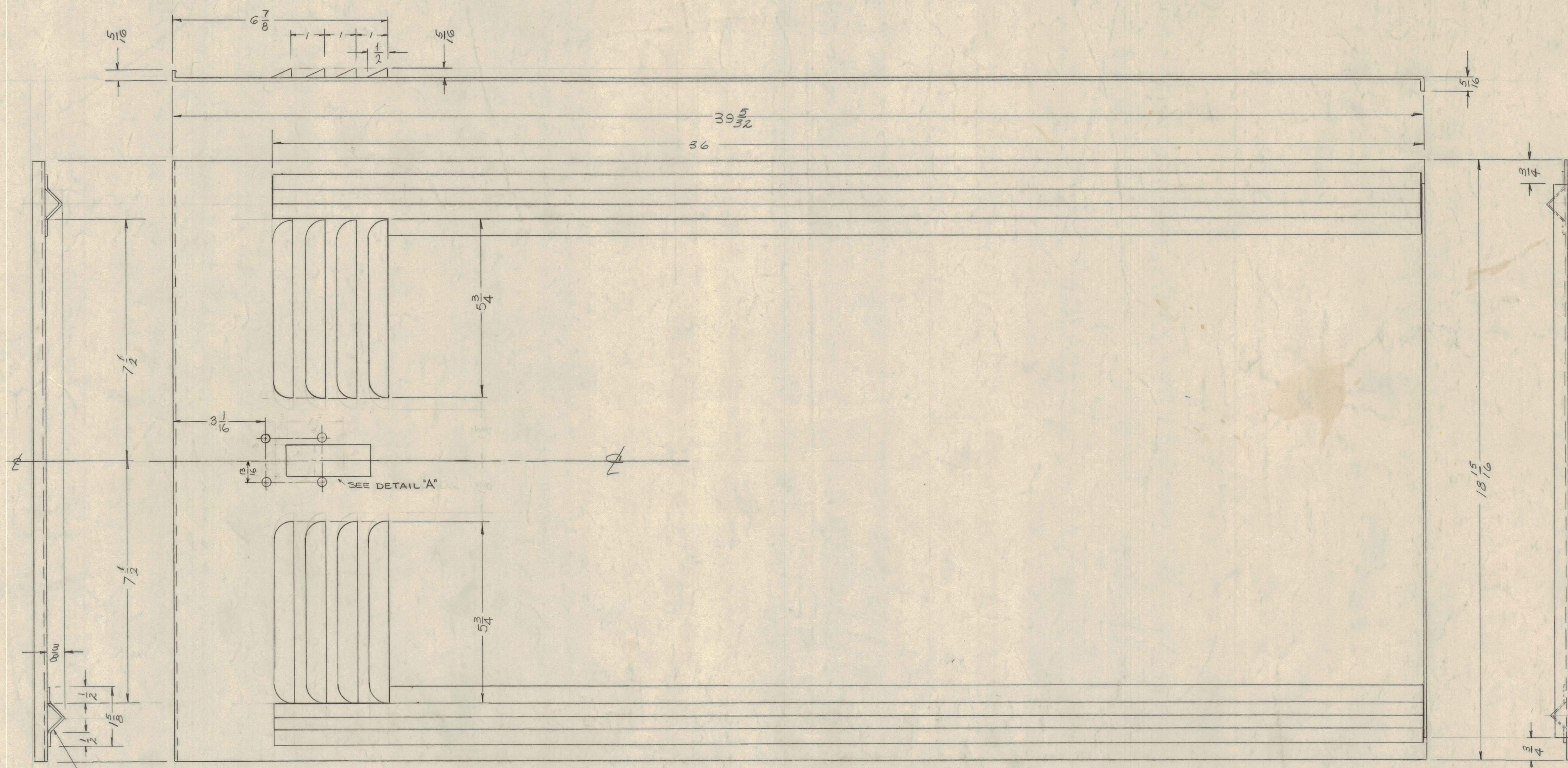
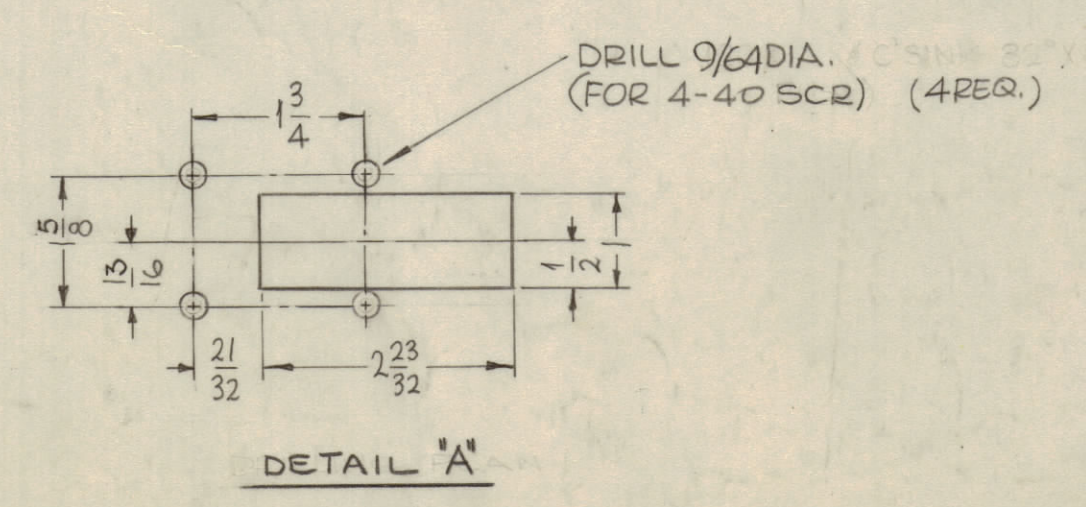


IF IT IS FOUND DESIRABLE TO CHANGE ANY TOLERANCE OR OTHER DETAIL SPECIFIED ON THIS DRAWING NOTIFY THE PURCHASER PROMPTLY.  
 MAXIMUM ALLOWABLE TOLERANCES HAVE BEEN DETERMINED AND DEVIATIONS WILL BE CAUSE FOR REJECTION. REMOVE ALL BURRS AND SHARP EDGES



(2) REINFORCING # 21 GA. STEEL



NOTICE TO PERSONS RECEIVING THIS DRAWING

THE TECHNICAL MATERIEL CORPORATION claims proprietary right in the material disclosed herein. This drawing is loaned in confidence for engineering information only and may not be reproduced or used to manufacture anything shown herein without permission from THE TECHNICAL MATERIEL CORPORATION to the user. This drawing is loaned for mutual assistance and is subject to recall at any time.

Property of  
 THE TECHNICAL MATERIEL CORPORATION  
 MAMARONECK, NEW YORK

D	S101 & S114 DELETED S520 WAS S220	7-20-67	18421	UHD			
C	2 1/16 WAS 2 15/16 2 3/32 WAS 2 1/16 5/64 HOLE WAS 1/2 DIA (ALL ON DETAIL 'A')	4-12-66	16070	UHW			
B	2 ON DETAIL 'A' WAS 7/16 DETAIL 'A' WAS DRILLING PLAN	11-11-64	12900	HRB			
A	12 HOLES WERE 1/8 DIA. 5/32 DIA 8 HOLES DELETED 2 7/16 DIA 8 DRILLING PLAN HOLES DELETED (7/8 DIA 6 PLACES) DIM. 5 3/4 WAS 6 (2 PLACES) DIM. 7 1/2 WAS 7 3/8, 6 7/8 WAS 6 3/4	7-28-64	11951	SRG			
ISSUE	ITEM	CHANGED FROM	DATE	CN. NO.	DRAFTS	CHECKER	ENG. APP.
TOLERANCES		SCALE:					
ALL	DEC. DIM. ±	DRILL PUNCH COMMERCIAL STOCK					
OTHERS	FRAC. DIM. ±	SIZES AND MANUFACTURERS					
	ANGULAR DIM. ±	TOLERANCES ARE NOT INCLUDED.					

1	CONSOLE				
REQ PER UNIT	MODEL	PROJECT NO.	ASSY. NO.	DATE	USED ON

REQ. ITEM	PART NO.	DESCRIPTION	SYMBOL
	16 GA.	THE TECHNICAL MATERIEL CORP.	
	STEEL	MAMARONECK, NEW YORK	
	MILD	COVER, REAR	
	TYPE & TEMPER		
	HEAT TREAT. SPEC.		
	SS20 BLU/GRY TEX VINYL		
	FINISH & SPEC. NO.		

MS-1746 D