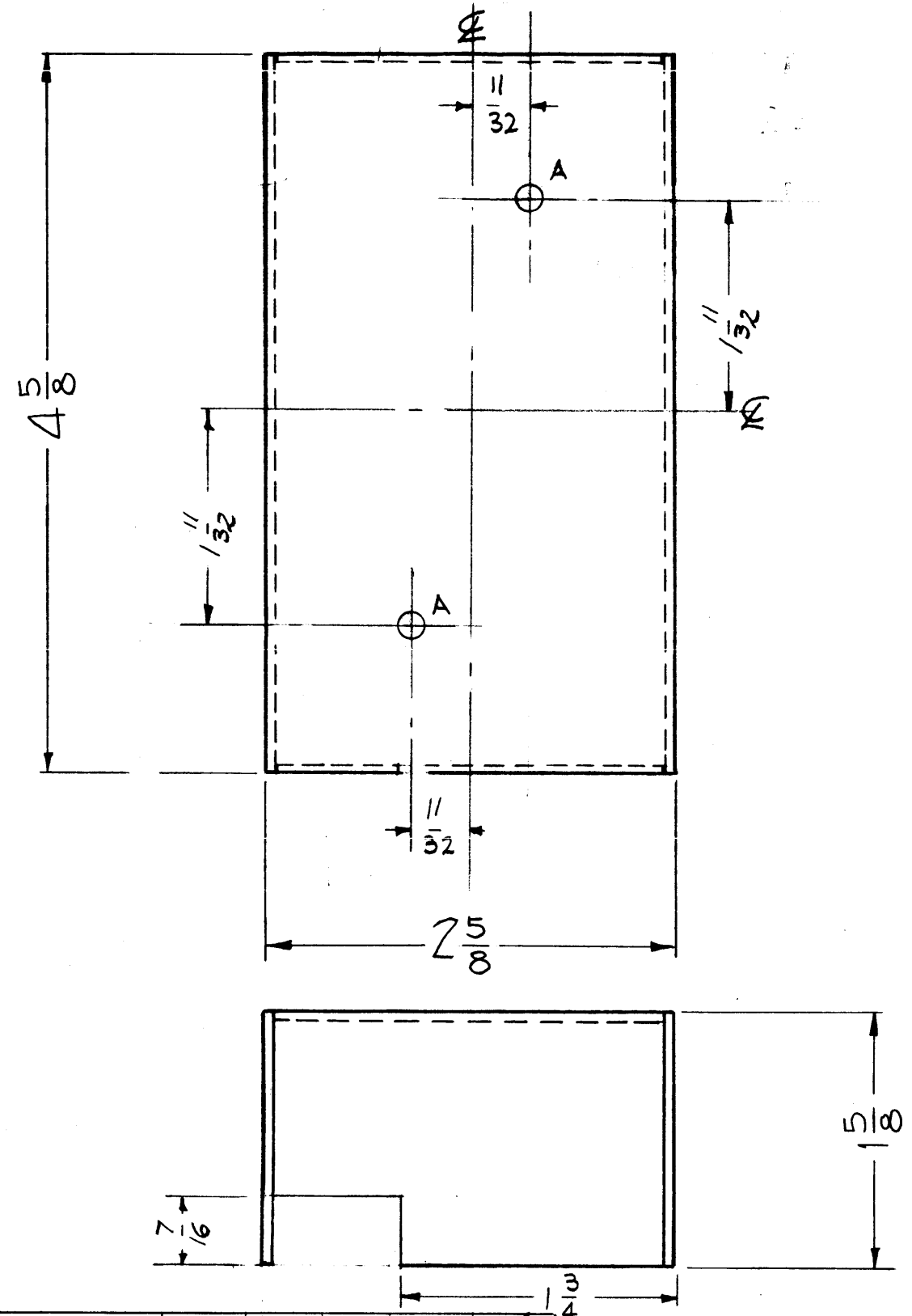


MS-1644 D



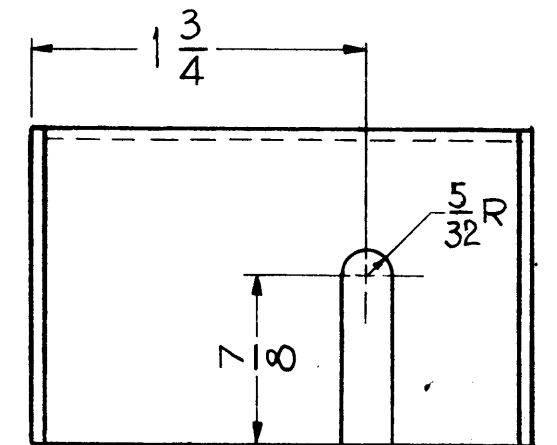
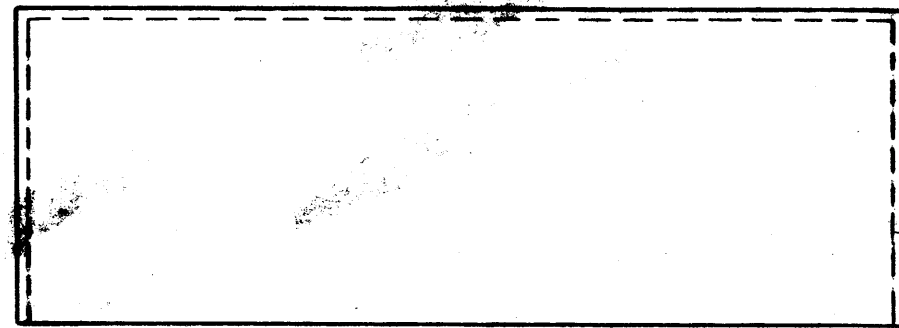
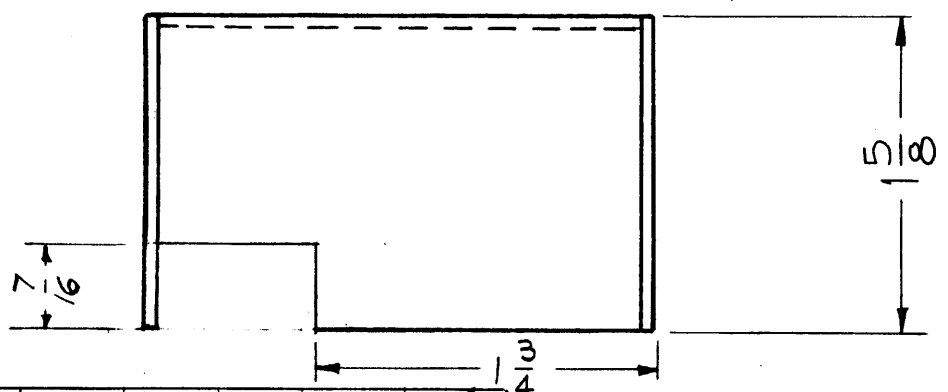
A ~ 5/32 (.156) DIA.

2 Req.

NOTICE TO PERSONS RECEIVING THIS DRAWING

THE TECHNICAL MATERIEL CORPORATION claims proprietary right in the material disclosed hereon. This drawing is issued in confidence for engineering information only and may not be reproduced or used to manufacture anything shown hereon without permission from THE TECHNICAL MATERIEL CORPORATION to the user. This drawing is loaned for mutual assistance and is subject to recall at any time.

Property of:
THE TECHNICAL MATERIEL CORPORATION
MAMARONECK, NEW YORK



ISSUE	ITEM	CHANGED FROM	DATE	CH. NO.	DRAFTS	CHECKER	ENG. APP.
D	1	5/32 R. DIM WAS 1/8	7-14-61	5244	GDL	M.A.F.	[Signature]
C	1	LIP DETAIL CLARIFICATION	9-9-60	2930	cus	[Signature]	[Signature]
B	2	CUTOUT ADDED	4/3/59		[Signature]	[Signature]	[Signature]
A	1	slot added	3/19/59		J.C.B	[Signature]	[Signature]

TOLERANCES		SCALE:
DEC. DIM. ±	MAXIMUM ALLOWABLE TOLERANCES HAVE BEEN DETERMINED AND ANY DEVIATIONS WILL BE CAUSE FOR REJECTION.	
FRAC. DIM. ±	REMOVE ALL BURRS AND SHARP EDGES	
ANGULAR DIM. ±		

1	GPT 10K	AX-137		3 ~ 3 ~ 5
REQ. PER UNIT	MODEL	PROJECT N.	ASS'Y. NO.	DATE
USED ON				

Ref: 1LD-578

REQ. ITEM	PART NO.	DESCRIPTION	SYMBOL
	.064	THE TECHNICAL MATERIEL CORP.	
	STOCK SIZE	MAMARONECK, NEW YORK	
	ALUMINUM	COVER, MONITOR BOARD	
	MATERIAL		
5052-H32		J.C. BIELE	[Signature]
TYPE & TEMPER	HEAT TREAT. SPEC.	DRAWN	CHECKED
S-404 IRIDITE		[Signature]	[Signature]
FINISH & SPEC. NO.	ELEC. DES. APP.	MECH. DES. APP.	MS-1644 D