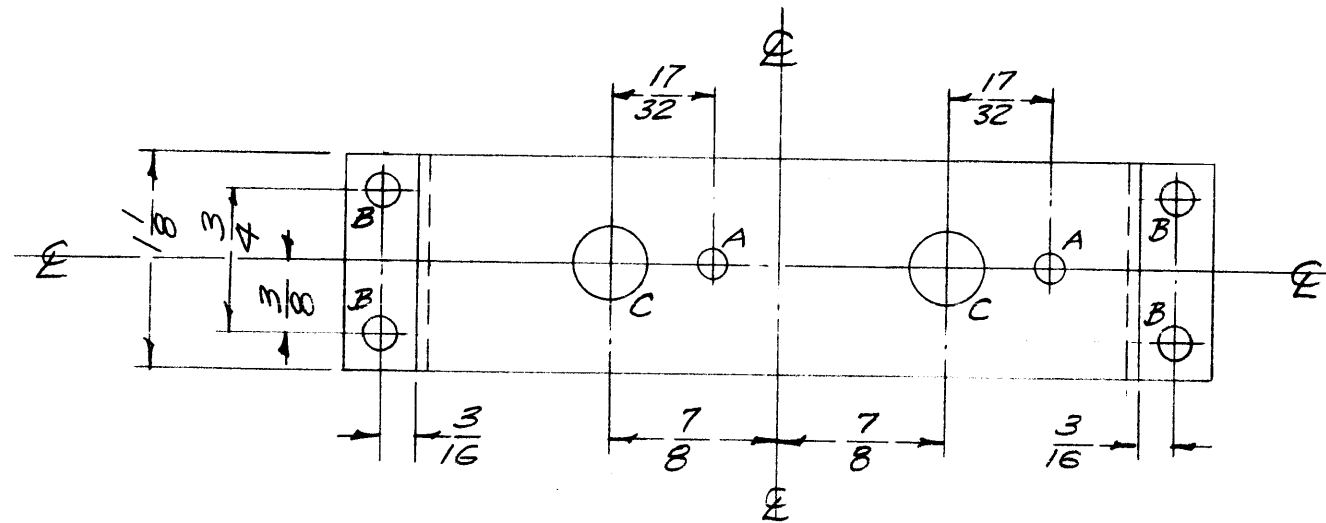
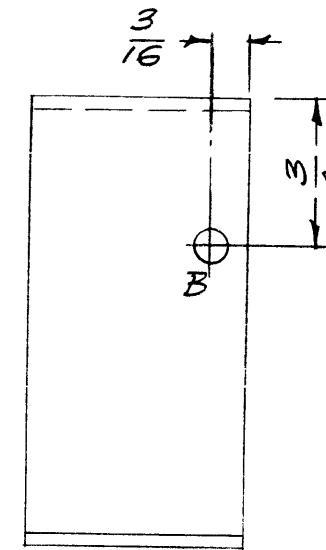
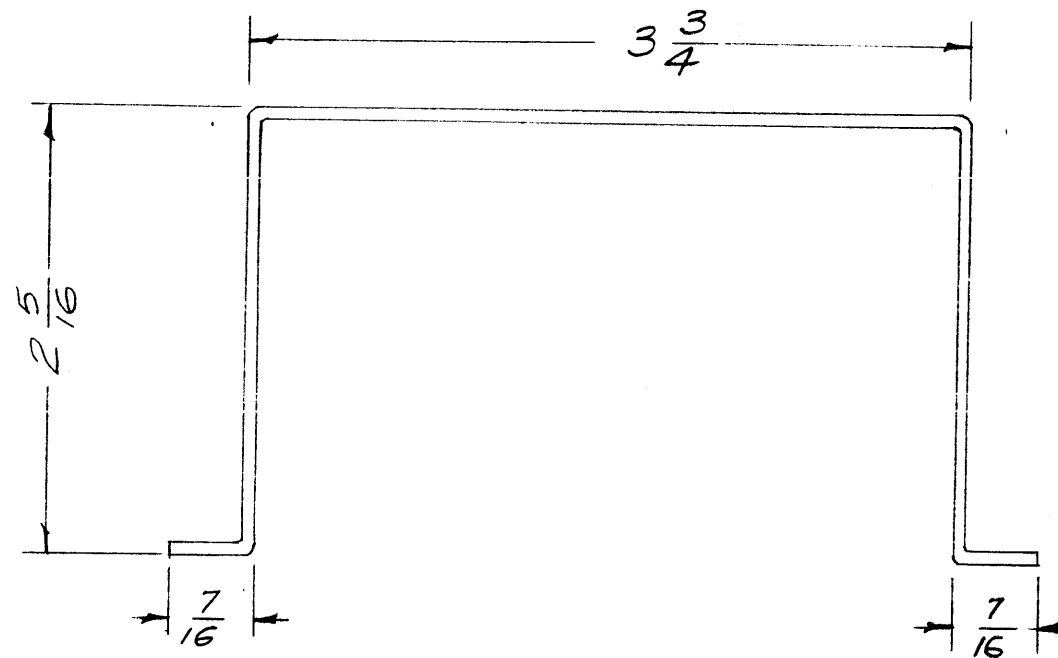
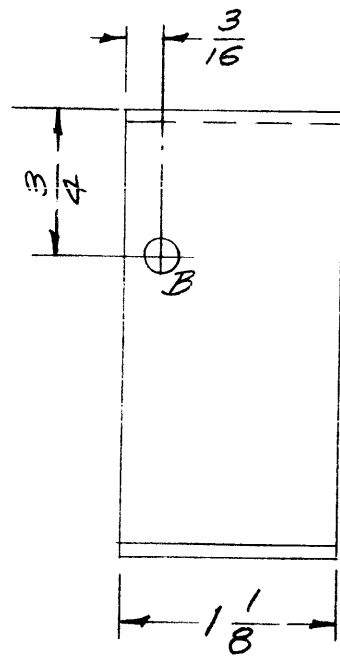


MS-1575



- A - $\frac{9}{64}$ (.140) D. 2 Req.
- B - $\frac{5}{32}$ (.156) D. 6 Req.
- C - $\frac{3}{8}$ (.375) D. 2 Req.



NOTICE TO PERSONS RECEIVING THIS DRAWING

THE TECHNICAL MATERIEL CORPORATION claims proprietary right in the material disclosed hereon. This drawing is issued in confidence for engineering information only and may not be reproduced or used to manufacture anything shown hereon without permission from THE TECHNICAL MATERIEL CORPORATION to the user. This drawing is loaned for mutual assistance and is subject to recall at any time.

Property of:
THE TECHNICAL MATERIEL CORPORATION
MAMARONECK, NEW YORK

Ref: 1LD-510

ISSUE	ITEM	CHANGED FROM	DATE	CH. NO.	DRAFTS	CHECKER	ENG. APP.
TOLERANCES							
DEC. DIM. \pm			SCALE: Full - Do Not Scale				
FRAC. DIM. \pm 1/64			MAXIMUM ALLOWABLE TOLERANCES HAVE BEEN DETERMINED AND ANY DEVIATIONS WILL BE CAUSE FOR REJECTION.				
ANGULAR DIM. \pm			REMOVE ALL BURRS AND SHARP EDGES				

1	SLM	SLM	P/OGPT-10K	2-17-59
REQ. PER UNIT	MODEL	PROJECT NO.	ASS'Y. NO.	DATE
USED ON				

REQ. ITEM	PART NO.	DESCRIPTION			SYMBOL
.064 THK		THE TECHNICAL MATERIEL CORP. MAMARONECK, NEW YORK			
STOCK SIZE		BRACKET, POTENTIOMETER (SIDE BAND LEVEL MONITOR)			
Aluminum					
MATERIAL					
5052-H32		16 ² /17/59	Jha	JB	MRB
TYPE & TEMPER	HEAT TREAT. SPEC.	DRAWN	CHECKED	FINAL APPROVAL	
5404 Iridite		Jha	Jha	MS-1575	
FINISH & SPEC. NO.		ELEC. DES. APP.	MECH. DES. APP.		