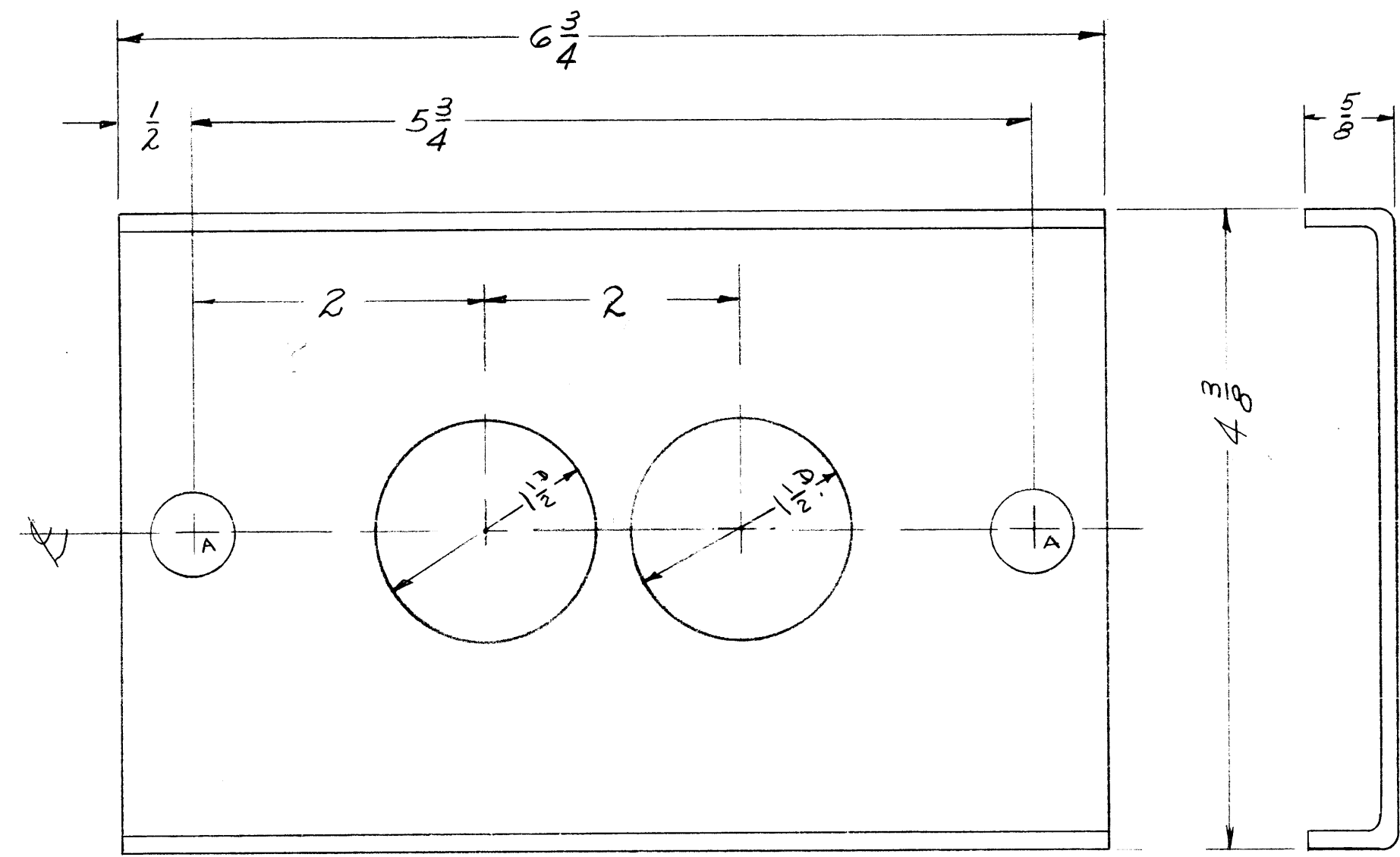


MS-1520

A-916(562)D17 2 REO



NOTICE TO PERSONS RECEIVING THIS DRAWING

THE TECHNICAL MATERIEL CORPORATION claims proprietary right in the material disclosed hereon. This drawing is issued in confidence for engineering information only and may not be reproduced or used to manufacture anything shown hereon without permission from THE TECHNICAL MATERIEL CORPORATION to the user. This drawing is loaned for mutual assistance and is subject to recall at any time.

Property of:
 THE TECHNICAL MATERIEL CORPORATION
 MAMARONECK, NEW YORK

Ref: 2LD-568

ISSUE	ITEM	CHANGED FROM	DATE	CH. NO.	DRAFTS	CHECKER	ENG. APP.
TOLERANCES			SCALE: <i>c/o</i>				
DEC. DIM. \pm			MAXIMUM ALLOWABLE TOLERANCES HAVE BEEN DETERMINED AND ANY DEVIATIONS WILL BE CAUSE FOR REJECTION. REMOVE ALL BURRS AND SHARP EDGES				
FRAC. DIM. \pm <i>1/64</i>							
ANGULAR DIM. \pm							

REQ. PER UNIT	MODEL	PROJECT NO.	ASS'Y. NO.	DATE
1	GDT-10KN	PS DECK	T1-105	2-7-59
USED ON				

REQ. ITEM	PART NO.	DESCRIPTION	SYMBOL
	<i>1/8 THICK</i>	THE TECHNICAL MATERIEL CORP. MAMARONECK, NEW YORK	BRACKET, CONDENSER
	STOCK SIZE		
	ALUMINUM		
MATERIAL			
5052 H32		2-7-59	<i>T1</i>
TYPE & TEMPER	HEAT TREAT. SPEC.	DRAWN	CHECKED
5404 IRRIDITE		<i>LB</i>	<i>QB</i>
FINISH & SPEC. NO.	ELEC. DES. APP.	MECH. DES. APP.	MS-1520