

UNLESS OTHERWISE SPECIFIED
DIMENSIONS ARE IN INCHES AND INCLUDE
CHEMICALLY APPLIED OR PLATED FINISHES

DECIMALS	FRACTIONS
.X ± .05	± 1/64
.XX ± .01	ANGLES
.XXX ± .005	± 0° 30'

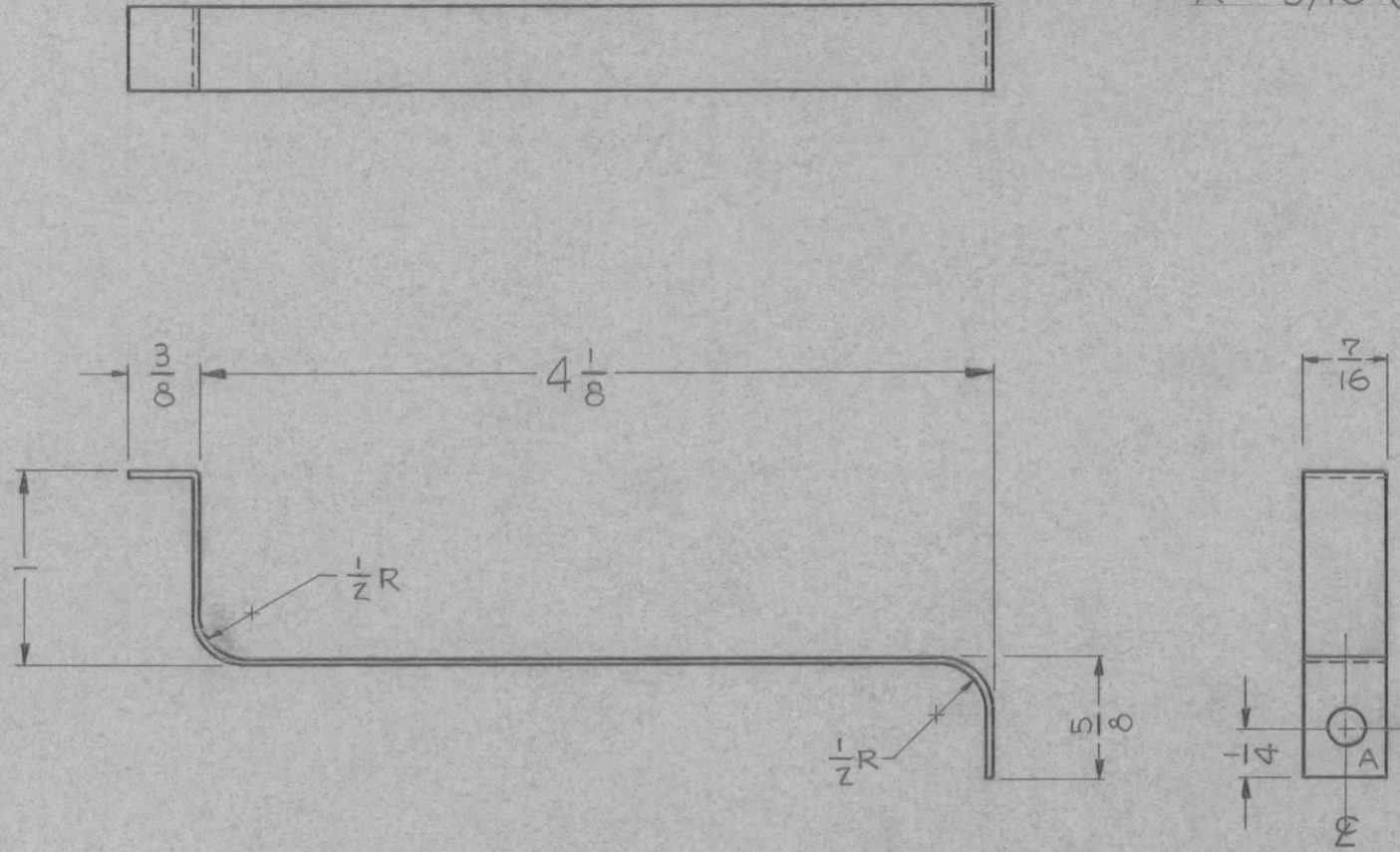
TOLERANCES

CUT HERE
GUARANTEED
2-66

REQ. PER UNIT	USED ON		
	MODEL	ASS'Y. NO.	DATE
1	G.P.T. 10,000	1 PA	1-2-59

MS-1461

A ~ 3/16 (.187) DIA. 1 REQ



REQ.	ITEM	PART NO.	DESCRIPTION		SYMBOL							
		.025	THE TECHNICAL MATERIEL CORP.									
		STOCK SIZE	MAMARONECK, NEW YORK									
		COMM. SOFT COPPER	STRAP, CONN. CAP.									
		MATERIAL										
ISSUE	ITEM	CHANGED FROM	DATE	CH. NO.	DRAFTS	CHECKER	ENG. APP.	J.C. BIELE				
TOLERANCES			SCALE:									
DEC. DIM. ±			MAXIMUM ALLOWABLE TOLERANCES HAVE BEEN DETERMINED AND ANY DEVIATIONS WILL BE CAUSE FOR REJECTION. REMOVE ALL BURRS AND SHARP EDGES			TYPE & TEMPER		HEATTREAT. SPEC.	DRAWN	CHECKED	FINAL APPROVAL	
FRAC. DIM. ±						SILVER PLATE						
ANGULAR DIM. ±						.0002		FINISH & SPEC. NO.		ELEC. DES. APP	MECH. DES. APP	MS-1461