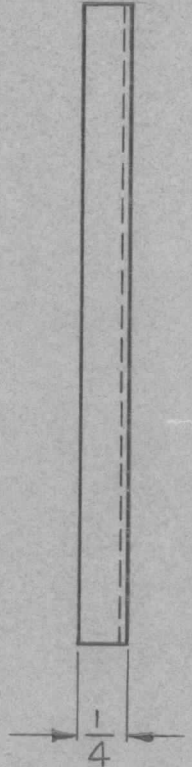
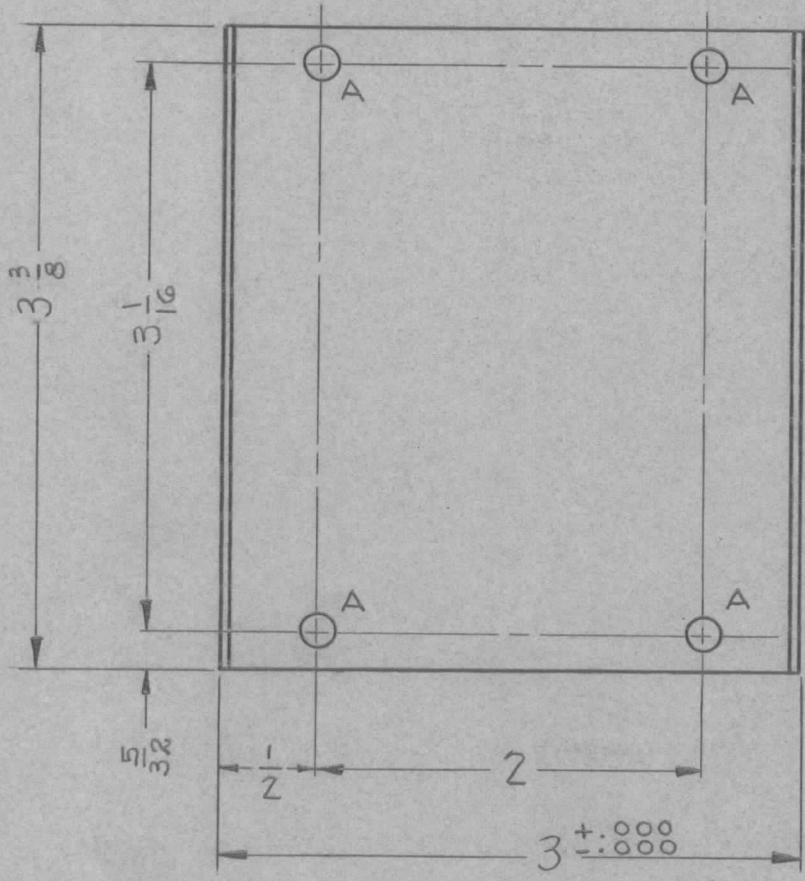


REQ. PER UNIT	USED ON			MS-1434	A
	MODEL	ASS'Y. NO.	DATE		
1	GPT-10,000	IPA	12-10-58		



A - 11/64 DIA.

4 REQ'D.

REQ.	ITEM	PART NO.	DESCRIPTION				SYMBOL
		.040	THE TECHNICAL MATERIEL CORP.				
		STOCK SIZE	MAMARONECK, NEW YORK				
A	1	ALUMINUM	COVER, BLOWER DUCT				
		MATERIAL					
ISSUE	ITEM	CHANGED FROM	DATE	CH. NO.	DRAFTS	CHECKER	ENG. APP.
		5404 Y-IRIDITE WAS S101 CAUSTIC DIP	12-8 59	1001	P		EMN
TOLERANCES			SCALE:				
DEC. DIM. $\pm$			MAXIMUM ALLOWABLE TOLERANCES HAVE BEEN DETERMINED AND ANY DEVIATIONS WILL BE CAUSE FOR REJECTION: REMOVE ALL BURRS AND SHARP EDGES				
FRAC. DIM. $\pm$ $\frac{1}{64}$							
ANGULAR DIM. $\pm$							
5052-H32		J.C. BIELE		FILE		ARP	
TYPE & TEMPER		HEAT TREAT. SPEC.		DRAWN		CHECKED	
5404-YEL IRIDITE				912		FINAL APPROVAL	
FINISH & SPEC. NO.		ELEC. DES. APP		MECH. DES. APP		MS-1434 A	