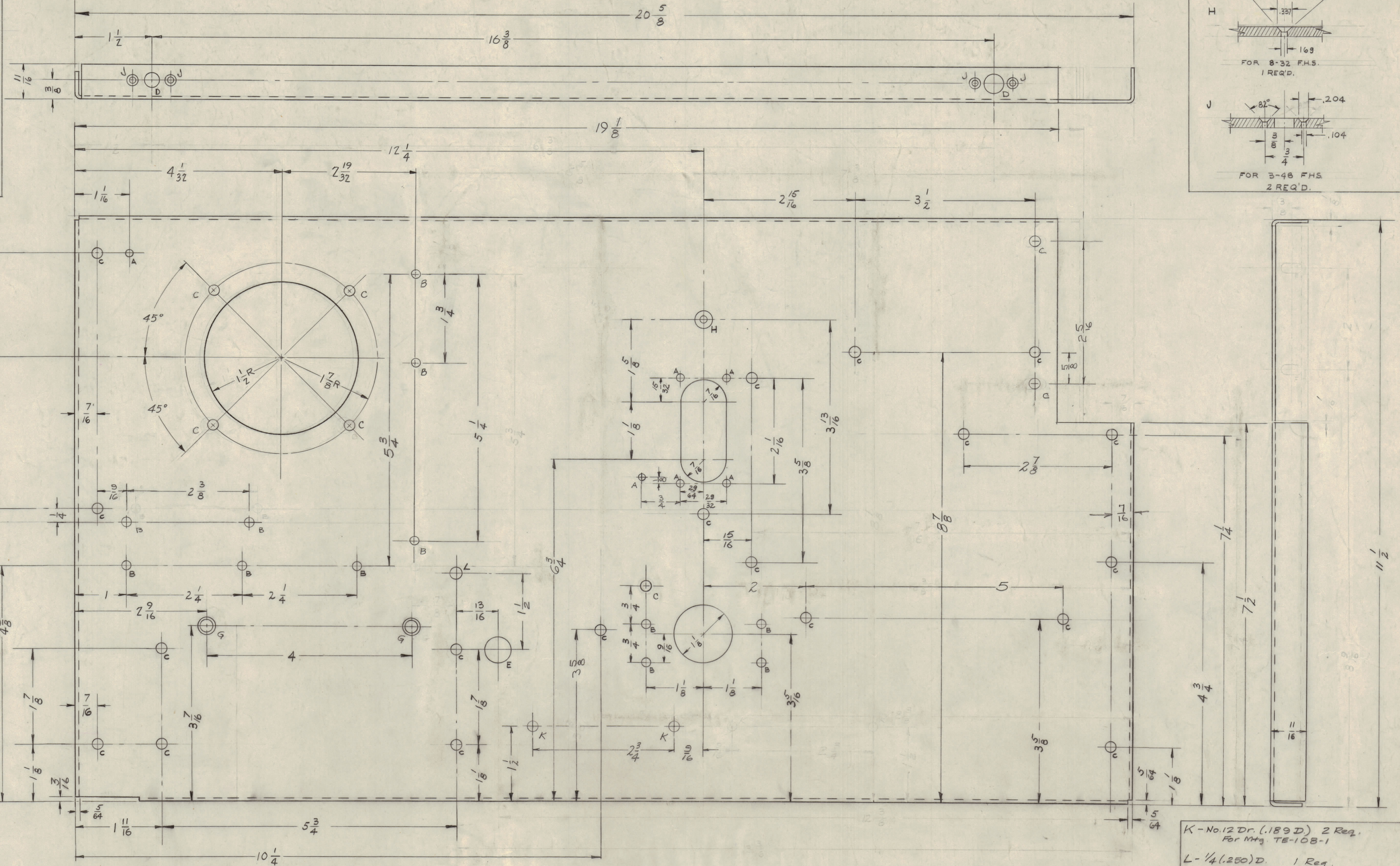
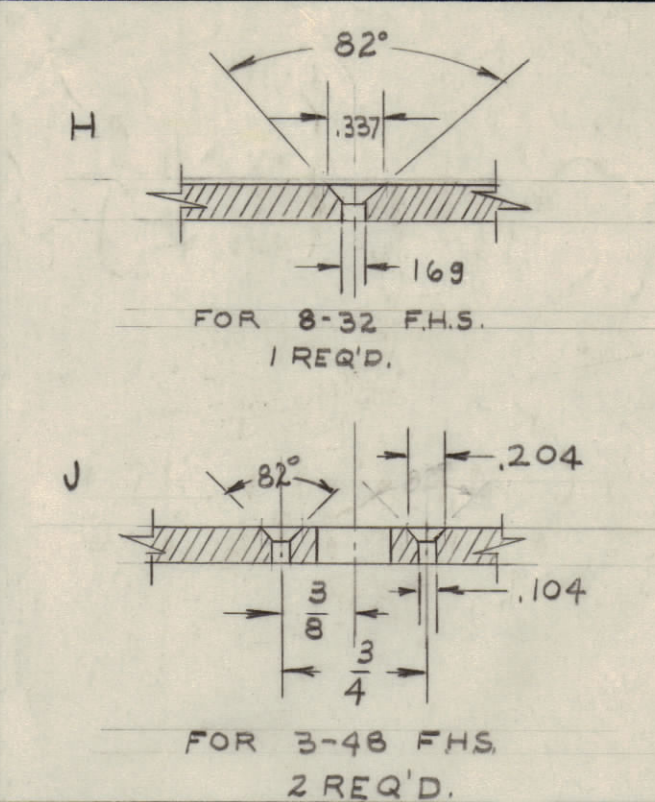
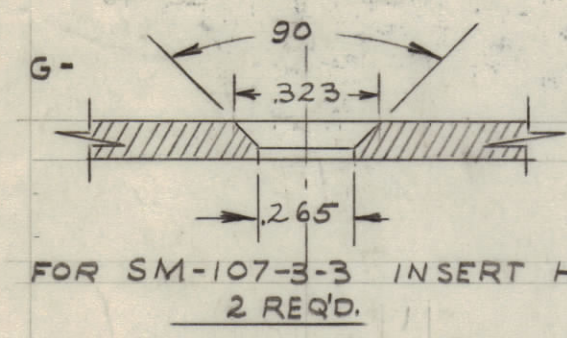
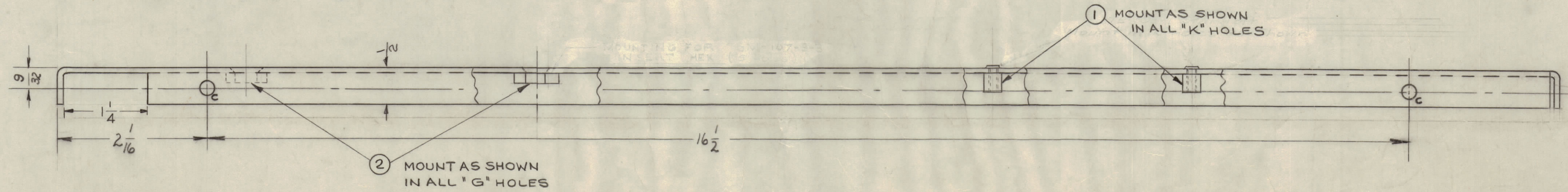


IF IT IS FOUND DESIRABLE TO CHANGE ANY TOLERANCE OR OTHER DETAIL SPECIFIED ON THIS DRAWING NOTIFY THE PURCHASER PROMPTLY.  
 MAXIMUM ALLOWABLE TOLERANCES HAVE BEEN DETERMINED AND DEVIATIONS WILL BE CAUSE FOR REJECTION. REMOVE ALL BURRS AND SHARP EDGES

REQ'D	DESCRIPTION	QUANTITY
5	A - $\frac{5}{16}$ (.140) D HOLES	5
12	B - $\frac{1}{16}$ (.171) D "	12
28	C - $\frac{3}{32}$ (.203) D "	28
2	D - $\frac{1}{8}$ (.375) D "	2
1	E - $\frac{1}{2}$ (.500) D "	1



ISSUE	ITEM	CHANGED FROM	DATE	CN. NO.	DRAFTS	CHECKER	ENG. APP.
E	2	CALLOUT OF $\phi$ WITH NOTES ADD. IT. 1 & IT. 2 ADD., REF. LD496A	1/21/65	13329	AB	EMN	
D	1	5-404 YEL. IRIDITE WAS 4101 5-101 CAUSTIC DIP	1/10/59	1002	AB	EMN	
C	3	1/4 notch added	2/3/59	748	J.C.B.		
	2	2 19/32 dim. was 2 1/16					
	1	4 1/32 dim. was 3 1/16					
B		Added one 'A' hole Added two 'C' holes Deleted 2 'E' slots LIP Deleted Relocated 2 'H' holes Relocated 2 'K' holes	1/6/59	608	etc		
A	2	TWO 'K' HOLES ADDED	1/24/58	1	16		
	1	ONE 'L' HOLE ADDED					



K - No. 12 Dr. (.189 D.) 2 Req.  
 For Mtg. TE-108-1  
 L - 1/4 (.250) D. 1 Req.

REQ. ITEM	PART NO.	DESCRIPTION	SYMBOL
2	SM-107-3-3	INSERT, HEX	G
2	TE-108-1	STANDOFF	K

.064 THICK  
 STOCK SIZE  
 ALUMINUM  
 MATERIAL WEIGHT PER FC.  
 5052-H32  
 TYPE & TEMPER  
 HEAT TREAT. SPEC.  
 5-404-YEL. IRIDITE  
 FINISH & SPEC. NO.

THE TECHNICAL MATERIEL CORP.  
 MAMARONECK, NEW YORK  
 LEFT SIDE PLATE

SCALE: FULL SIZE Do Not Scale  
 DRILL, PUNCH, COMMERCIAL STOCK SIZES AND MANUFACTURERS TOLERANCES ARE NOT INCLUDED.

REF: LD496  
 11-3-58  
 USED ON

MS-1408 E

MS-1408 E