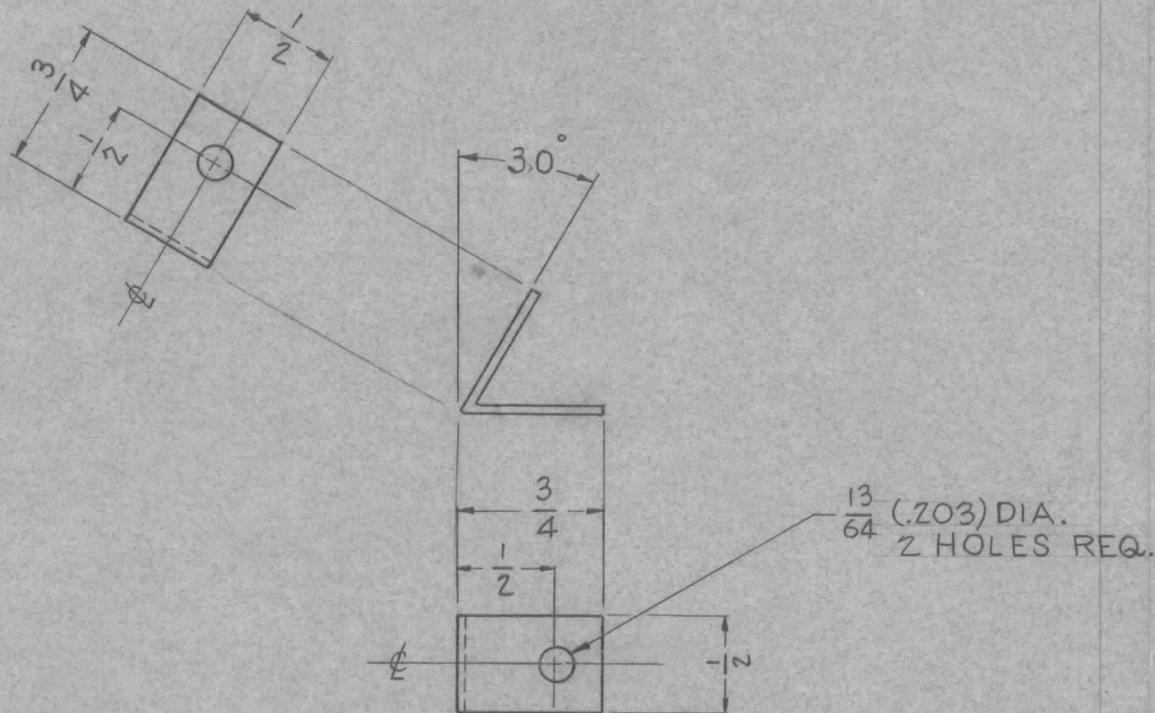


REQ. PER UNIT	USED ON			MS-1396	B
	MODEL	ASS'Y. NO.	DATE		
1	RTF-2	P/O POWER AMP	10-31-58		



ISSUE	ITEM	CHANGED FROM	DATE	CH. NO.	DRAFTS	CHECKER	ENG. APP.	REQ.	ITEM	PART NO.	DESCRIPTION	SYMBOL
										.064	THE TECHNICAL MATERIEL CORP. MAMARONECK, NEW YORK	BRACKET, ANGLE
										ALUMINUM		
										MATERIAL		
										5052-H32	JOHN C. BIELE	
										TYPE & TEMPER	CHECKED	FINAL APPROVAL
										HEAT TREAT. SPEC.		
										5404-YEL-IRIDITE	REF	MS-1396
										FINISH & SPEC. NO.	ELEC. DES. APP	B
											MECH. DES. APP	