

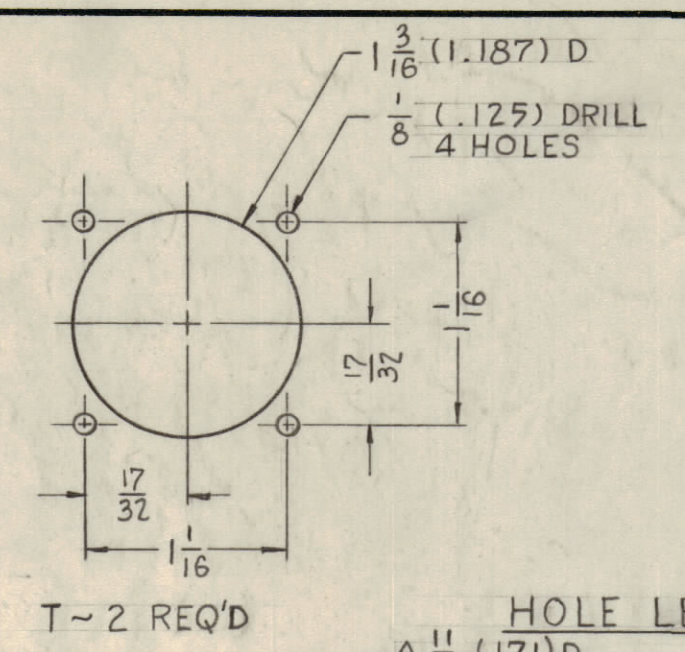
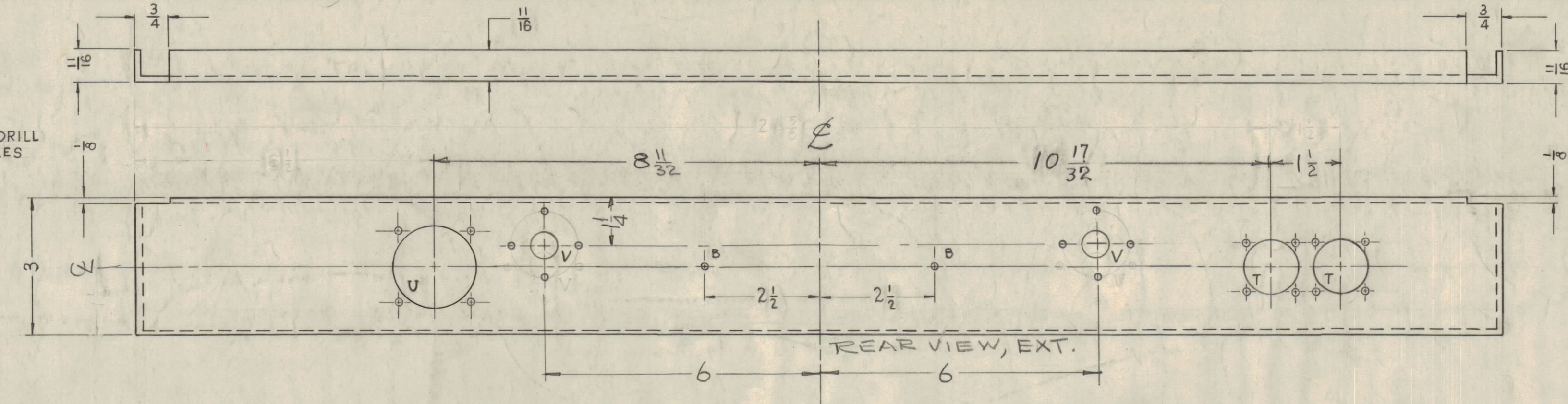
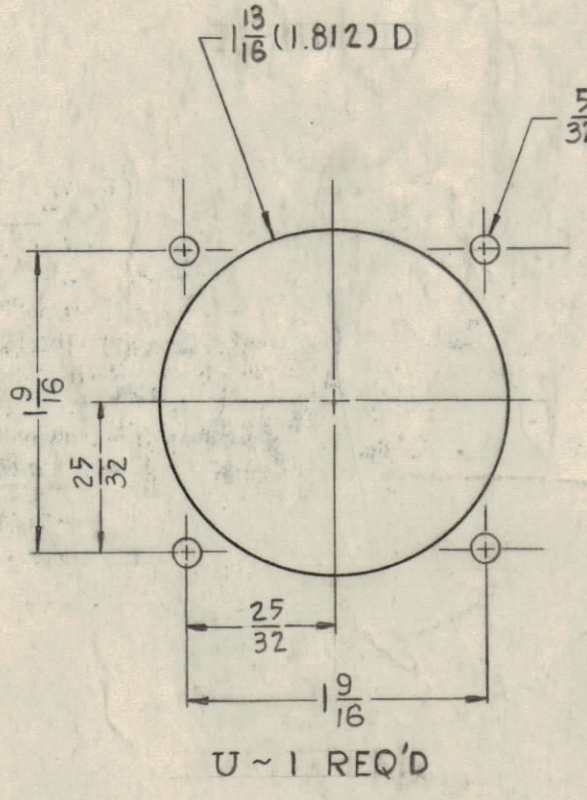
IF IT IS FOUND DESIRABLE TO CHANGE ANY TOLERANCE OR OTHER DETAIL SPECIFIED ON THIS DRAWING NOTIFY THE PURCHASER PROMPTLY.
 MAXIMUM ALLOWABLE TOLERANCES HAVE BEEN DETERMINED AND DEVIATIONS WILL BE CAUSE FOR REJECTION.
 REMOVE ALL BURRS AND SHARP EDGES

NOTICE TO PERSONS RECEIVING THIS DRAWING

THE TECHNICAL MATERIEL CORPORATION claims proprietary right in the material disclosed herein. This drawing is issued in confidence for engineering information only and may not be reproduced or used to manufacture anything shown hereon without permission from THE TECHNICAL MATERIEL CORPORATION to the user. This drawing is loaned for mutual assistance and is subject to recall at any time.

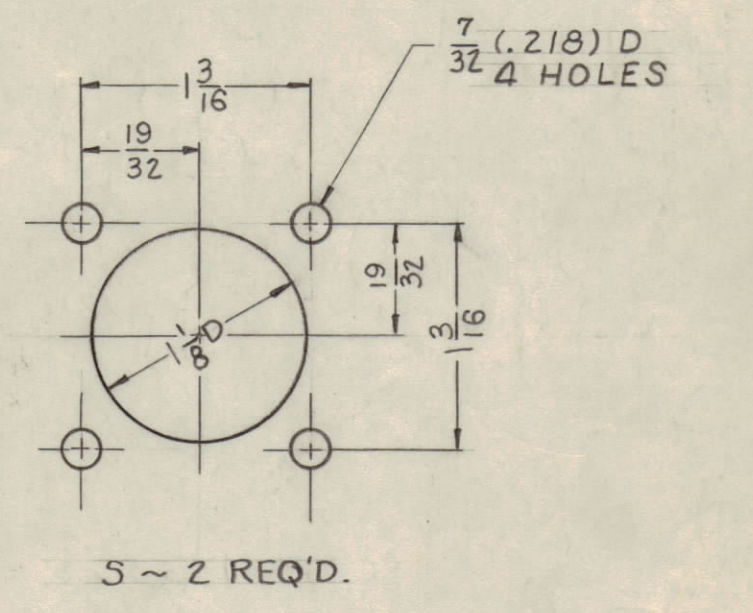
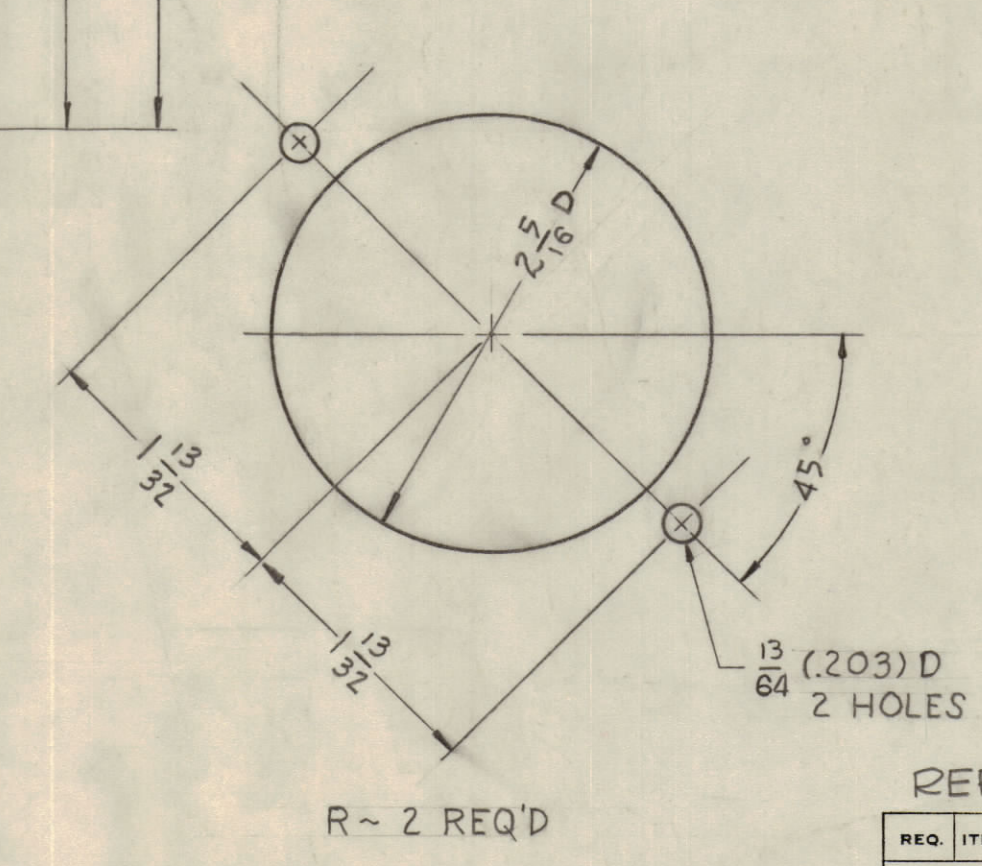
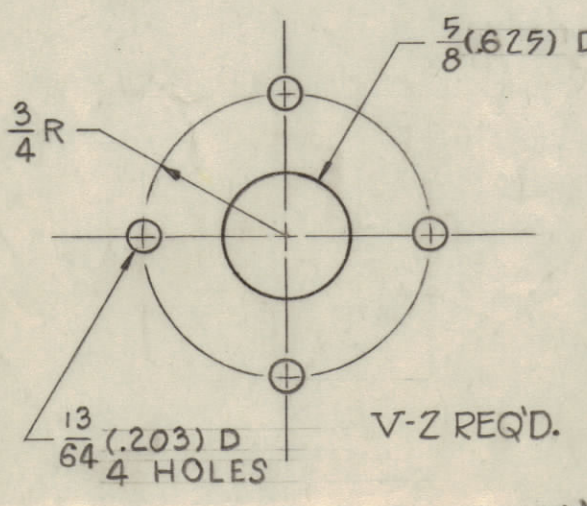
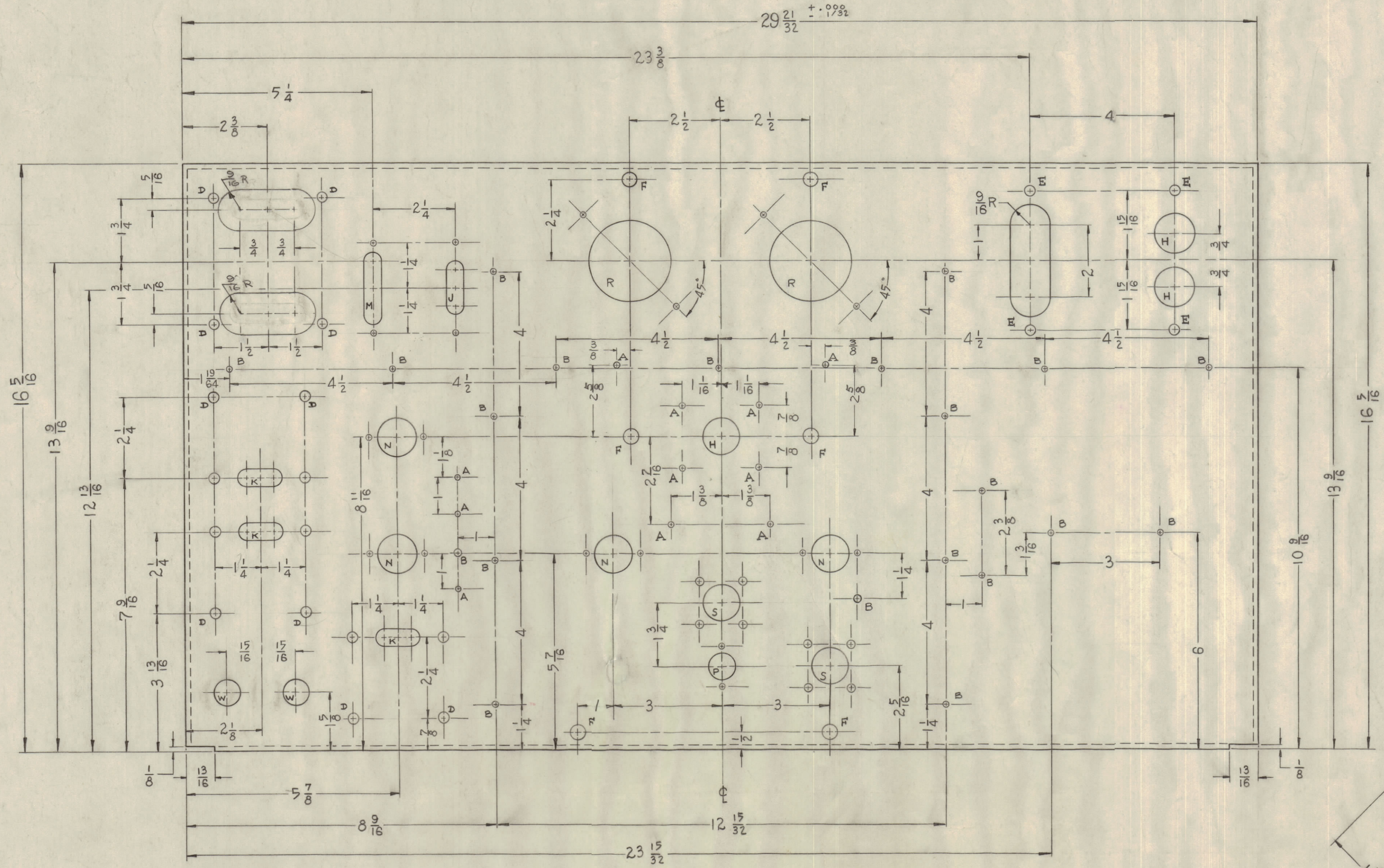
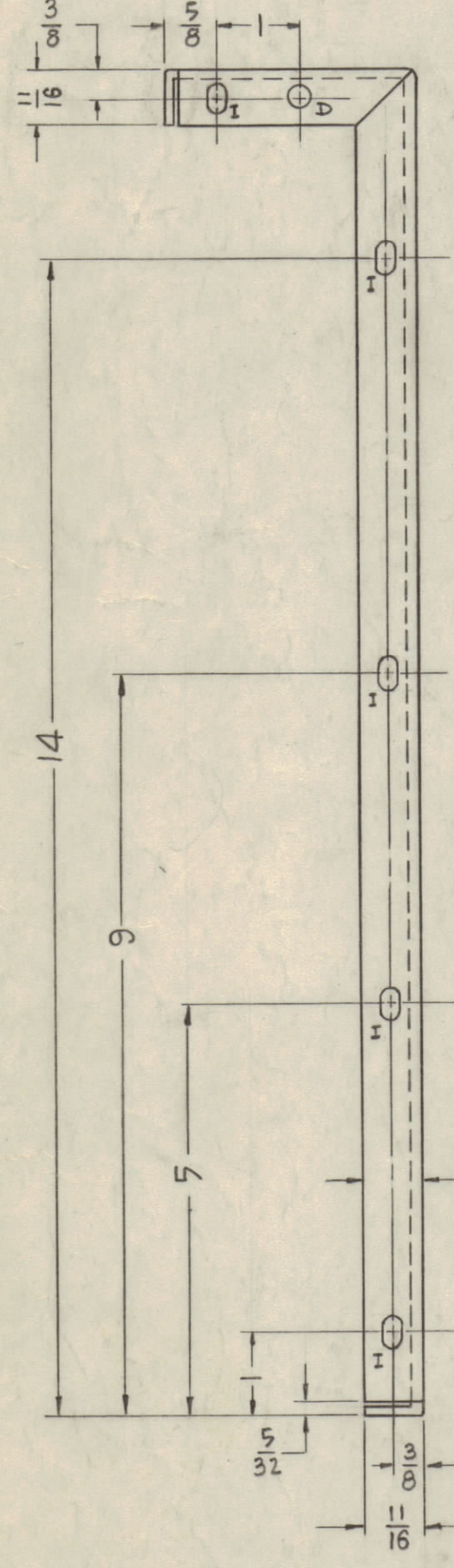
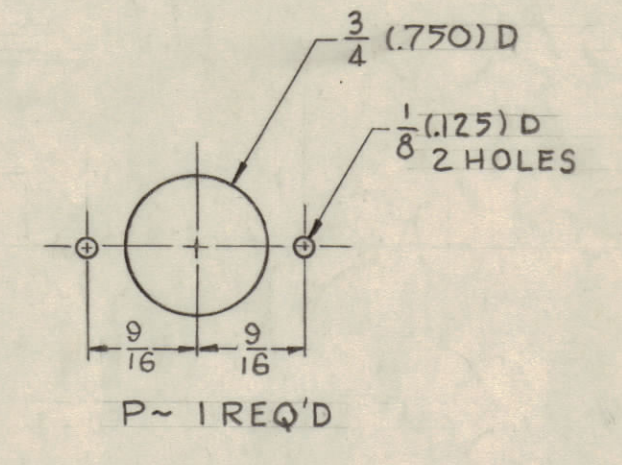
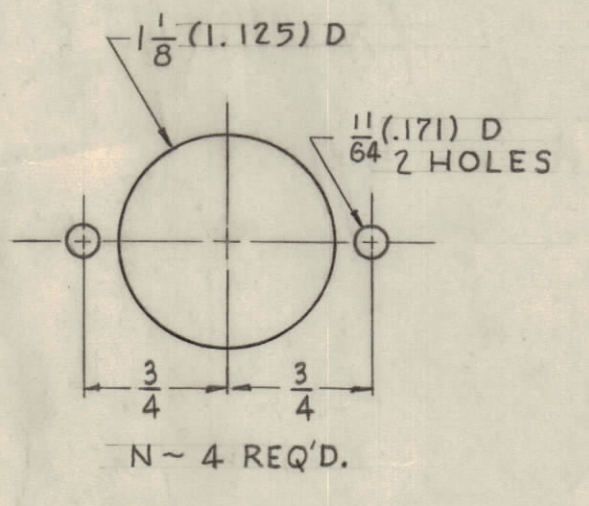
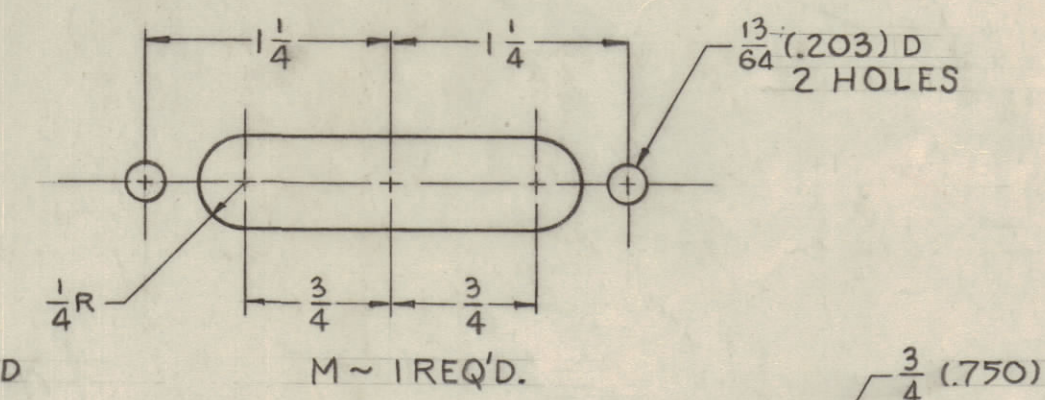
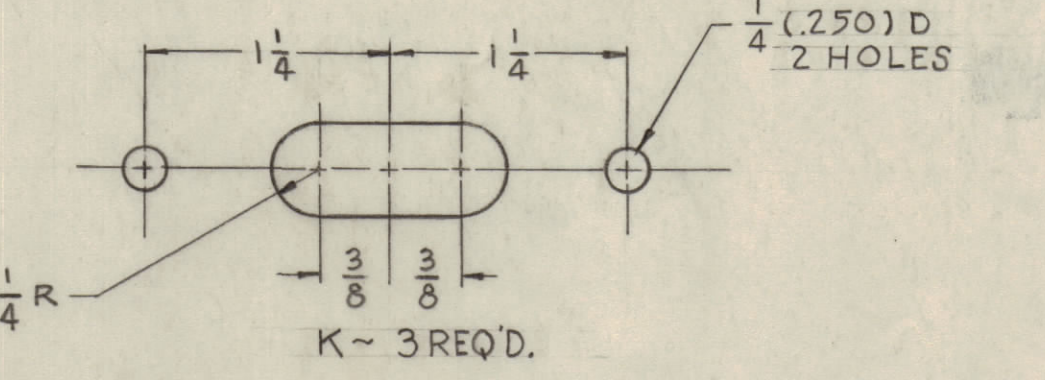
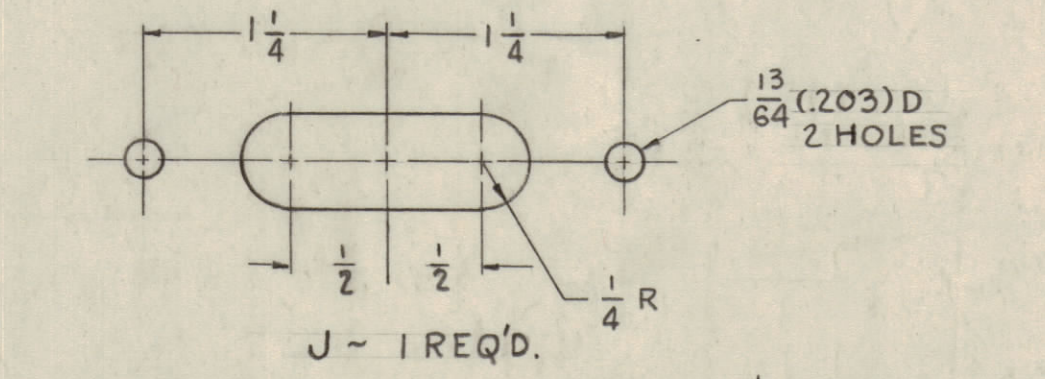
Property of:

THE TECHNICAL MATERIEL CORPORATION
 MAMARONECK, NEW YORK



HOLE LEGEND

HOLE	DIAMETER	HOLES REQ.
A	11/64 (.171) D	23
B	13/64 (.203) D	12
D	1/4 (.250) D	4
E	3/16 (.312) D	6
F	3/8 (.375) D	3
H	1/8 (.125) D	16
I	13/64 X 13/32	2 HOLES
W	3/4 (.750) D	2 HOLES



NOTE:
 HOLES LEFT OUT ON THIS VIEW, ARE SHOWN ON REAR VIEW ABOVE.

REF - TMC DWG - LD-461

ISSUE	ITEM	CHANGED FROM	DATE	DN. NO.	DRAFTS	CHECKER	ENG. APP.
D	1	REAR VIEW CLARIFIED	10/26/58	2309	MS		
C	1	NO CHANGE (ERROR)					
B	1	5/16 WAS 3/16 (ERROR)	8/15/58				
A	1	TWO "A" HOLES ADDED	1/8/58	517			

TOLERANCES:
 DEC. DIM. ± .001
 FRAG. DIM. ± √64
 ANGULAR DIM. ± 0.2°

SCALE:
 DRILL, PUNCH, COMMERCIAL STOCK SIZES AND MANUFACTURERS TOLERANCES ARE NOT INCLUDED.

REQ PER UNIT	MODEL	PROJECT NO.	ASSY. NO.	DATE
1	RTM-2			10-13-58

REQ. ITEM	PART NO.	DESCRIPTION	SYMBOL
	.081	THE TECHNICAL MATERIEL CORP. MAMARONECK, NEW YORK	
	ALUMINUM	MODULATOR CHASSIS	
	5052 H-32	J.C. BIELE	RFB
	HEAT TREAT. SPEC.	ELC. DES. APP.	MECH. DES. APP.
	S-404 YEL. IRIDITE	CHECKED	FINAL APPROVAL
	FINISH & SPEC. NO.	MS-1382	D