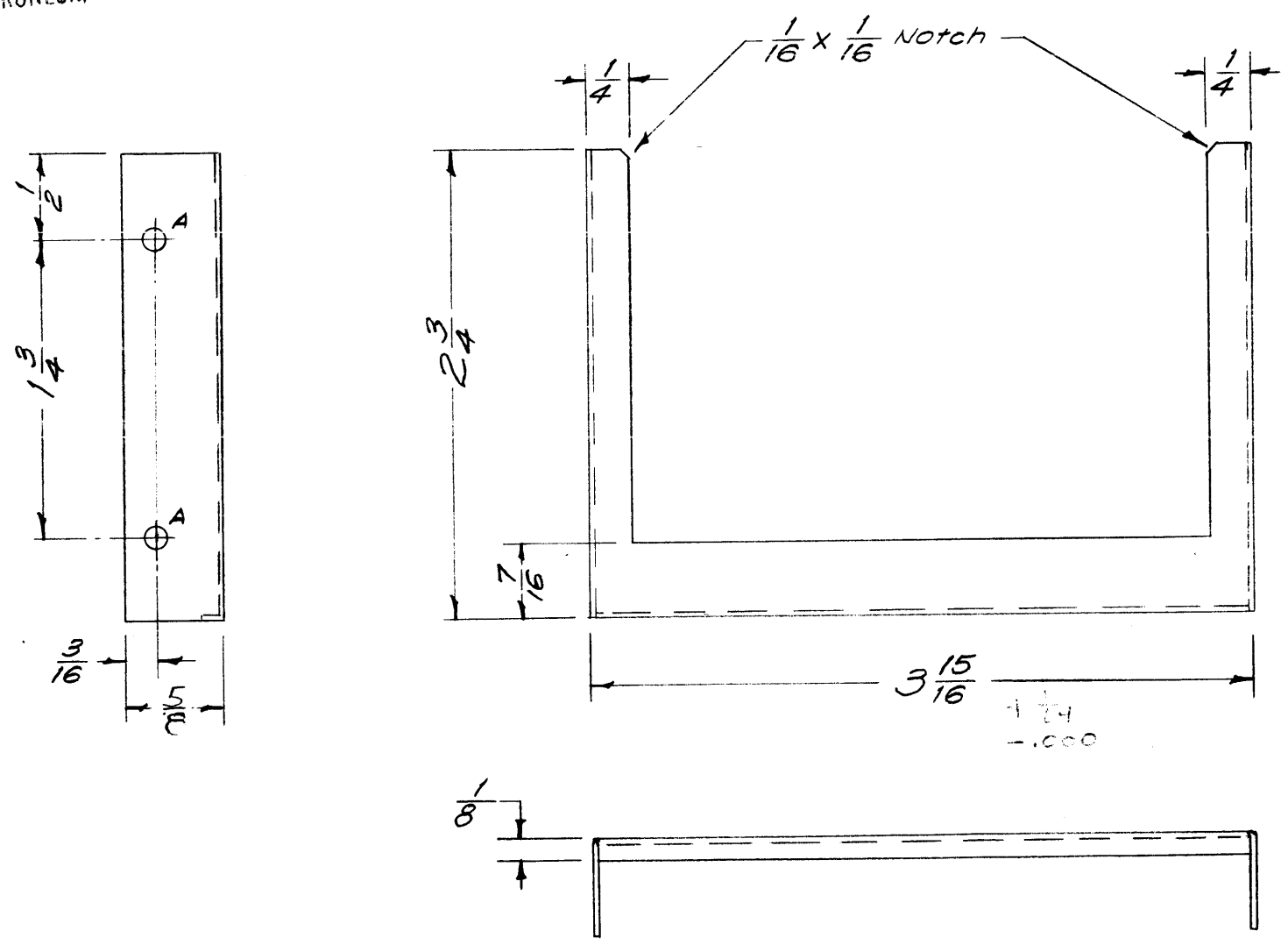


MS-1380 A

WARNING TO PERSONS RECEIVING THIS DRAWING
 THE TECHNICAL MATERIEL CORPORATION claims proprietary right in the material disclosed hereon. This drawing is issued in confidence for engineering information only and may not be reproduced or used to manufacture anything shown hereon without permission from THE TECHNICAL MATERIEL CORPORATION to the user. This drawing is loaned for mutual assistance and is subject to recall at any time.

Property of:
 THE TECHNICAL MATERIEL CORPORATION
 MAMARONECK, NEW YORK

A- $\frac{1}{8}$ (.125) D. 4 Req.



FINISH:
 S404 YELLOW IRIDITE
 S114 - Zinc Chromate Primer } All Outside
 S115 - Smooth Grey Enamel } Surfaces & Edges.

Ref: 1 LD-459

A	1	S-404 WAS S-101	12/15/59	1001	AB		EMN
ISSUE	ITEM	CHANGED FROM	DATE	CH. NO.	DRAFTS	CHECKER	ENG. APP.
TOLERANCES			SCALE: FULL				
DEC. DIM. ±			MAXIMUM ALLOWABLE TOLERANCES HAVE BEEN DETERMINED AND ANY DEVIATIONS WILL BE CAUSE FOR REJECTION.				
FRAC. DIM. ± 1/64			REMOVE ALL BURRS AND SHARP EDGES				
ANGULAR DIM. ±							

1	RSC-3			
REQ. PER UNIT	MODEL	PROJECT NO.	ASSY. NO.	DATE
USED ON				

REQ. ITEM	PART NO.	DESCRIPTION	SYMBOL
.020 THK		THE TECHNICAL MATERIEL CORP.	
STOCK SIZE		MAMARONECK, NEW YORK	
Aluminum		HOLDER, TUNING DIAL	
MATERIAL			
5052-H32		16 19/1458	
TYPE & TEMPER	HEAT TREAT. SPEC.	RE-DRAWN	CHECKED
See Finish Note			
FINISH & SPEC. NO.		ELEC. DES. APP.	MECH. DES. APP.
			MS-1380 A