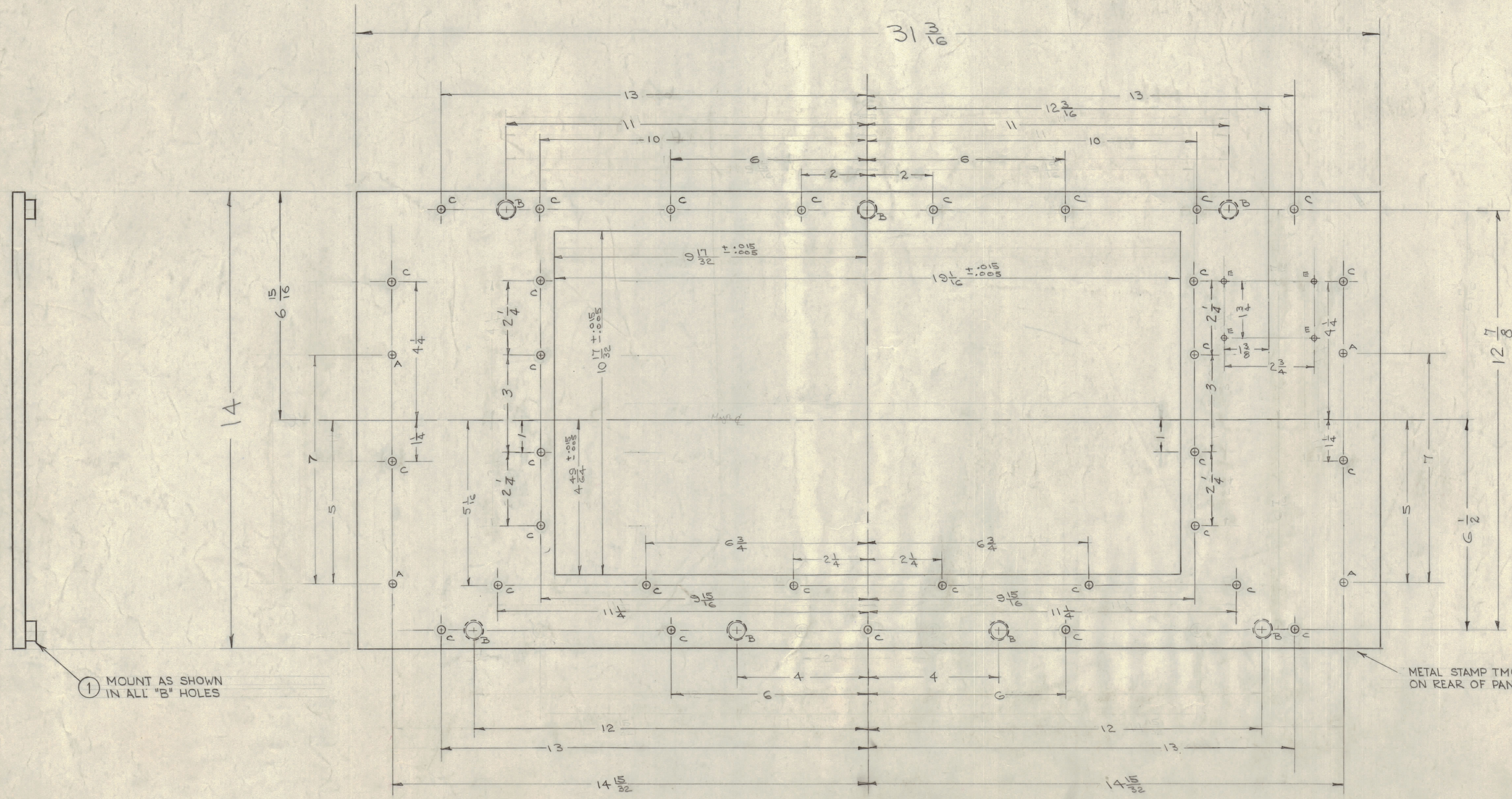


IF IT IS FOUND DESIRABLE TO CHANGE ANY TOLERANCE OR OTHER DETAIL SPECIFIED ON THIS DRAWING NOTIFY THE PURCHASER PROMPTLY.  
 MAXIMUM ALLOWABLE TOLERANCES HAVE BEEN DETERMINED AND DEVIATIONS WILL BE CAUSE FOR REJECTION. REMOVE ALL BURRS AND SHARP EDGES

NOTICE TO PERSONS RECEIVING THIS DRAWING  
 THE TECHNICAL MATERIEL CORPORATION claims proprietary right in the material disclosed hereon. This drawing is issued in confidence for engineering information only and may not be reproduced or used to manufacture anything shown hereon without permission from THE TECHNICAL MATERIEL CORPORATION to the user. This drawing is loaned for mutual assistance and is subject to recall at any time.  
 Property of:  
 THE TECHNICAL MATERIEL CORPORATION  
 MAMARONECK, NEW YORK



① MOUNT AS SHOWN IN ALL "B" HOLES

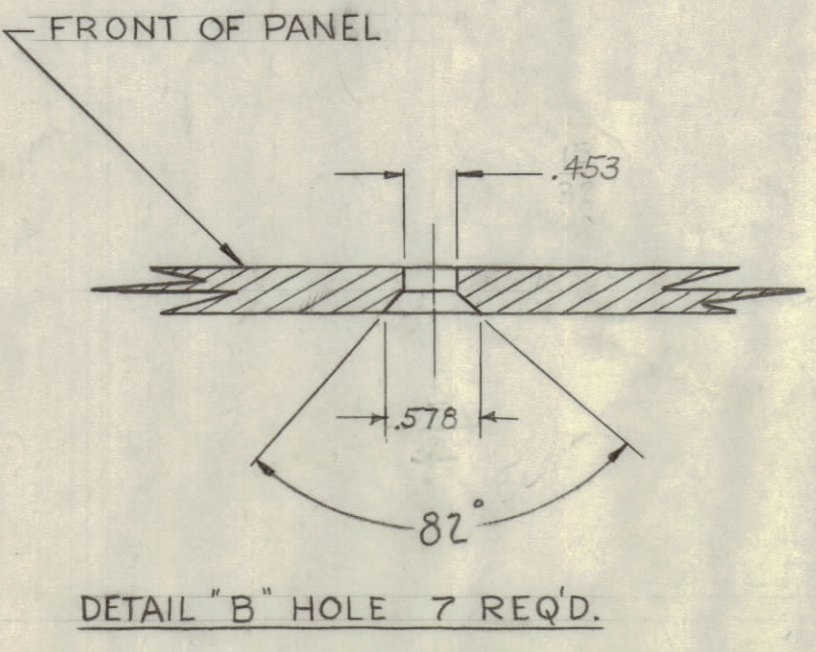
METAL STAMP TMC PART No. 1/8 HIGH GOTHIC ON REAR OF PANEL (MS-1335-C)

HOLE LEGEND

A - 13/64 D	4 REQ.
B - SEE DETAIL	7 REQ.
C - 15/64 D	31 REQ.
E - #47 DRILL	4 REQ.

- NOTE
1. LATERAL BOW OF PANEL MUST BE KEPT TO .031 TOL.
  2. HOLES MUST BE DRILLED.
  3. MILL ALL EDGES.
  4. PANEL MUST BE FREE OF ALL MACHINING MARKS, GOUGES, AND SCRATCHES. IF NECESSARY, SAND FRONT OF PANEL, WITH #120 GRIT SANDPAPER.

FINISH: FRONT & EDGES ONLY  
 S404 YELLOW IRIDITE  
 S114 ZINC CHROMATE PRIMER  
 S-115 SMOOTH GRAY ENAMEL.



REF: PM-504, PM-505, MS-1338

ISSUE	ITEM	CHANGED FROM	DATE	CN. NO.	DRAFTS	CHECKER	ENG. APP.
C	1	ITEM (1) SIDE VIEW ADDED	4-22-53	8828	HC	EMN	
B	1	5-404 VEL. IRIDITE WAS 5-101 CRUSTIC DTD .453 WAS 1/16 .578 WAS 1/16	1/9/53	1001	HC	EMN	
A	1	B HOLE CSK FROM REAR. CSK REMOVED FROM C HOLES B 15/16 DIM ADDED, DETAIL B HOLES ADDED, DEC. DIM. CHANGED TO FRAC. DIM.	10-58		J. C. B.	EMN	

SCALE: 1/2 SCALE

TOLERANCES: DEC. DIM. ± .0025  
 FRAC. DIM. ± 1/64  
 ANGULAR DIM. ±

DRILL, PUNCH, COMMERCIAL STOCK SIZES AND MANUFACTURERS TOLERANCES ARE NOT INCLUDED.

REQ. PER UNIT	MODEL	PROJECT NO.	ASSY. NO.	DATE
1	RTS-2			4-28-53
1	RTX-2	E-1041		8-12-58

REQ.	ITEM	PART NO.	DESCRIPTION	SYMBOL
7	1	NT-124	CAPTIVE INSERT	
		3/16	THE TECHNICAL MATERIEL CORP. MAMARONECK, NEW YORK	
		ALUMINUM	MACHINING FRONT PANEL	
		2020-T3	MODEL	
			TYPE & TEMPER	
			HEAT TREAT. SPEC.	
			FINISH & SPEC. NO.	

DRAWN: HC  
 ELEC. DES. APP.: EMN  
 MECH. DES. APP.: EMN  
 CHECKED: HC  
 FINAL APPROVAL: EMN  
 MS-1335 C