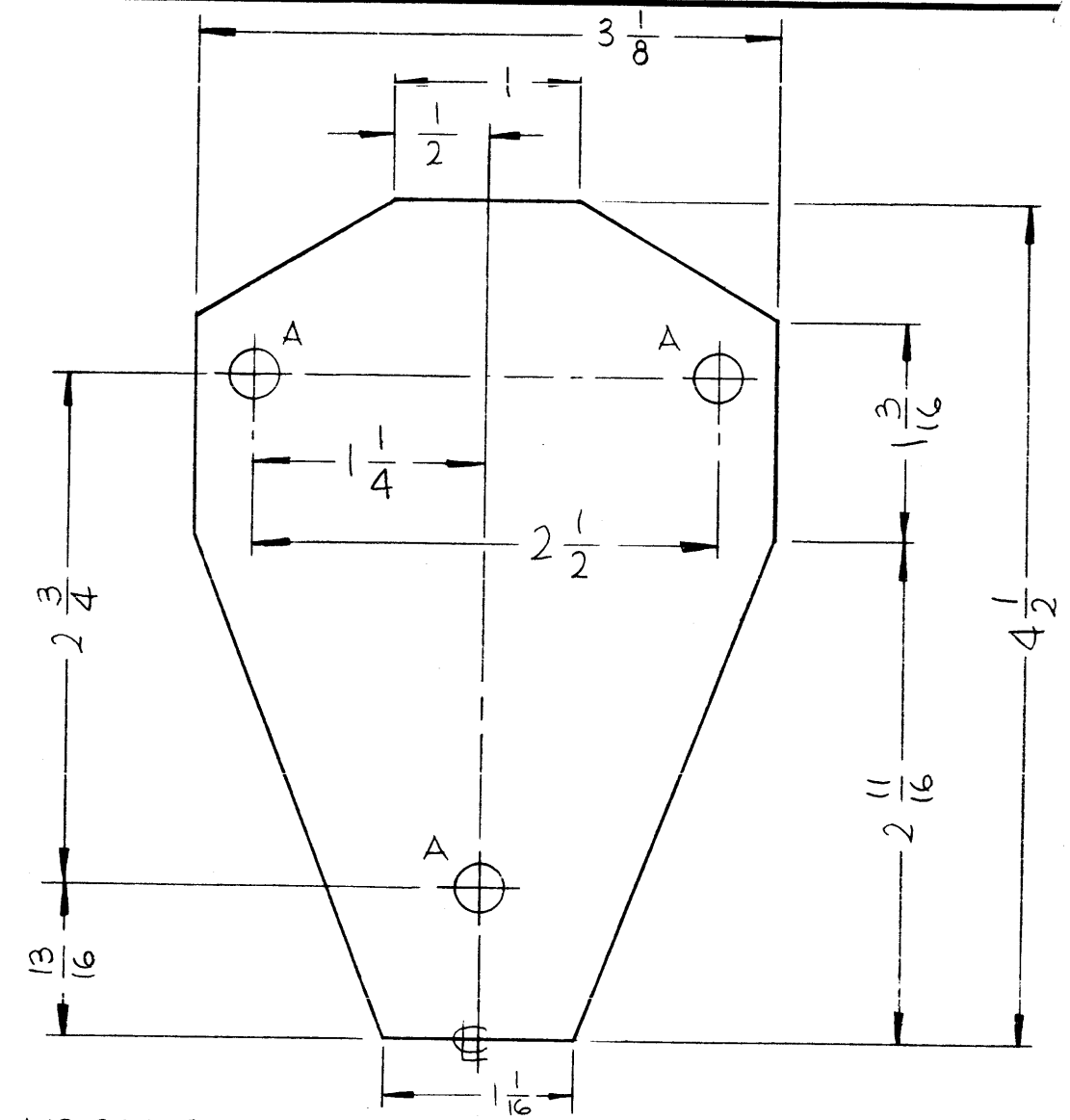
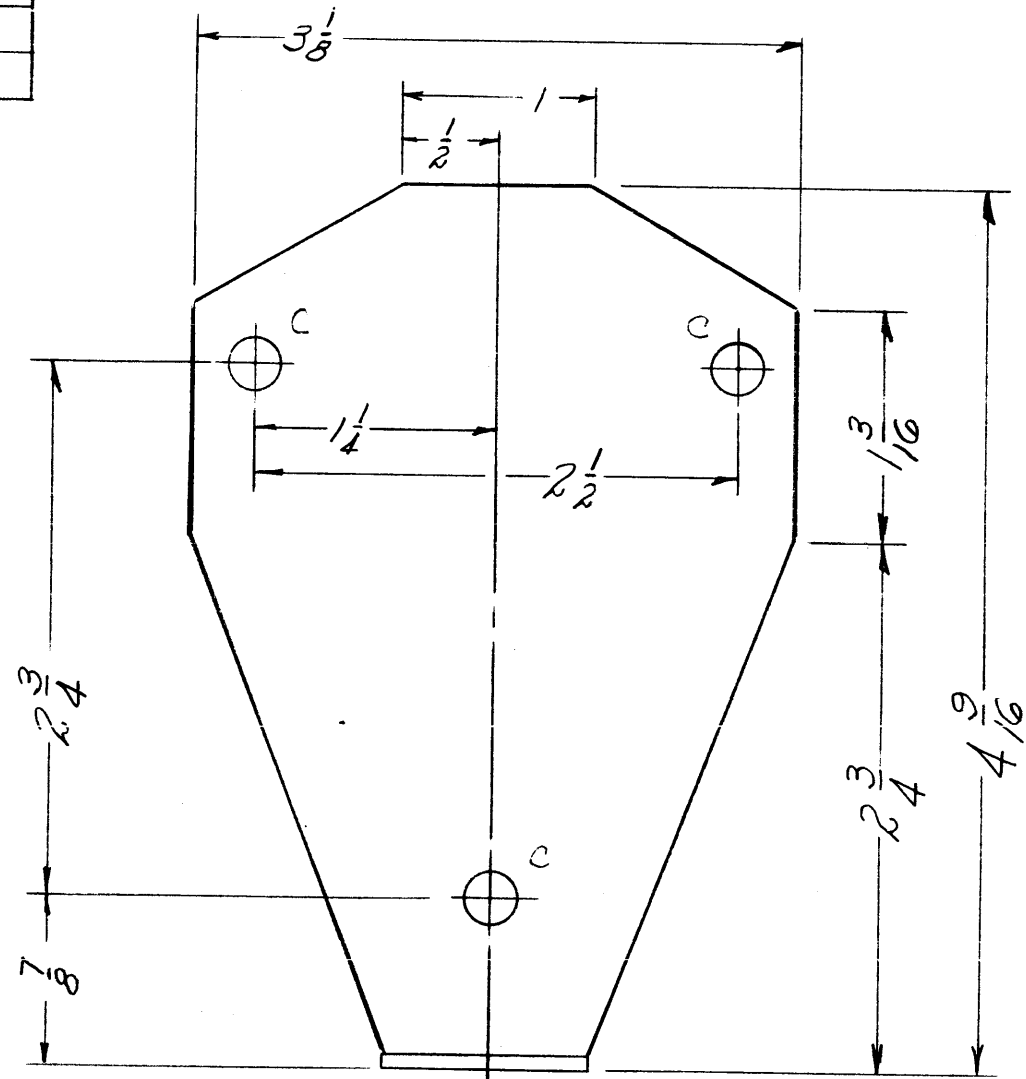
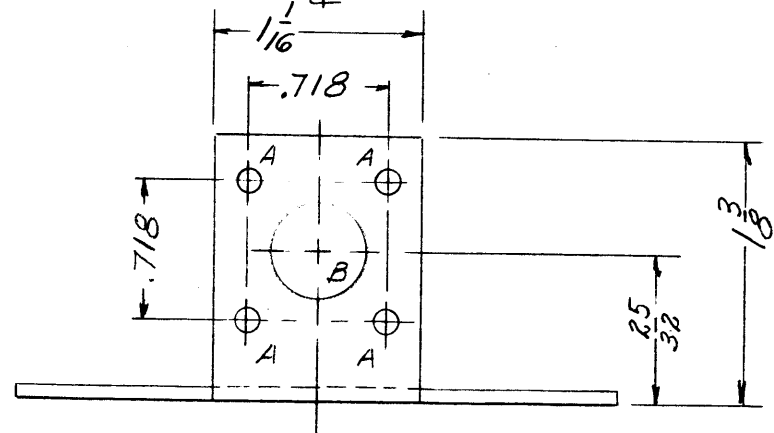


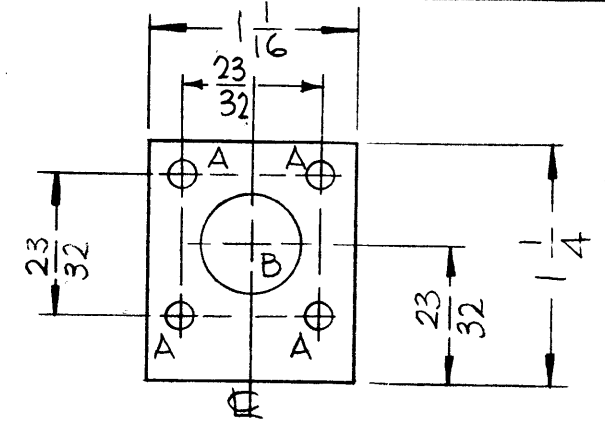
| | | | |
|----------|-------------|------------|-------------|
| P/N | A | B | C |
| MS1302 | 1/8 DIA(4) | 1/2 DIA(1) | 9/32 DIA(3) |
| MS1302-2 | 9/32 DIA(3) | — | — |
| MS1302-3 | 1/8 DIA(4) | 1/2 DIA(1) | — |



MS1302-2
MS1302-3



MS1302



NOTICE TO PERSONS RECEIVING THIS DRAWING
 THE TECHNICAL MATERIEL CORPORATION claims proprietary right in the material disclosed hereon. This drawing is issued in confidence for engineering information only and may not be reproduced or used to manufacture anything shown hereon without permission from THE TECHNICAL MATERIEL CORPORATION to the user. This drawing is loaned for mutual assistance and is subject to recall at any time.
 Property of:
THE TECHNICAL MATERIEL CORPORATION
 MAMARONECK, NEW YORK

| | | | | | | | |
|-------------------|------|--------------------|---|---------|--------|---------|-----------|
| ISSUE | ITEM | CHANGED FROM | DATE | CH. NO. | DRAFTS | CHECKER | ENG. APP. |
| B | | MS1302-2 & -3 ADD. | 11-2-66 | 17112 | WFO | JLB | MMK |
| A | 1 | S-404 WAS S-101 | 12/14/59 | 1001 | AB | | EMN |
| TOLERANCES | | | SCALE: FULL SIZE | | | | |
| DEC. DIM. ± | | | MAXIMUM ALLOWABLE TOLERANCES HAVE BEEN DETERMINED AND ANY DEVIATIONS WILL BE CAUSE FOR REJECTION. | | | | |
| FRAC. DIM. ± 1/64 | | | REMOVE ALL BURRS AND SHARP EDGES | | | | |
| ANGULAR DIM. ± | | | | | | | |

| | | | |
|---------------|--------|-------------|------------|
| 1 | DAC-10 | A-1437 | 8/1/57 |
| REQ. PER UNIT | MODEL | PROJECT NO. | ASS'Y. NO. |
| | | | DATE |
| USED ON | | | |

| | | | |
|----------------------|-------------------|--|-------------------------|
| REQ. ITEM | PART NO. | DESCRIPTION | SYMBOL |
| .064 THICK | | THE TECHNICAL MATERIEL CORP. MAMARONECK, NEW YORK | PLATE, TRANSFORMER MTG. |
| STOCK SIZE | | | |
| ALUMINUM | | MODEL DAC-10 | |
| MATERIAL | | | |
| 5052-H32 | OTO | 8/1/57 | JLB |
| TYPE & TEMPER | HEAT TREAT. SPEC. | DRAWN | CHECKED |
| S-404 YELLOW IRIDITE | | | |
| FINISH & SPEC. NO. | ELEC. DES. APP. | MECH. DES. APP. | MS-1302 B |