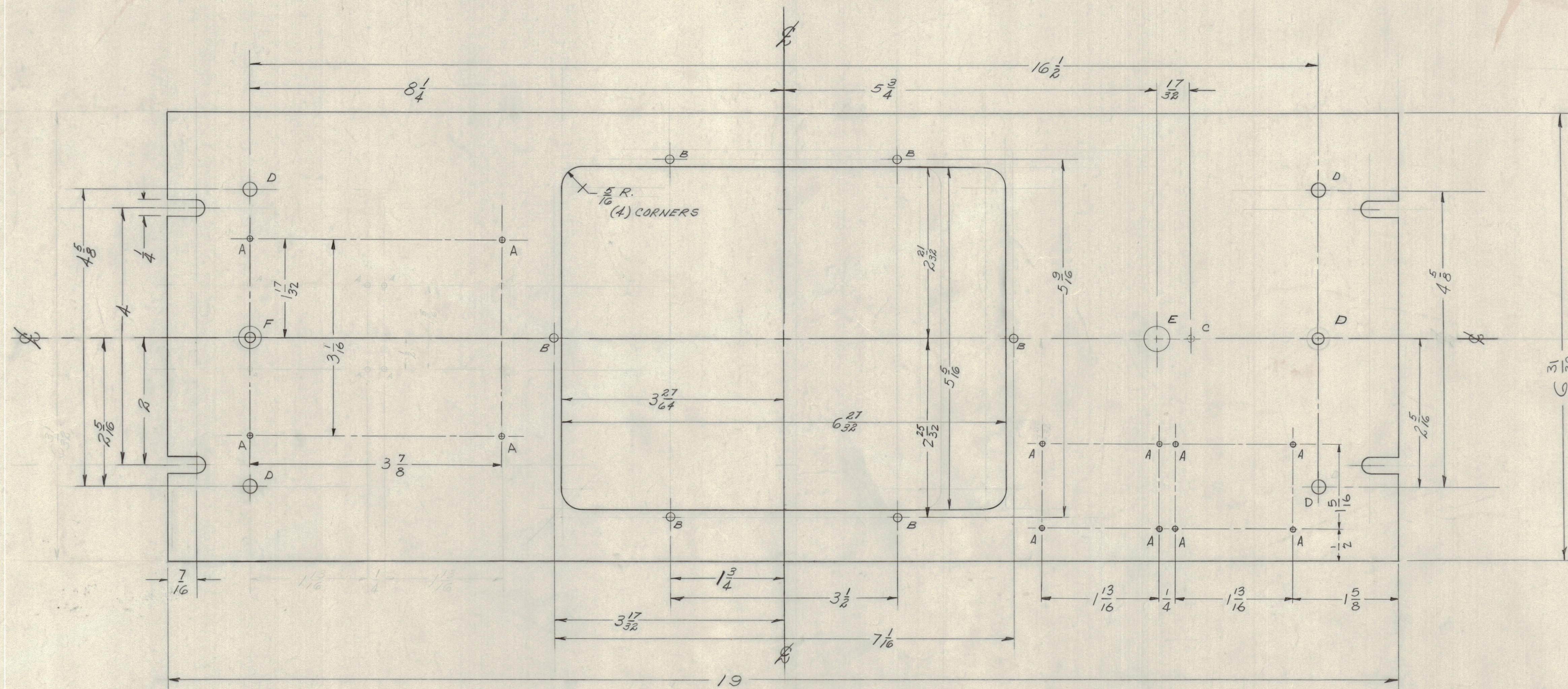
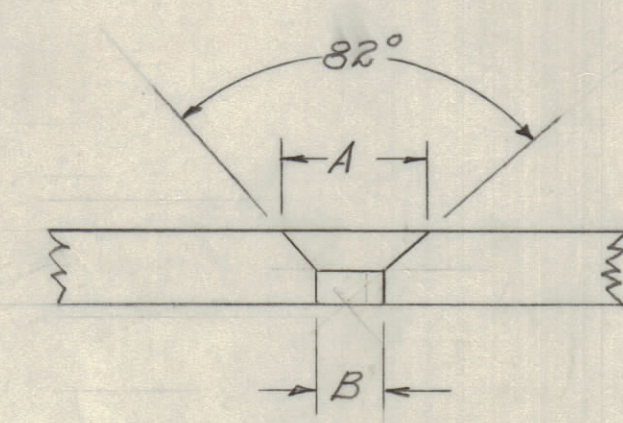


IF IT IS FOUND DESIRABLE TO CHANGE ANY TOLERANCE OR OTHER DETAIL SPECIFIED ON THIS DRAWING NOTIFY THE PURCHASER PROMPTLY.
 MAXIMUM ALLOWABLE TOLERANCES HAVE BEEN DETERMINED AND DEVIATIONS WILL BE CAUSE FOR REJECTION. REMOVE ALL BURRS AND SHARP EDGES

NOTICE TO PERSONS RECEIVING THIS DRAWING
 THE TECHNICAL MATERIEL CORPORATION claims proprietary right in the material disclosed hereon. This drawing is issued in confidence for engineering information only and may not be reproduced or used to manufacture anything shown herein without permission from THE TECHNICAL MATERIEL CORPORATION to the user. This drawing is loaned for mutual assistance and is subject to recall at any time.
 Property of:
 THE TECHNICAL MATERIEL CORPORATION
 MAMARONECK, NEW YORK



- A - NO. 47 DRILL (.078) DIA. 12 REQ.
- B - 1/8 (.125) DIA. 6 REQ.
- C - 1/8 (.125) DIA. X 1/8 DEEP 1 REQ.
DRILL FROM REAR
- D - 13/64 (.203) DIA. 5 REQ.
- E - 13/32 (.406) DIA. 1 REQ.
- F - DRILL 5/8" SINK FOR 8-32 F.H.S. 1 REQ.
SEE DETAIL AT RIGHT



DIM.	8-32 F.H.S.
A	.337
B	*18 (.169)

FINISH -
 S-404 YELLOW IRIDITE
 S114 ZINC CHROMATE PRIMER } FRONT & EDGES ONLY
 S115 SMOOTH GREY ENAMEL }
 (OR PRIME & PAINT TO CUST. SPEC.)

- NOTES:
1. LATERAL BOW OF PANEL MUST BE KEPT TO .031 TOL.
 2. HOLES MUST BE DRILLED
 3. MILL ALL EDGES
 4. ALL THREADED HOLES & HOLE DIA. MUST BE HELD AFTER ETCHING.

REF - LD-376

C	1	ONE 'F' HOLE CHANGED TO 'D'	12/64	13223	JCB	JCB	JCB
B	1	S-404 YEL IRIDITE WAS S-101 CAUSTIC DIP	12/64	1001	ALB	ALB	EMN
A	2	2 1/4" HOLES ADDED	2/4/59	760	JCB	JCB	JCB
	1	NAMEPLATE HOLES RELOCATED					
ISSUE	ITEM	CHANGED FROM	DATE	CN. NO. DRAFTS	CHECKER	ENG. APP.	
TOLERANCES		SCALE:					
ALL OTHERS	DEC. DIM. ± FRAC. DIM. ± ANGULAR DIM. ±	DRILL PUNCH, COMMERCIAL STOCK SIZES AND MANUFACTURERS TOLERANCES ARE NOT INCLUDED.					

1	SWR-10K RM			12-9-64	
1	SWR-3000 RM			5-20-58	
REQ PER UNIT	MODEL	PROJECT NO.	ASS'Y. NO.	DATE	
	USED ON				

REQ. ITEM	PART NO.	DESCRIPTION	SYMBOL
	3/16 THICK	THE TECHNICAL MATERIEL CORP. MAMARONECK, NEW YORK	
	ALUMINUM	FRONT PANEL	
	2024-T3	SWR-3000 RM	
		5-20-58	
		JCB	
		MECH. DES. APP.	
		HEAT TREAT. SPEC.	
		CHECKED	
		FINAL APPROVAL	
			MS-1266 C

MS-1266 C