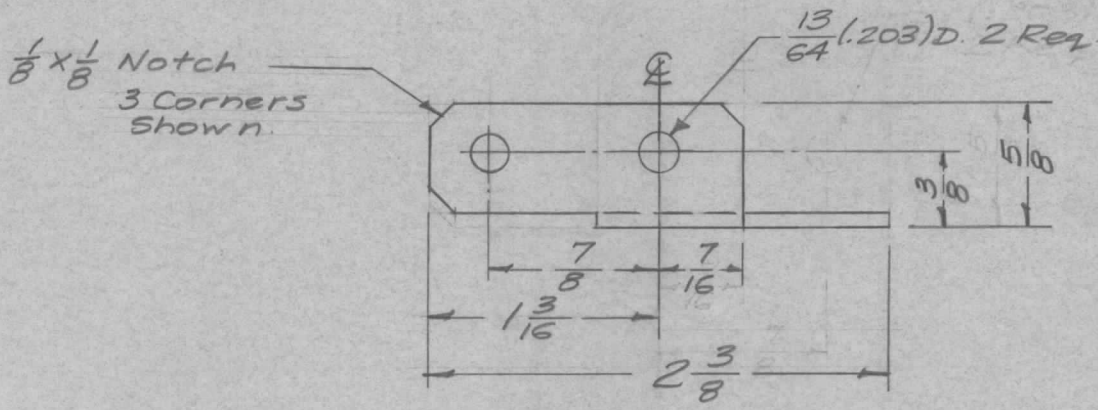
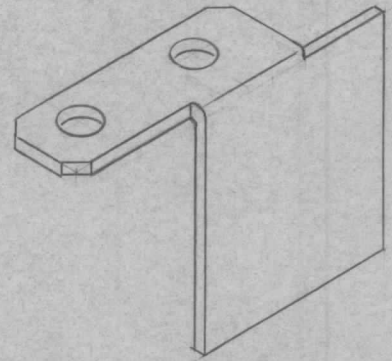
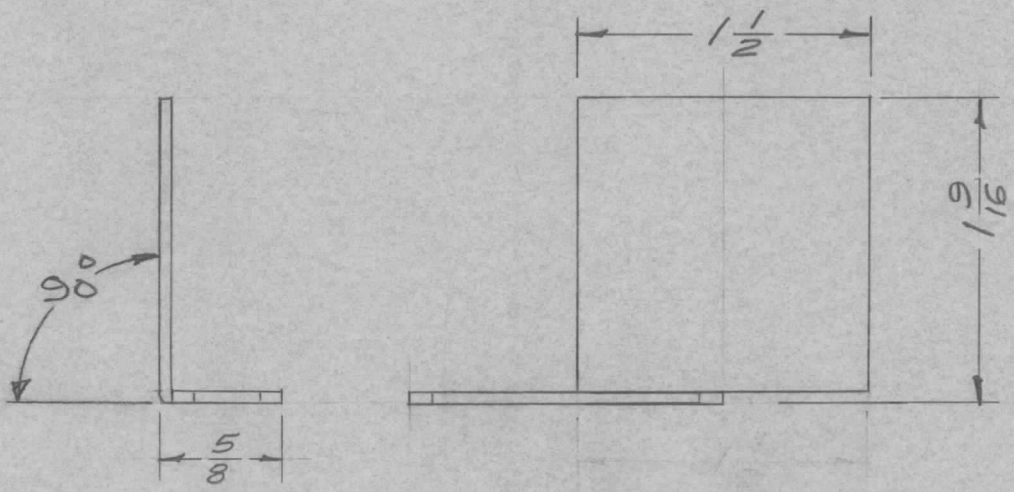



REQ. PER UNIT	USED ON			MS-1263	B
	MODEL	ASS'Y. NO.	DATE		
			5-17-58		



Deleted from RFA-1 5-27-58 - Replaced by MS-1272

ISSUE ITEM	CHANGED FROM	DATE	CH. NO.	DRAFTS	CHECKER	ENG. APP.	REQ. ITEM	PART NO.	DESCRIPTION	SYMBOL		
								.064 THK.	THE TECHNICAL MATERIEL CORP. MAMARONECK, NEW YORK			
B 1	5404 Y-IRIDITE WAS S101-CAUSTIC DIP	12-8 59	100	P		EMM		STOCK SIZE	PLATE, FIXED,			
A 1	COMPLETE REVISION (WAS )	5/21/58	1	file		AW		ALUMINUM	NEUTRALIZING CAPACITOR			
TOLERANCES		SCALE: FULL						5052-H32	16 5/17/58	file	EMM	
DEC. DIM. ±		MAXIMUM ALLOWABLE TOLERANCES HAVE BEEN DETERMINED AND ANY DEVIATIONS WILL BE CAUSE FOR REJECTION. REMOVE ALL BURRS AND SHARP EDGES						TYPE & TEMPER	HEAT TREAT. SPEC.	DRAWN	CHECKED	FINAL APPROVAL
FRAC. DIM. ± 1/64												5404 Y-EL. IRIDITE
ANGULAR DIM. ± 1/2°							FINISH & SPEC. NO.		ELEC. DES. APP.	MECH. DES. APP.	B	