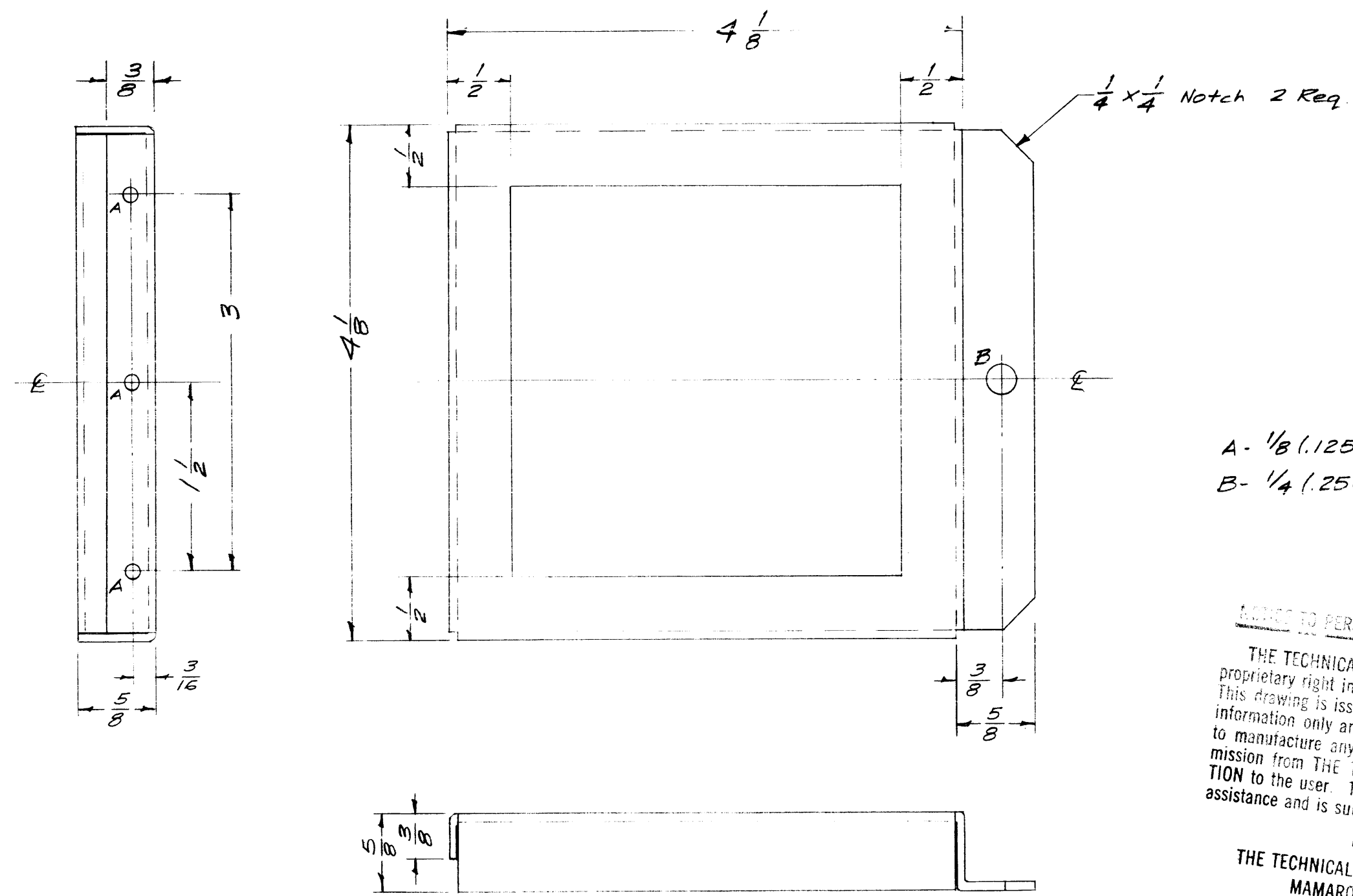


MS-1248 B



A - 1/8 (.125) D. 3 Req.
 B - 1/4 (.250) D. 1 Req.

NOTICE TO PERSONS RECEIVING THIS DRAWING
 THE TECHNICAL MATERIEL CORPORATION claims proprietary right in the material disclosed hereon. This drawing is issued in confidence for engineering information only and may not be reproduced or used to manufacture anything shown hereon without permission from THE TECHNICAL MATERIEL CORPORATION to the user. This drawing is loaned for mutual assistance and is subject to recall at any time.
 Property of:
 THE TECHNICAL MATERIEL CORPORATION
 MAMARONECK, NEW YORK

ISSUE	ITEM	CHANGED FROM	DATE	CH. NO.	DRAFTS	CHECKER	ENG. APP.
B	1	S-404 WAS S-101	12/14/59	1001	ARB		EMN
A	1	LIP WAS 5/8" - cut down to 3/8"	6/2/58	1	LG		<i>[Signature]</i>
TOLERANCES		SCALE: FULL					
DEC. DIM. ±		MAXIMUM ALLOWABLE TOLERANCES HAVE BEEN DETERMINED AND ANY DEVIATIONS WILL BE CAUSE FOR REJECTION.					
FRAC. DIM. ± 1/64		REMOVE ALL BURRS AND SHARP EDGES					
ANGULAR DIM. ±							

REQ. PER UNIT	MODEL	PROJECT NO.	ASS'Y. NO.	DATE
1	RFA-1	PAL-350	A-1538 (2)	5-12-58
USED ON				

REQ. ITEM	PART NO.	DESCRIPTION	SYMBOL
	.064 THK.	THE TECHNICAL MATERIEL CORP. MAMARONECK, NEW YORK	
	STOCK SIZE		
	ALUMINUM	COVER, AIR FILTER	
	MATERIAL		
5052-H32		5 5/12/58	<i>[Signature]</i>
	TYPE & TEMPER	DRAWN	CHECKED
	HEAT TREAT. SPEC.		
S-404 YELLOW IRIDITE		<i>[Signature]</i>	
	FINISH & SPEC. NO.	ELEC. DES. APP.	MECH. DES. APP.
		MS-1248	B