

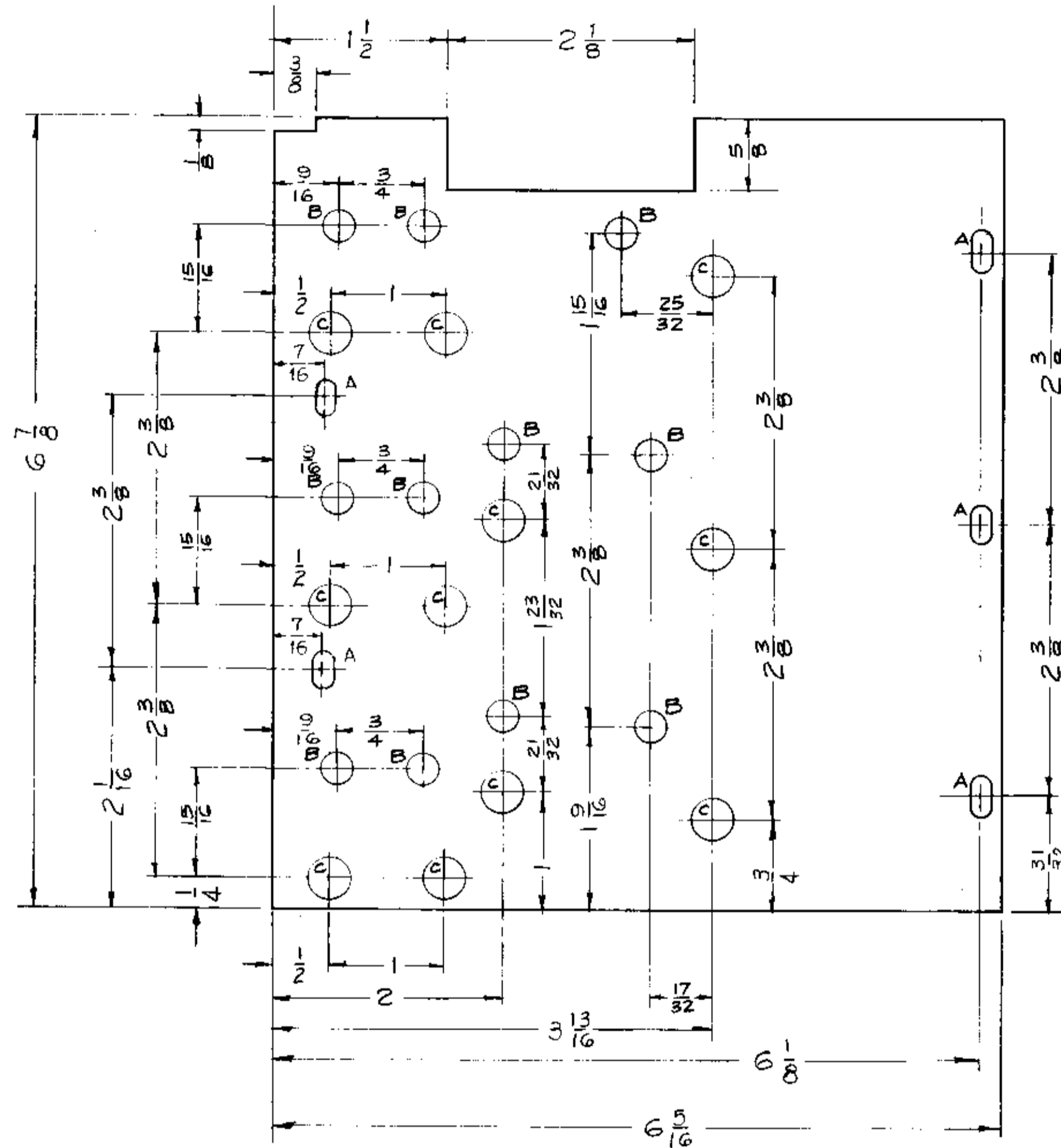
IF IT IS FOUND DESIRABLE TO CHANGE ANY TOLERANCE OR OTHER DETAIL SPECIFIED ON THIS DRAWING NOTIFY THE PURCHASER PROMPTLY.

MAXIMUM ALLOWABLE TOLERANCES HAVE BEEN DETERMINED AND DEVIATIONS WILL BE CAUSE FOR REJECTION. REMOVE ALL BURRS AND SHARP EDGES

NOTICE TO PERSONS RECEIVING THIS DRAWING

THE TECHNICAL MATERIEL CORPORATION claims proprietary right in the material disclosed hereon. This drawing is issued in confidence for engineering information only and may not be reproduced or used to manufacture anything shown hereon without permission from THE TECHNICAL MATERIEL CORPORATION to the user. This drawing is loaned for mutual assistance and is subject to recall at any time.

Property of:
THE TECHNICAL MATERIEL CORPORATION
MAMARONECK, NEW YORK



- A - 1/64 x 1/32 SLOT 5 REQ.
- B - 9/32 (.281) DIAM. 11 REQ.
- C - 7/16 (.437) DIAM. 11 REQ.

MS-1212 D

ISSUE ITEM	CHANGED FROM	DATE	CN. NO.	DRAFTS	CHECKER	ENG. APP.
D 1	'A' SLOTS WERE 3/16 HOLES	9-7-60	2934	RU	JCB	EMV
C 1	5404 1/8 DIA. WAS 5/16 DIA. CAULT'S BIP	12-3-58	1001	J		EMV
B 1	7/16 (.437) DIA WAS 3/8 (.375) DIA	10-14-58	477	J.C.B.	AK	EMV
A 1	LENGTH & WIDTH WAS 7/8 & 1/2 DIA. CHGD TO AGREE	4/4/58	445	AK	JCB	EMV

TOLERANCES		SCALE: FULL
ALL OTHERS	DEC. DIM. ± FRAC. DIM. ± 1/64 ANGULAR DIM. ±	DRILL, PUNCH, COMMERCIAL STOCK SIZES AND MANUFACTURERS TOLERANCES ARE NOT INCLUDED.

UNLESS OTHERWISE SPECIFIED
DIMENSIONS ARE IN INCHES AND INCLUDE
DIMENSIONAL APPLIED TO PLATED DIMENSIONS

MATERIALS	TOLERANCES	FRACTIONS
1/16 ± .001	1/32 ± .001	1/64 ± .001
3/32 ± .001	1/16 ± .001	3/64 ± .001
1/4 ± .001	3/16 ± .001	1/8 ± .001
5/16 ± .001	1/2 ± .001	3/4 ± .001
3/4 ± .001	1 ± .001	1 1/2 ± .001

DEC. DIM. ± .001

REQ. PER UNIT	MODEL	PROJECT NO.	ASSY. NO.	DATE
1	SBE-3	SBE-2	AS-101	11-25-58
1	A-1516			3-20-58

Ref: 4LD-388 (Stamping)

REQ. ITEM	PART NO.	DESCRIPTION	SYMBOL
	.051 THK.	THE TECHNICAL MATERIEL CORP. MAMARONECK, NEW YORK	
	STOCK SIZE		
	Aluminum	COVER, RF SECTION, BOTTOM	
	MATERIAL	WEIGHT PER PC	
	5052-H32		
	TYPE & TEMPER	16 3/20/58	
	HEAT TREAT. SPEC.		
	FINISH & SPEC. NO.	5404 YEL-IRIDITE	

MS-1212 D